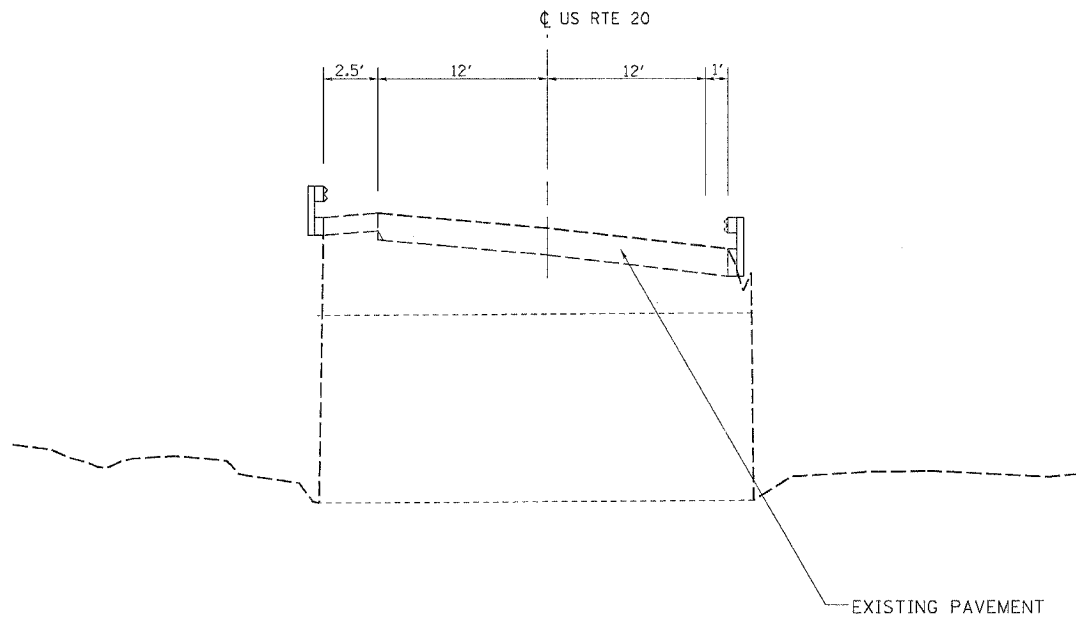
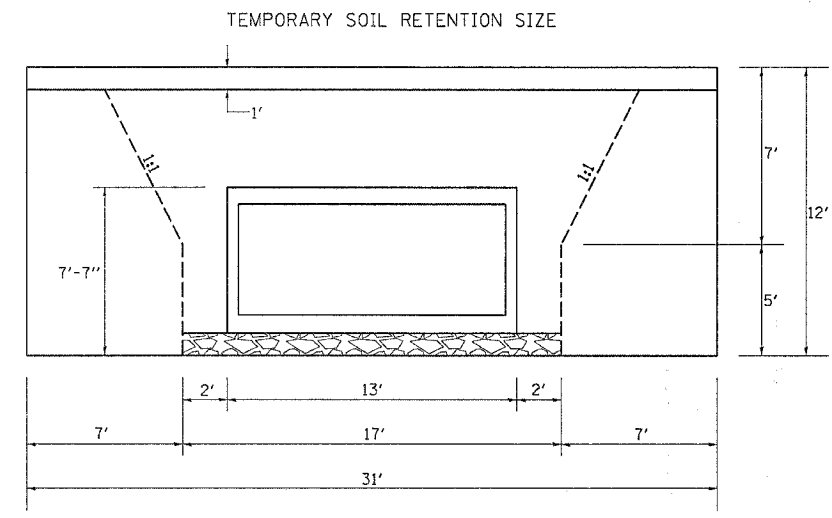


F.A.P. RTE.	SECTION	COUNTY	TOTAL SHEETS	SHEET NO.
301	21T-1	STEPHENSON	64	15
STA.		TO STA.		
FED. ROAD DIST. NO.		ILLINOIS FED. AID PROJECT		

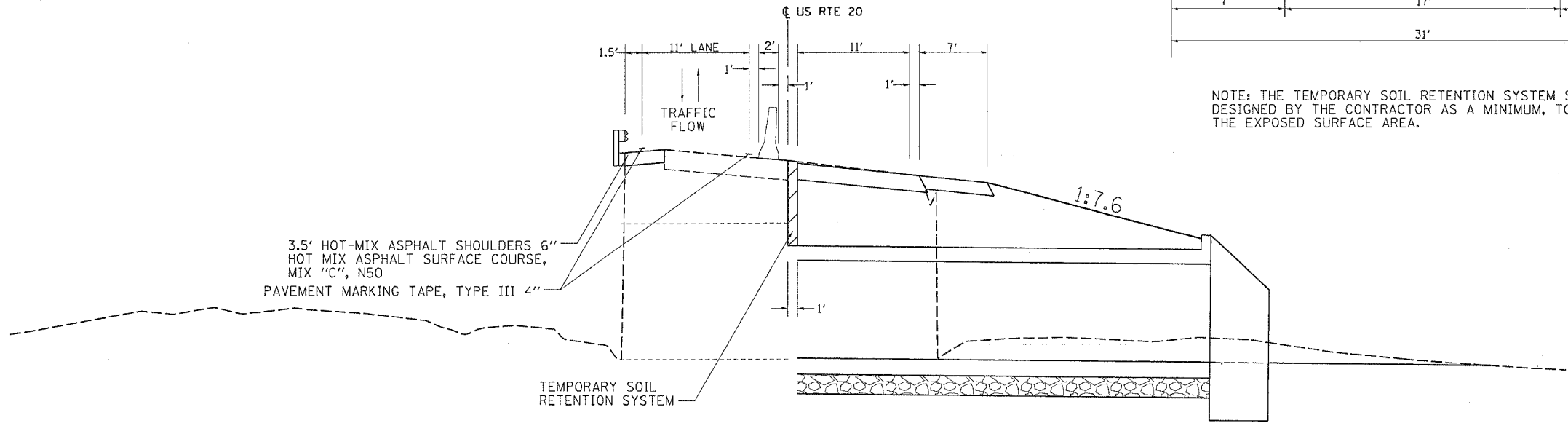
STAGING TYPICALS



EXISTING



NOTE: THE TEMPORARY SOIL RETENTION SYSTEM SHALL BE DESIGNED BY THE CONTRACTOR AS A MINIMUM, TO RETAIN THE EXPOSED SURFACE AREA.



STAGE I

PLOT DATE = Mon Dec 11 09:11:45 2006
 FILE NAME = s:\projects\64b48\211105\staging\staging.dgn
 USER NAME = jerryj

REVISIONS		ILLINOIS DEPARTMENT OF TRANSPORTATION
NAME	DATE	
		SCALE: VERT. _____ HORIZ. _____ DATE _____
DRAWN BY _____		CHECKED BY _____