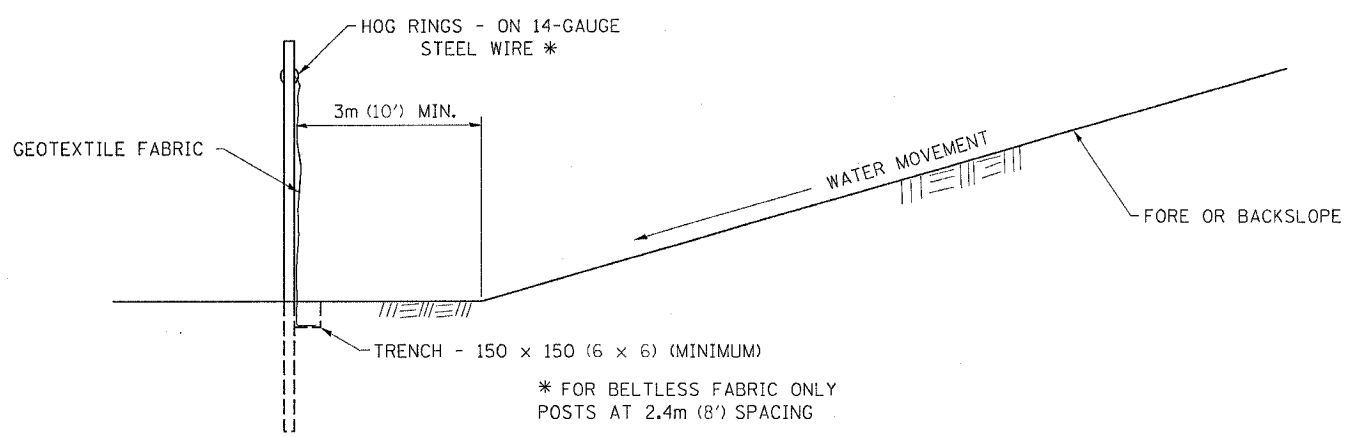
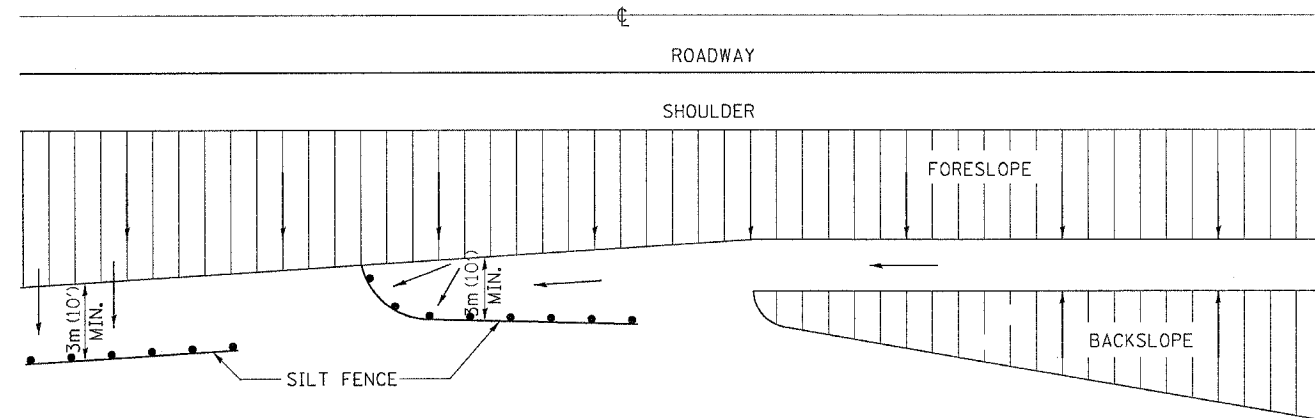


# EROSION CONTROL DETAILS FOR SILT FENCE



DETAILS OF SILT FENCE

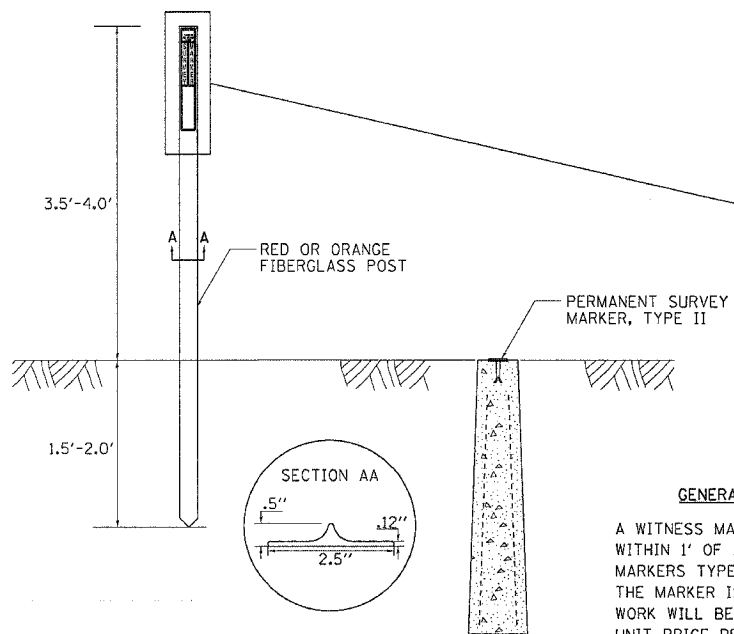
ALL DIMENSIONS ARE IN MILLIMETERS (INCHES) UNLESS OTHERWISE NOTED.

REVISED 10-22-01

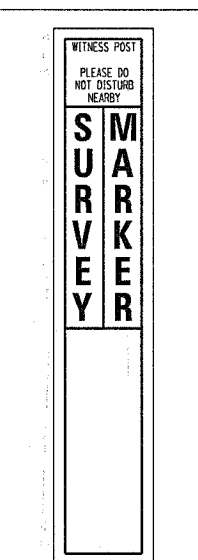
PLOT DATE = Mon Dec 11 09:44:18 2006  
 FILE NAME = c:\pwworkspace\211185\dl1105p1.dgn  
 PLOT SCALE = 1:1  
 REFERENCE = REF1

# WITNESS MARKER FOR PERMANENT SURVEY MARKERS, TYPE II

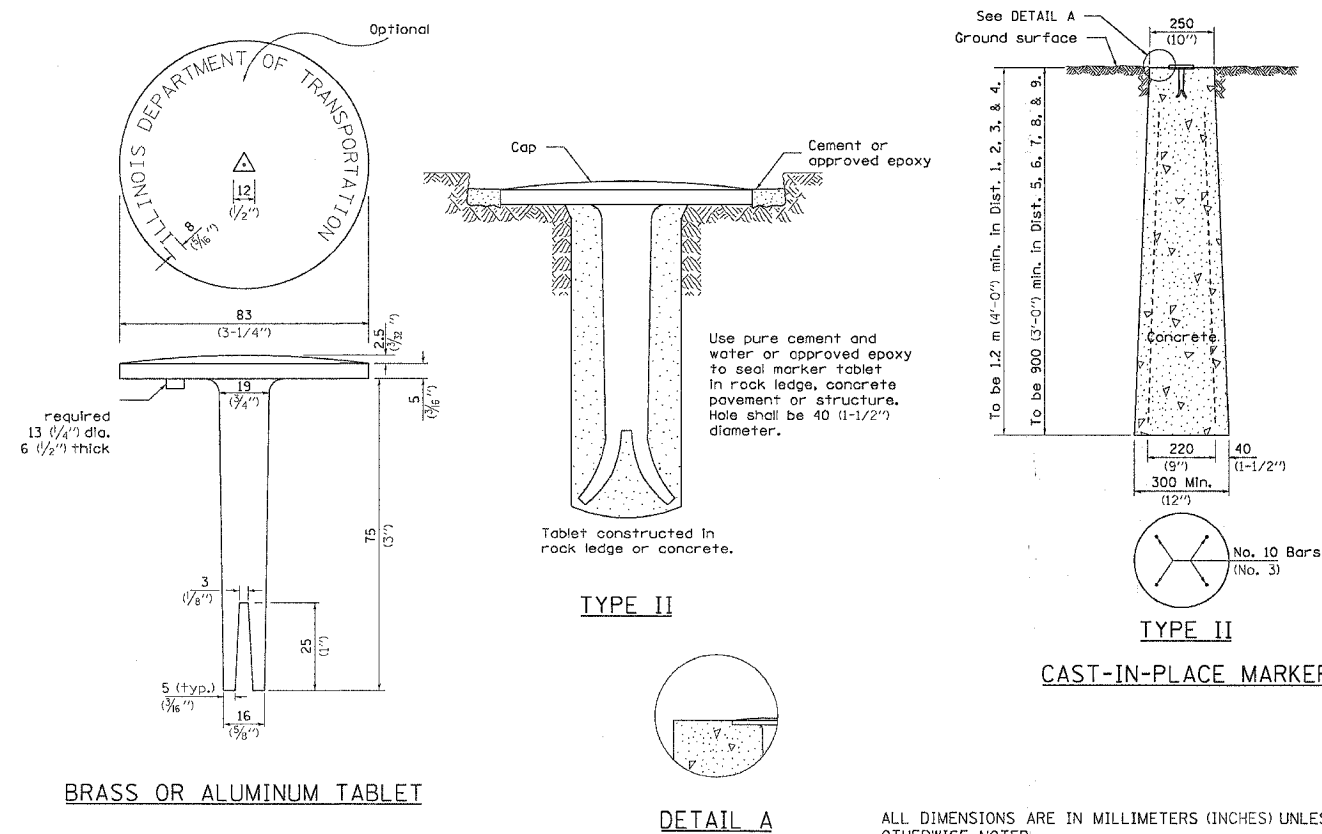
CONTRACT NO. 64B48				
F.A.P. RTE.	SECTION	COUNTY	TOTAL SHEETS	SHEET NO.
301	21T-1	STEPHENSON	64	40
STA.		TO STA.		
FED. ROAD DIST. NO.	ILLINOIS	FED. AID PROJECT		



**GENERAL NOTES**  
 A WITNESS MARKER SHALL BE INSTALLED WITHIN 1' OF ALL PERMANENT SURVEY MARKERS TYPE II EXCEPT IN AREAS WHERE THE MARKER IS IN THE SIDEWALK. THIS WORK WILL BE INCLUDED TO THE CONTRACT UNIT PRICE PER EACH FOR PERMANENT SURVEY MARKERS, TYPE II.



# PERMANENT SURVEY MARKERS, TYPE II



BRASS OR ALUMINUM TABLET

TYPE II

DETAIL A

CAST-IN-PLACE MARKER

ALL DIMENSIONS ARE IN MILLIMETERS (INCHES) UNLESS OTHERWISE NOTED.

REVISED 6-26-06