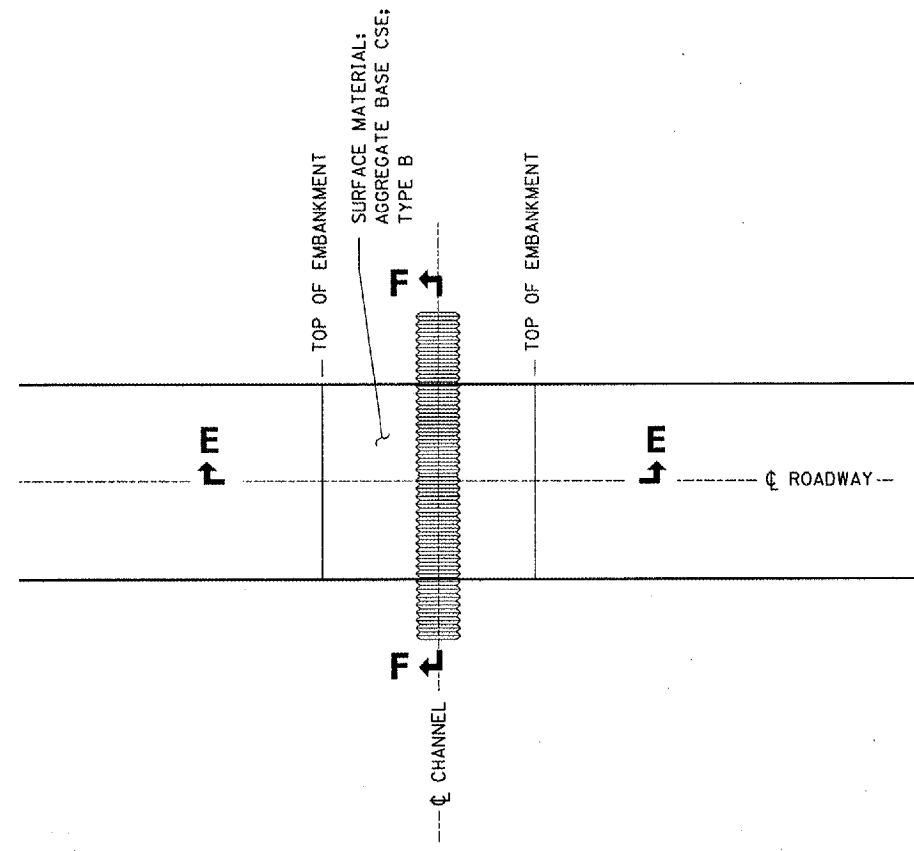
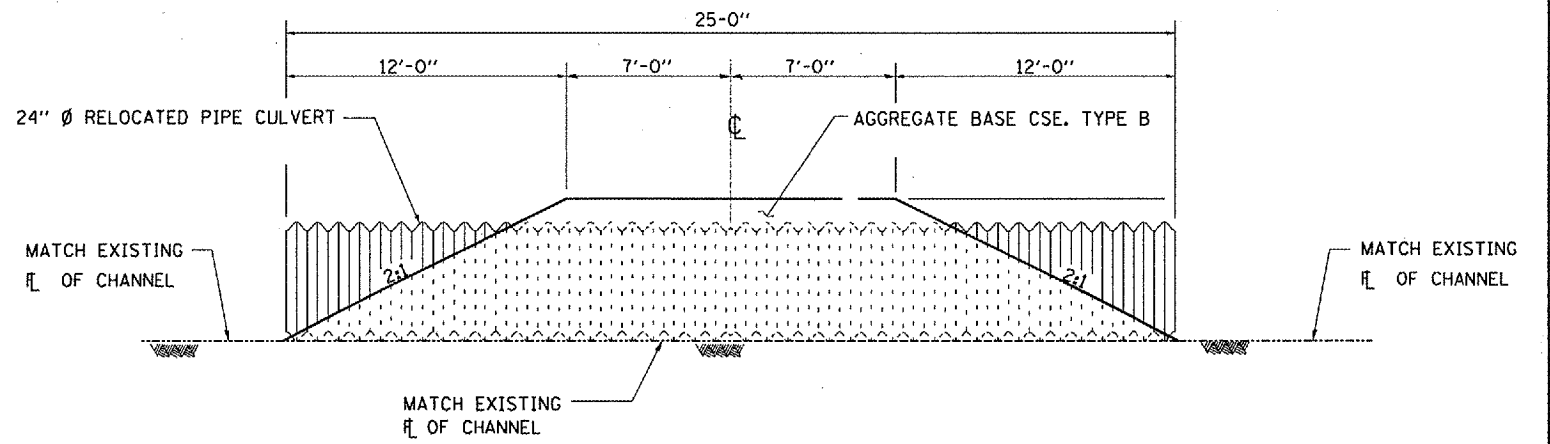


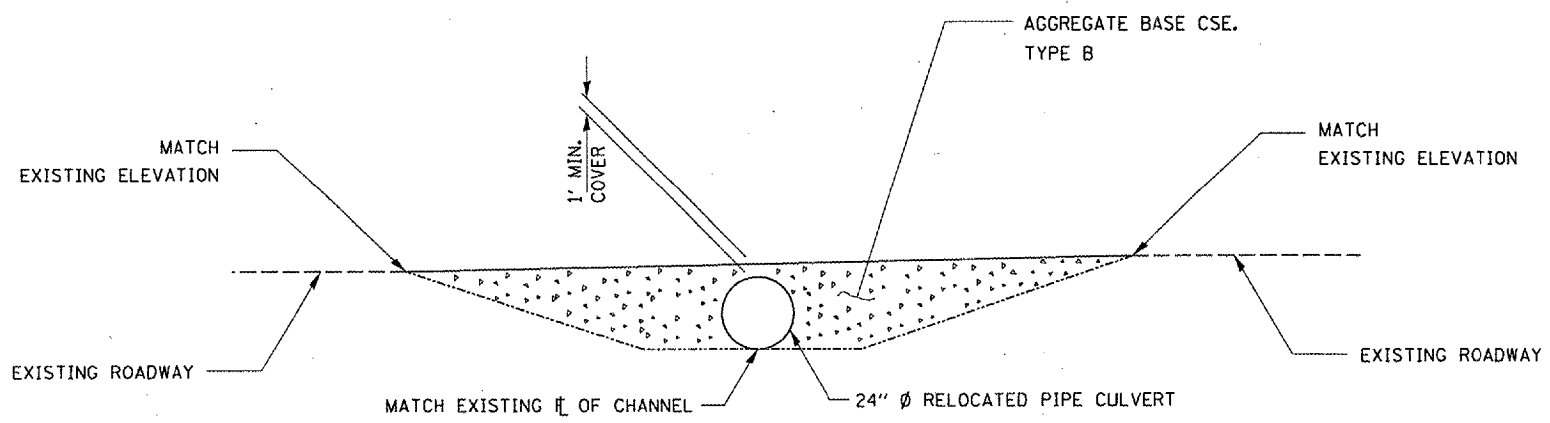
F.A.P. RTE.	SECTION	COUNTY	TOTAL SHEETS	SHEET NO.
326	(111)I-3	GRUNDY	8	8
FED. ROAD DIST. NO.		ILLINOIS	NON-FED. AID PROJECT	



**PLAN**



**SECTION F-F**



**SECTION E-E**

**NOTES:**

THE CONTRACTOR SHALL VERIFY WITH THE ENGINEER EXACT LOCATIONS OF FIELD ENTRANCES PRIOR TO ORDERING OF MATERIALS.

THE CONTRACTOR MAY ADJUST DIMENSIONS AS SHOWN TO FIT FIELD CONDITIONS AT TIME OF CONSTRUCTION. ALL ADJUSTMENTS SHALL BE APPROVED BY THE ENGINEER.

REVISIONS	
NAME	DATE

ILLINOIS DEPARTMENT OF TRANSPORTATION  
**RELOCATED PIPE CULVERT  
 DETAILS**  
 FAP ROUTE 326 (IL 47)  
 SECTION: (111)I-3  
 GRUNDY COUNTY  
 MORRIS WETLANDS

Date: January 6, 2007  
 c:/projects/ed01907/details.dgn