

F.A.P. RTE.	SECTION	COUNTY	TOTAL SHEETS	SHEET NO.
326	(111)I-3	GRUNDY	8	1

STATE OF ILLINOIS  
DEPARTMENT OF TRANSPORTATION  
DIVISION OF HIGHWAYS  
**PROPOSED  
HIGHWAY PLANS**

F.A.P. ROUTE 326 (IL ROUTE 47)  
SECTION (111)I-3

**GRUNDY COUNTY  
WETLAND MAINTENANCE**

C-93-032-07

INDEX OF SHEETS

1. COVER SHEET
2. GENERAL NOTES
3. SUMMARY OF QUANTITIES
4. SCHEDULES
5. WETLANDS SITE MAP
6. LOW WATER CROSSING LOCATION 3A
7. LOW WATER CROSSING LOCATION 3B
8. RELOCATED PIPE CULVERT DETAILS

STANDARDS

- 000001-04 STANDARD SYMBOLS, ABBREVIATIONS AND PATTERNS
- 701101-01 OFF-ROAD OPERATIONS MULTILANE, 4.5 m (15') TO 600 mm (24") FROM PAVEMENT EDGE
- 701106-01 OFF-ROAD OPERATIONS, MULTILANE, MORE THAN 4.5 m (15') AWAY
- 702001-06 TRAFFIC CONTROL DEVICES

MICROFILMED \_\_\_\_\_  
REEL NUMBER \_\_\_\_\_  
AWARDED \_\_\_\_\_  
RESIDENT ENGINEER \_\_\_\_\_  
AS BUILT CHANGES WERE MADE  
ON THE FOLLOWING SHEETS \_\_\_\_\_

**J.U.L.I.E.**  
JOINT UTILITY LOCATION INFORMATION FOR EXCAVATION  
1-800-892-0123

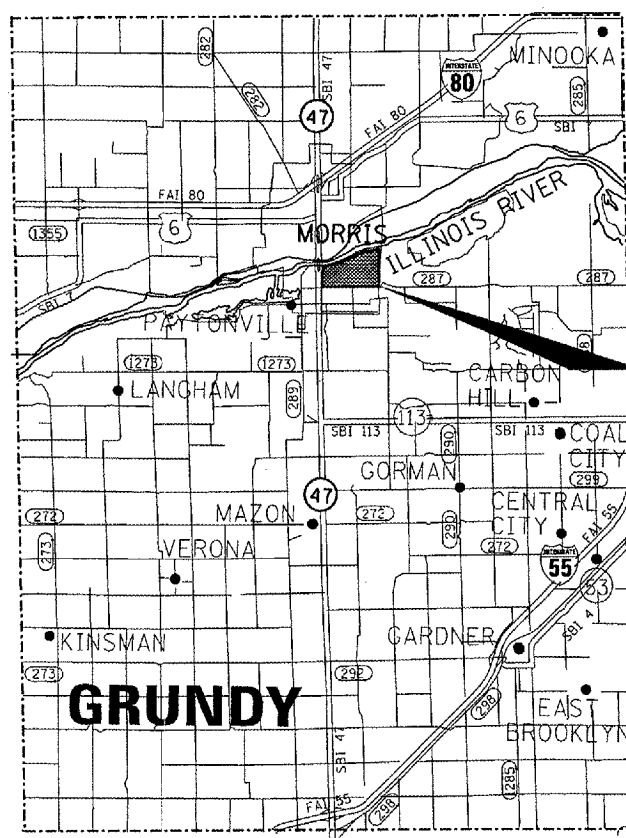
**DISTRICT 3 NO. (815) 434-6131**

**PROJECT ENGINEER: JOE KANNEL (815) 434-8420**

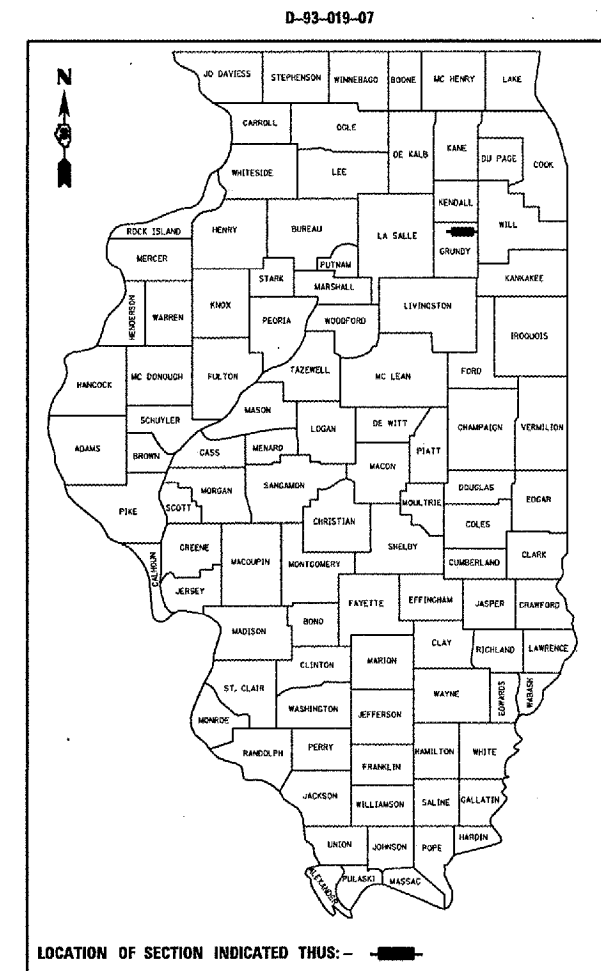
**UNIT CHIEF: RON WOODSHANK (815) 434-8419**

**TOWNSHIP: WAUPONSEE**

**CONTRACT NO. 66702**



**LOCATION MAP**  
NOT TO SCALE



LOCATION OF SECTION INDICATED THUS: - [thick black line] -

**FUNCTIONAL CLASSIFICATION**  
URBAN: OTHER PRINCIPAL ARTERIAL  
FAP ROUTE 326 (IL ROUTE 47)  
2005 ADT = 19200  
P.V = 87.0%    M.U. = 5.5%    S.U. = 7.5%

STATE OF ILLINOIS  
DEPARTMENT OF TRANSPORTATION  
DIVISION OF HIGHWAYS

SUBMITTED 2-12-07  
Dean O'Keefe  
DEPUTY DIRECTOR OF HIGHWAYS, REGION ENGINEER

March 23, 2007  
Eric E. Hamm  
INTERIM ENGINEER OF DESIGN AND ENVIRONMENT

March 23, 2007  
Milton R. Sees P.E.  
DIRECTOR OF HIGHWAYS/CHIEF ENGINEER

**PRINTED BY THE AUTHORITY  
OF THE STATE OF ILLINOIS**

F.A.P. RTE.	SECTION	COUNTY	TOTAL SHEETS	SHEET NO.
326	(111)-3	GRUNDY	8	2
FED. ROAD DIST. NO.		ILLINOIS	NON-FED. AID PROJECT	

GENERAL NOTES

PLAN DIMENSIONS AND DETAILS RELATIVE TO EXISTING ROADWAY OR STRUCTURE HAVE BEEN TAKEN FROM EXISTING PLANS AND ARE SUBJECT TO NOMINAL CONSTRUCTION VARIATIONS. IT SHALL BE THE CONTRACTOR'S RESPONSIBILITY TO VERIFY SUCH DIMENSIONS AND DETAILS IN THE FIELD AND TO MAKE NECESSARY APPROVED ADJUSTMENTS PRIOR TO CONSTRUCTION OR ORDERING OF MATERIALS. SUCH VARIATIONS SHALL NOT BE CAUSE FOR ADDITIONAL COMPENSATION FOR A CHANGE IN THE SCOPE OF THE WORK, HOWEVER, THE CONTRACTOR WILL BE PAID FOR THE QUANTITY ACTUALLY FURNISHED AT THE UNIT BID FOR THE WORK.

THE CONTRACTOR SHALL BE RESPONSIBLE FOR PROTECTING UTILITY PROPERTY FROM CONSTRUCTION OPERATIONS AS OUTLINED IN ARTICLE 107.31 OF THE STANDARD SPECIFICATIONS. THE "JULIE" NUMBER IS 1-800-892-0123. A MINIMUM OF FORTY-EIGHT (48) HOURS ADVANCE NOTICE IS REQUIRED.

THE COST OF ANY SAW CUTS MADE TO COMPLETE THE WORK AS DESCRIBED IN PLAN DETAILS, UNLESS OTHERWISE NOTED SHALL NOT BE PAID FOR SEPARATELY BUT SHALL BE INCLUDED WITH THE VARIOUS PAY REMOVAL PAY ITEMS INVOLVED.

WHERE SECTION OR SUBSECTION MONUMENTS ARE ENCOUNTERED, THE ENGINEER SHALL BE NOTIFIED BEFORE SUCH MONUMENTS ARE REMOVED. THE CONTRACTOR SHALL PROTECT AND CAREFULLY PRESERVE ALL MONUMENTS UNTIL AN AUTHORIZED SURVEYOR OR AGENT HAS WITNESSED OR OTHERWISE REFERENCED THEIR LOCATION. THE CONTRACTOR SHALL BE RESPONSIBLE FOR HAVING AN AUTHORIZED SURVEYOR REESTABLISH ANY SECTION OR SUBSECTION MONUMENTS DESTROYED BY HIS OPERATIONS.

ABANDONED UNDERGROUND UTILITIES THAT CONFLICT WITH CONSTRUCTION SHALL BE DISPOSED OF OUTSIDE THE LIMITS OF THE RIGHT OF WAY ACCORDING TO ARTICLE 202.03 OF THE STANDARD SPECIFICATIONS AND AS DIRECTED BY THE ENGINEER.

BEFORE ORDERING PIPE CULVERTS OR PIPE DRAINS, THE CONTRACTOR SHALL CONSULT THE ENGINEER FOR EXACT LENGTHS.

ALL ELEVATIONS REFERRING TO U.S.G.S. MEAN SEA LEVEL DATUM.

ANY REFERENCE TO A STANDARD IN THESE PLANS SHALL BE INTERPRETED TO MEAN THE EDITION AS INDICATED BY THE SUBNUMBER LISTED ON THE INDEX OF SHEETS OR THE COPY OF THE STANDARD INCLUDED IN THESE PLANS.

THE FOLLOWING RATES OF APPLICATION HAVE BEEN USED IN CALCULATING PLAN QUANTITIES:

GRANULAR MATERIALS	2.05	TONS / CU YD
--------------------	------	--------------

DATE:

2-13-07

PREPARED BY:

*R. Paul*

DISTRICT STUDIES & PLANS ENGINEER

EXAMINED BY:

*Herb Jung*

DISTRICT CONSTRUCTION ENGINEER

*Mark*

DISTRICT MATERIALS ENGINEER

*Bruce A. Huber*

DISTRICT OPERATIONS ENGINEER

REVISIONS	
NAME	DATE

ILLINOIS DEPARTMENT OF TRANSPORTATION

**GENERAL NOTES**  
**FAP ROUTE 326 (IL 47)**  
**SECTION: (111)-3**  
**GRUNDY COUNTY**  
**MORRIS WETLANDS**

Date: January 6, 2007  
 c:/projects/ed01907/details.dgn

F.A.P. RTE.	SECTION	COUNTY	TOTAL SHEETS	SHEET NO.
326	(111)-3	GRUNDY	8	3
FED. ROAD DIST. NO.	ILLINOIS	NON-FED. AID PROJECT		

# SUMMARY OF QUANTITIES

CONSTRUCTION CODE TYPE: Y003

100% STATE  
URBAN  
TOTAL  
QUANTITY

CODE NO.	ITEM	UNIT	QUANTITY
35101400	AGGREGATE BASE COURSE, TYPE B	TON	1200
42000100	PORTLAND CEMENT CONCRETE PAVEMENT 6"	SQ YD	1016
42001200	PAVEMENT FABRIC	SQ YD	1016
50105225	PIPE CULVERT REMOVAL (SPECIAL)	FOOT	50
542D0259	PIPE CULVERTS, CLASS D, TYPE 1 54"	FOOT	76
67100100	MOBILIZATION	L SUM	1
K0012950	HERBICIDE SPRAYING	ACRE	10
K1003660	MOWING CYCLES	EACH	2

Date: January 6, 2007  
c:/projects/ed01907/details.dgn

REVISIONS	
NAME	DATE

ILLINOIS DEPARTMENT OF TRANSPORTATION  
**SUMMARY OF QUANTITIES**  
FAP ROUTE 326 (IL 47)  
SECTION: (111)-3  
GRUNDY COUNTY  
MORRIS WETLANDS

F.A.P. RTE.	SECTION	COUNTY	TOTAL SHEETS	SHEET NO.
326	(111)I-3	GRUNDY	8	4
FED. ROAD DIST. NO.	ILLINOIS	NON-FED. AID PROJECT		

### LOW WATER CROSSING SCHEDULE

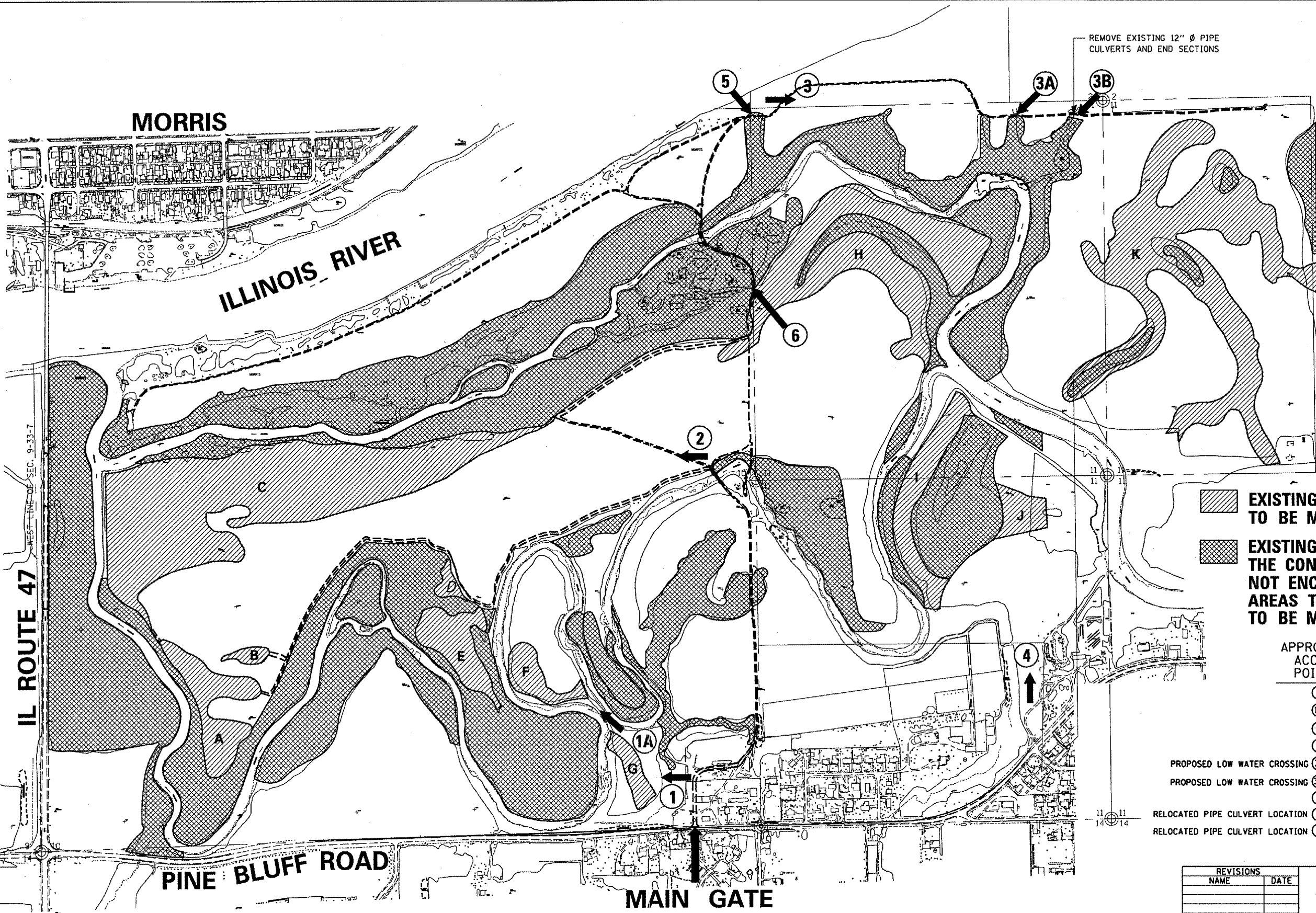
LOCATION	PIPE CULVERT REMOVAL (SPECIAL)	PIPE CULVERT CLASS D TYPE 1, 54"	AGGREGATE BASE CSE TYPE B	PAVEMENT FABRIC	PORTLAND CEMENT CONCRETE PAVEMENT 6"
	FOOT	FOOT	TON	SQ YD	SQ YD
3A		38	418	469	469
3B	50	38	607	547	547
TOTAL	50	76	1025	1016	1016


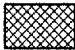
Date: January 6, 2007  
c:/projects/ed01907/details.dgn

REVISIONS	
NAME	DATE

ILLINOIS DEPARTMENT OF TRANSPORTATION  
**SUMMARY OF QUANTITIES**  
FAP ROUTE 326 (IL 47)  
SECTION: (111)I-3  
GRUNDY COUNTY  
MORRIS WETLANDS

F.A.P. RTE.	SECTION	COUNTY	TOTAL SHEETS	SHEET NO.
326	(111)I-3	GRUNDY	8	5
FED. ROAD DIST. NO.		ILLINOIS	NON-FED. AID PROJECT	



 EXISTING WETLAND AREAS TO BE MOWED AND SPRAYED  
 EXISTING WETLAND AREAS THE CONTRACTOR SHALL NOT ENCROACH ON WETLAND AREAS THAT ARE NOT DESIGNATED TO BE MOWED OR SPRAYED.

APPROXIMATE ACCESS POINTS	FIELDS ACCESSIBLE
①	G
①A	F
②	A,B,C,D,E
③	K
PROPOSED LOW WATER CROSSING ③A	K
PROPOSED LOW WATER CROSSING ③B	K
④	I,J
RELOCATED PIPE CULVERT LOCATION ⑤	
RELOCATED PIPE CULVERT LOCATION ⑥	

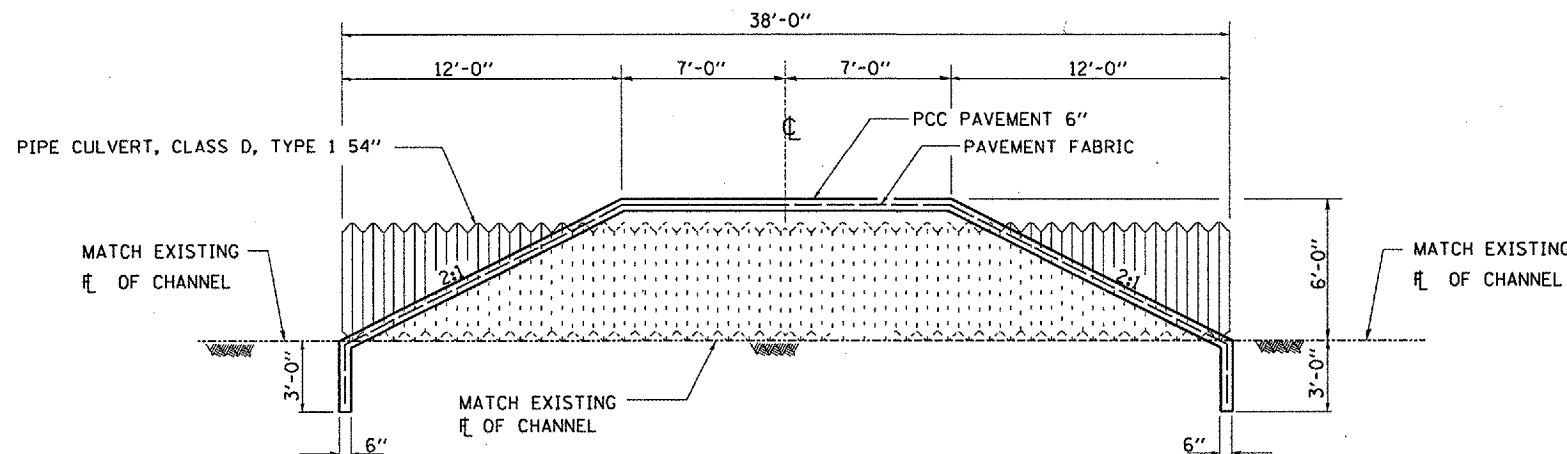
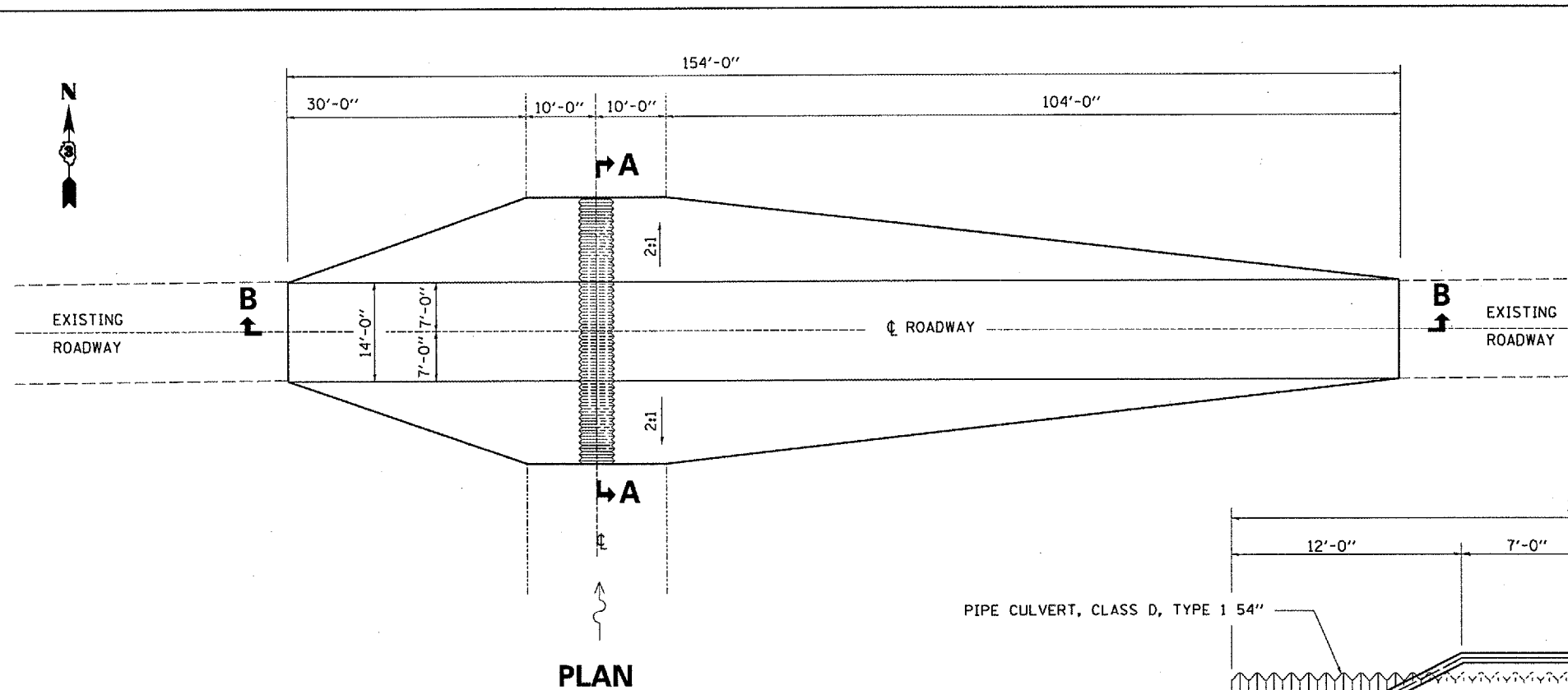
REVISIONS	
NAME	DATE

ILLINOIS DEPARTMENT OF TRANSPORTATION  
**WETLANDS SITE MAP**  
 FAP ROUTE 326 (IL 47)  
 SECTION: (111)I-3  
 GRUNDY COUNTY  
 MORRIS WETLANDS

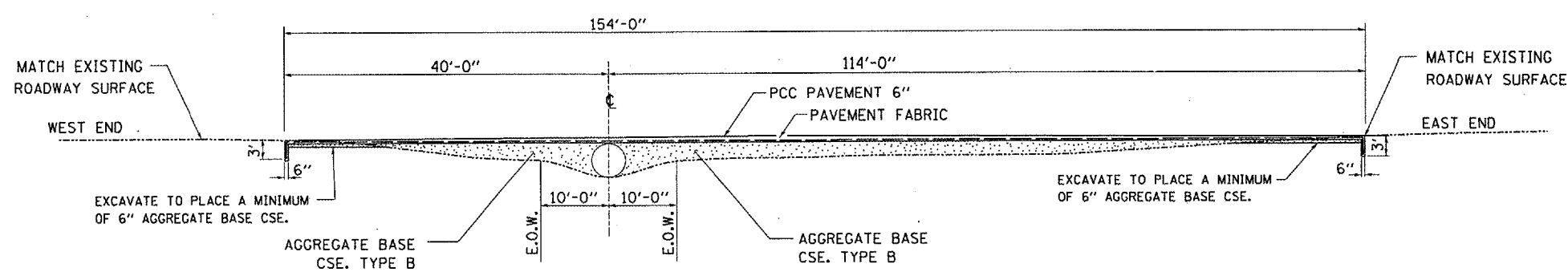
NOTES:  
 1. ACCESS POINTS ARE APPROXIMATE. FIELD CONDITIONS WILL DETERMINE EXACT LOCATIONS.

Date: January 6, 2007  
 c:/projects/ed01907/details.dgn

F.A.P. RTE.	SECTION	COUNTY	TOTAL SHEETS	SHEET NO.
326	(111)I-3	GRUNDY	8	6
FED. ROAD DIST. NO.		ILLINOIS	NON-FED. AID PROJECT	



**SECTION A-A**  
LOOKING EAST



**SECTION B-B**  
LOOKING DOWNSTREAM

**NOTES:**

THE CONTRACTOR SHALL VERIFY WITH THE ENGINEER EXACT LOCATIONS OF LOW WATER CROSSINGS PRIOR TO ORDERING OF MATERIALS.

THE CONTRACTOR MAY ADJUST DIMENSIONS AS SHOWN TO FIT FIELD CONDITIONS AT TIME OF CONSTRUCTION. ALL ADJUSTMENTS SHALL BE APPROVED BY THE ENGINEER.

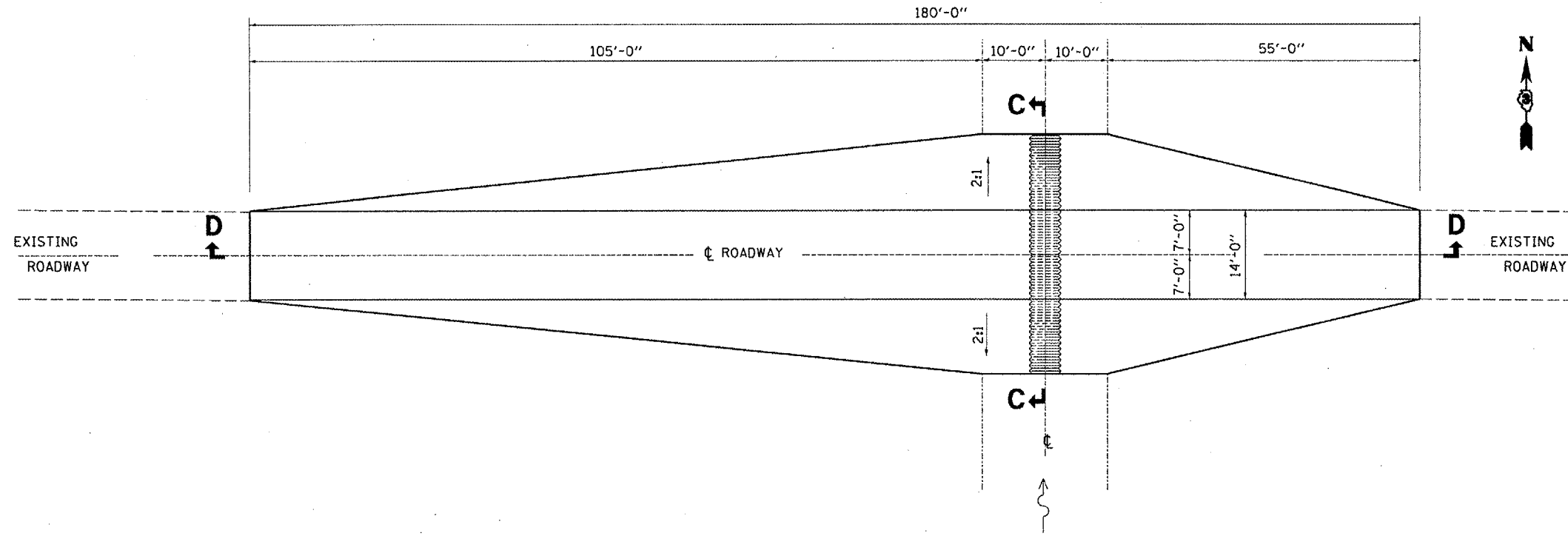
PIPE CULVERT SHALL BE CUT OFF FLUSH WITH CONCRETE SLOPE AND THE SAWED OR CUT ENDS SHALL BE GALVANIZED ACCORDING TO THE METHODS DESCRIBED IN THE "REPAIR OF DAMAGED COATINGS IN AASHTO M 245.

REVISIONS	
NAME	DATE

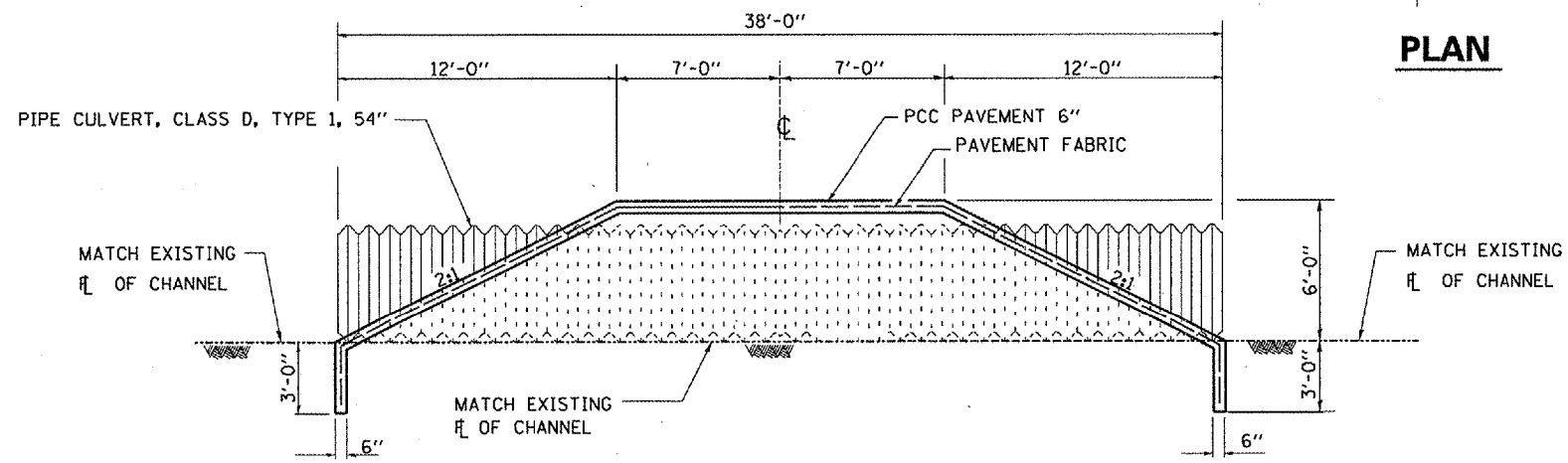
ILLINOIS DEPARTMENT OF TRANSPORTATION  
**LOW WATER CROSSING**  
**LOCATION 3A**  
 FAP ROUTE 326 (IL 47)  
 SECTION: (111)I-3  
 GRUNDY COUNTY  
 MORRIS WETLANDS

Date: January 6, 2007  
 c:/projects/ed01907/details.dgn

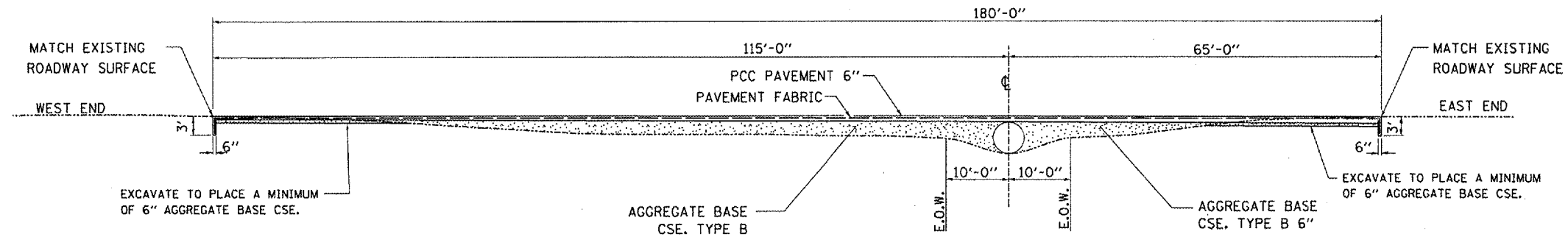
F.A.P. RTE.	SECTION	COUNTY	TOTAL SHEETS	SHEET NO.
326	(111)I-3	GRUNDY	8	7
FED. ROAD DIST. NO.		ILLINOIS	NON-FED. AID PROJECT	



**PLAN**



**SECTION C-C**  
LOOKING WEST



**SECTION D-D**  
LOOKING DOWNSTREAM

**NOTES:**

THE CONTRACTOR SHALL VERIFY WITH THE ENGINEER EXACT LOCATIONS OF LOW WATER CROSSINGS PRIOR TO ORDERING OF MATERIALS.

THE CONTRACTOR MAY ADJUST DIMENSIONS AS SHOWN TO FIT FIELD CONDITIONS AT TIME OF CONSTRUCTION. ALL ADJUSTMENTS SHALL BE APPROVED BY THE ENGINEER.

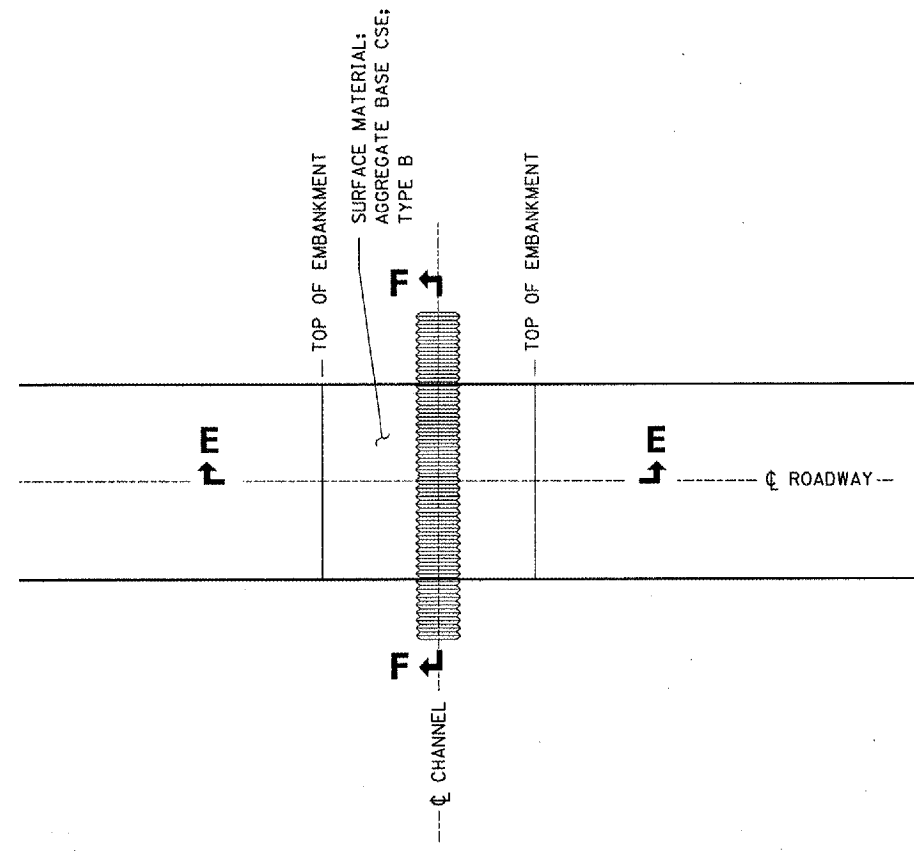
PIPE CULVERT SHALL BE CUT OFF FLUSH WITH CONCRETE SLOPE AND THE SAWED OR CUT ENDS SHALL BE GALVANIZED ACCORDING TO THE METHODS DESCRIBED IN THE "REPAIR OF DAMAGED COATINGS IN AASHTO M 245.

REVISIONS	
NAME	DATE

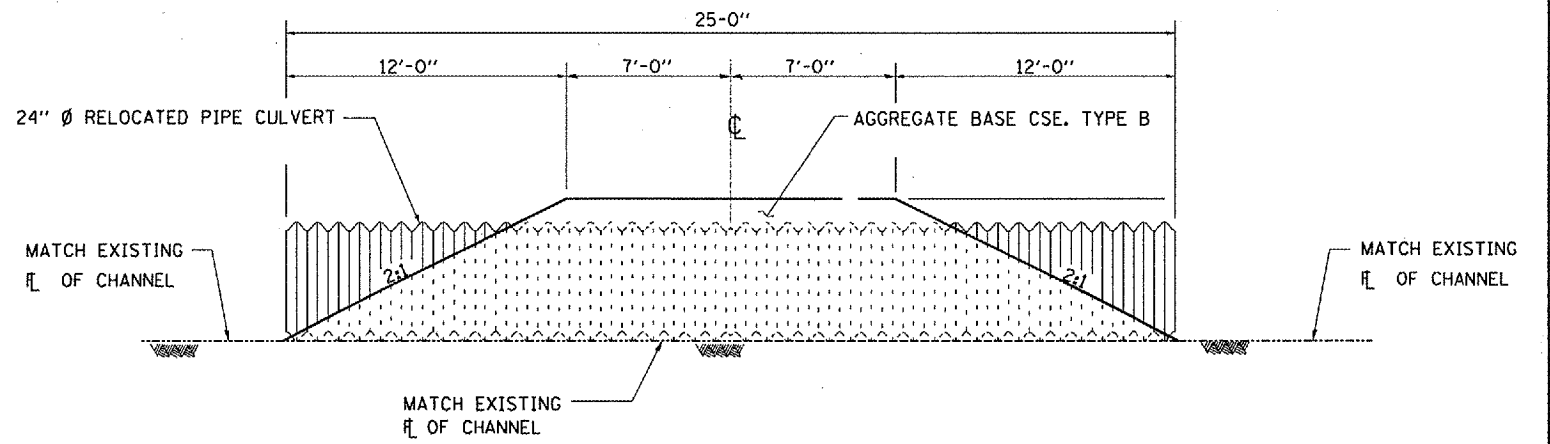
ILLINOIS DEPARTMENT OF TRANSPORTATION  
**LOW WATER CROSSING  
LOCATION 3B**  
FAP ROUTE 326 (IL 47)  
SECTION: (111)I-3  
GRUNDY COUNTY  
MORRIS WETLANDS

Date: January 6, 2007  
c:/projects/ed01907/details.dgn

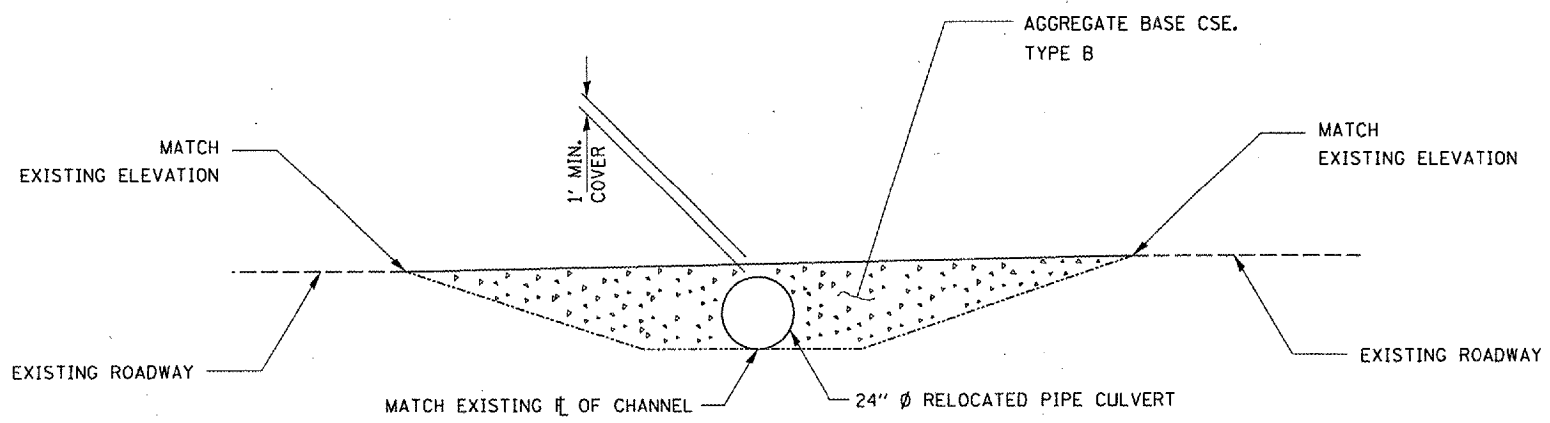
F.A.P. RTE.	SECTION	COUNTY	TOTAL SHEETS	SHEET NO.
326	(111)I-3	GRUNDY	8	8
FED. ROAD DIST. NO.		ILLINOIS	NON-FED. AID PROJECT	



**PLAN**



**SECTION F-F**



**SECTION E-E**

**NOTES:**

THE CONTRACTOR SHALL VERIFY WITH THE ENGINEER EXACT LOCATIONS OF FIELD ENTRANCES PRIOR TO ORDERING OF MATERIALS.

THE CONTRACTOR MAY ADJUST DIMENSIONS AS SHOWN TO FIT FIELD CONDITIONS AT TIME OF CONSTRUCTION. ALL ADJUSTMENTS SHALL BE APPROVED BY THE ENGINEER.

REVISIONS	
NAME	DATE

ILLINOIS DEPARTMENT OF TRANSPORTATION  
**RELOCATED PIPE CULVERT  
 DETAILS**  
 FAP ROUTE 326 (IL 47)  
 SECTION: (111)I-3  
 GRUNDY COUNTY  
 MORRIS WETLANDS

Date: January 6, 2007  
 c:/projects/ed01907/details.dgn