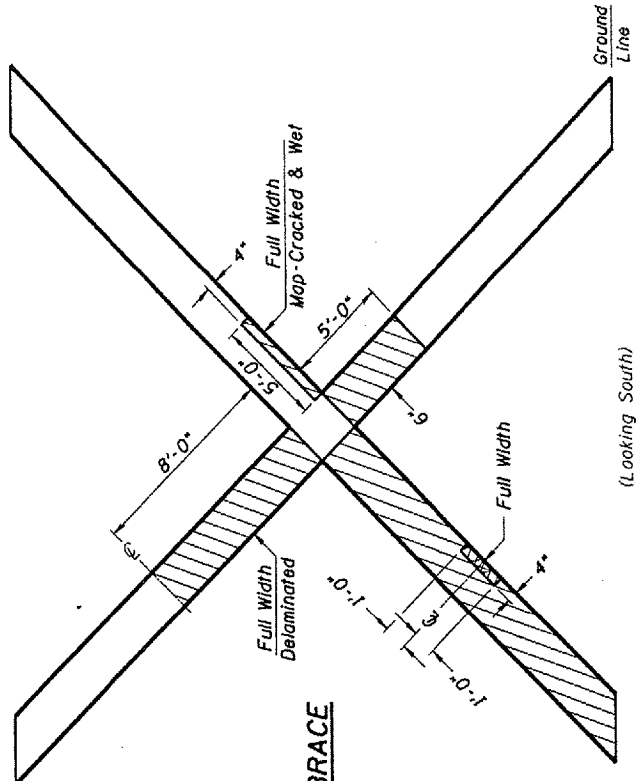


F.A.R. RTE.	SECTION	COUNTY	TOTAL SHEETS	SHEET NO.
64	*	PEORIA	20	11
STA. 211+60.95		TO STA. 219+27.65		
FED. ROAD DIST. NO. 4 ILLINOIS FED. AID PROJECT				
04 Bridge Repair 2007-2				



NORTH CROSS-BRACE

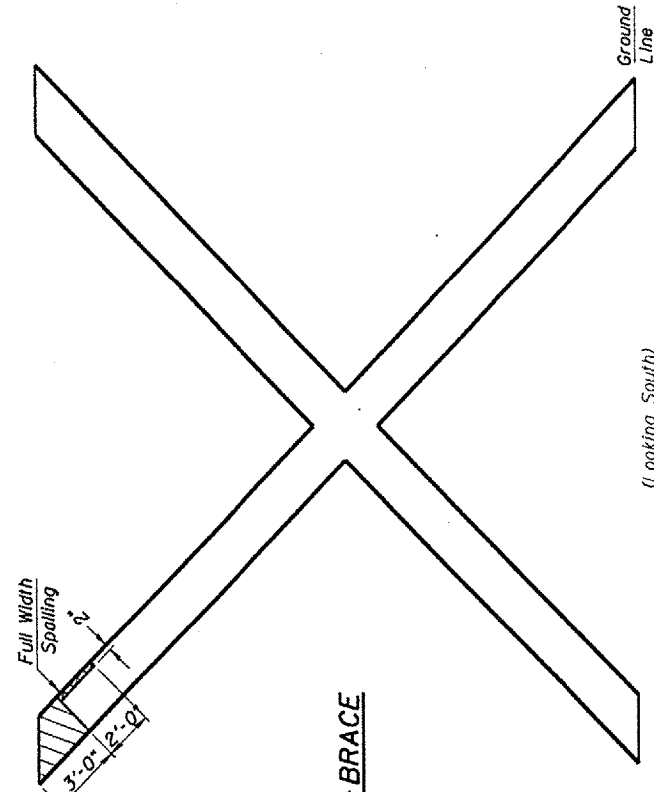
(Looking South)

MIDDLE CROSS-BRACE

(Looking South)

ESTIMATED QUANTITIES

ITEM	UNIT	QUANTITY
Structural Repair of Concrete (25')	SQ.FT.	15
Structural Repair of Concrete (6-65')	SQ.FT.	85

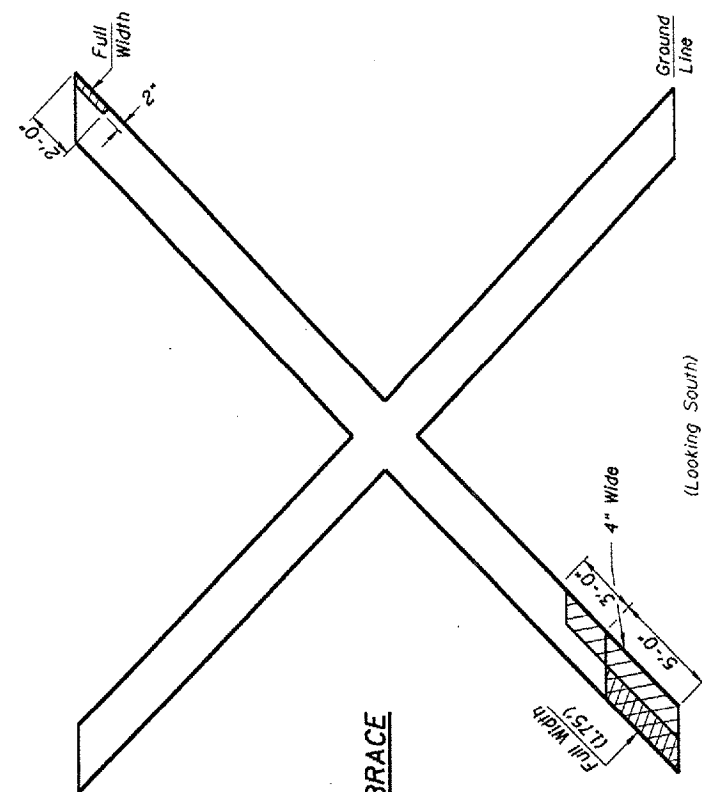


MIDDLE CROSS-BRACE

(Looking North)

ESTIMATED QUANTITIES

ITEM	UNIT	QUANTITY
Structural Repair of Concrete (25')	SQ.FT.	4
Structural Repair of Concrete (6-65')	SQ.FT.	22.8



SOUTH CROSS-BRACE

(Looking South)

Structural Repair of Concrete \leq 5"
Structural Repair of Concrete $>$ 5"

ESTIMATED QUANTITIES

ITEM	UNIT	QUANTITY
Structural Repair of Concrete (25')	SQ.FT.	3.4
Structural Repair of Concrete (6-65')	SQ.FT.	19.3

PLOT DATE : 04/16/05
FILE NAME : 071614
PLOT SCALE : 1/8"=1'-0"
REFERENCE : 071614

REVISIONS

NAME	DATE

ILLINOIS DEPARTMENT OF TRANSPORTATION
STRUCTURAL REPAIR DETAILS
SCALE: VERT. 1/8"=1'-0"
DATE 06-16-2005
DRAWN BY CEJ
CHECKED BY

SN.072-0012 Adams St. over Clark St. & B.N.R.R.