

| F.A.I. RTE. | SECTION | COUNTY | TOTAL SHEETS | SHEET NO. |
|-------------|---------|--------|--------------|-----------|
| 57&74 | * | ** | 151 | 41 |

* D5 CABLE GUARD 2007-2
 ** CHAMPAIGN, DEWITT & DOUGLAS

DETAIL OF COLLAR AND BOX CULVERT EXTENSION WITH PIPE CULVERTS LT STA 208+00

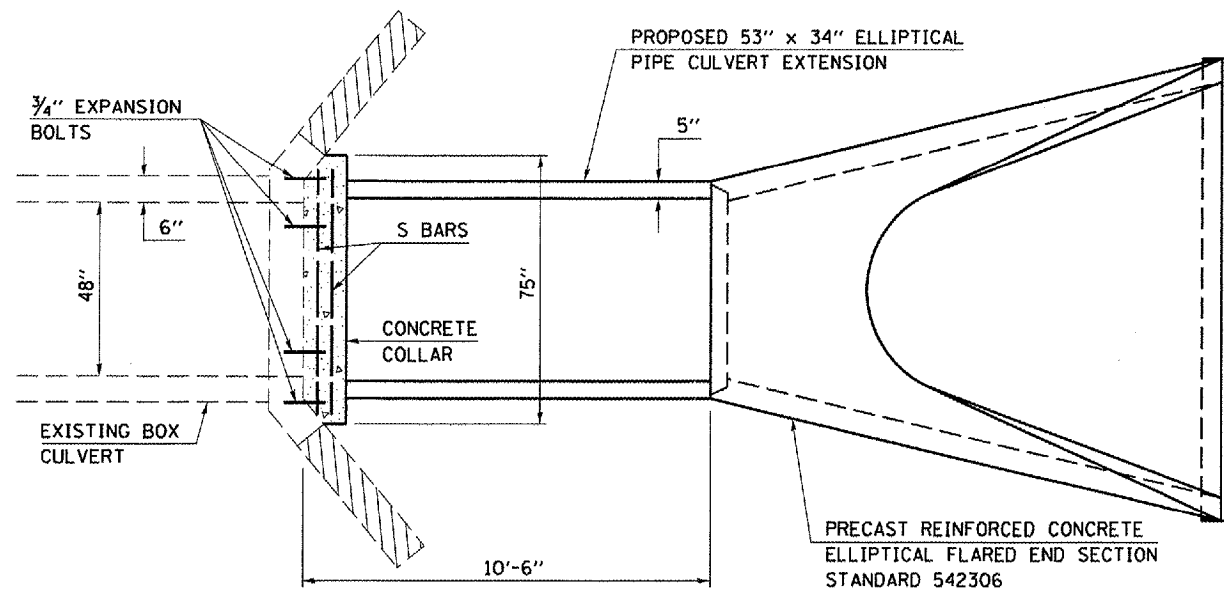
SCHEDULE OF QUANTITIES

| LOCATION | 54002020 3/4 INCH BOLTS | 54248510 CONCRETE COLLAR | 50104300 CONCRETE HEADWALL REMOVAL | 50800105 REBAR SIZE #5 |
|------------|-------------------------------|--------------------------------|--|------------------------------|
| | EACH | CU YD | CU YD | POUND |
| LT. 208+00 | 10.0 | 0.7 | 0.3 | 41.6 |

NOTES

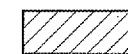
1. CLASS S1 CONCRETE SHALL BE USED THROUGHOUT.
2. EXPANSION BOLTS SHALL CONSIST OF SELF-DRILLING EXPANSION SHIELD AND 3/4"Ø HOOKED BAR. THE HOOKED BAR SHALL EXTEND 6" MINIMUM INTO CONCRETE COLLAR AND EXISTING HEADWALL.
3. THE CULVERT SHALL BE BACKFILLED IN ACCORDANCE WITH THE STANDARD SPECIFICATIONS.
4. THE CONTRACTOR SHALL REMOVE ADDITIONAL PORTIONS OF THE WINGWALLS AS REQUIRED TO ALLOW THE PIPE CULVERT TO FIT TIGHTLY AGAINST THE HEADWALL, OR MAY PROVIDE SUITABLE BANDING OR OTHER APPROVED METHOD TO PREVENT CONCRETE FROM ENTERING THE INTERIOR OF THE PIPE CULVERT.
5. AS PER ARTICLE 542.11 OF THE STANDARD SPECIFICATIONS, PAY ITEMS ASSOCIATED WITH THE CONCRETE COLLAR WILL BE AS FOLLOWS:

- CONCRETE COLLARS (CU YD)
- REINFORCEMENT BARS (POUND)
- EXPANSION BOLTS 3/4" (EACH)
- CONCRETE HEADWALL REMOVAL (CU YD)

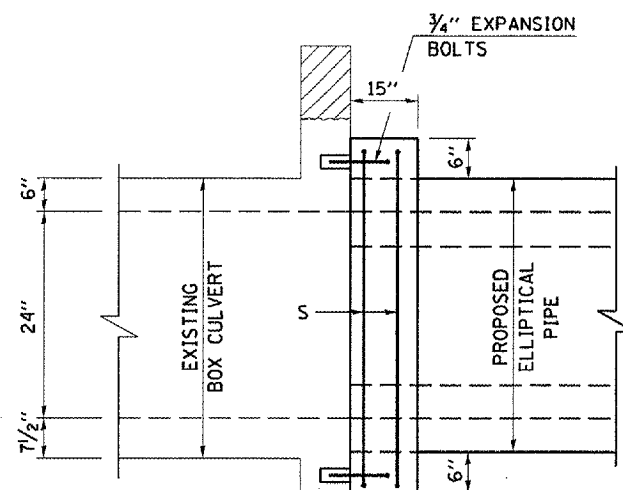


PLAN VIEW

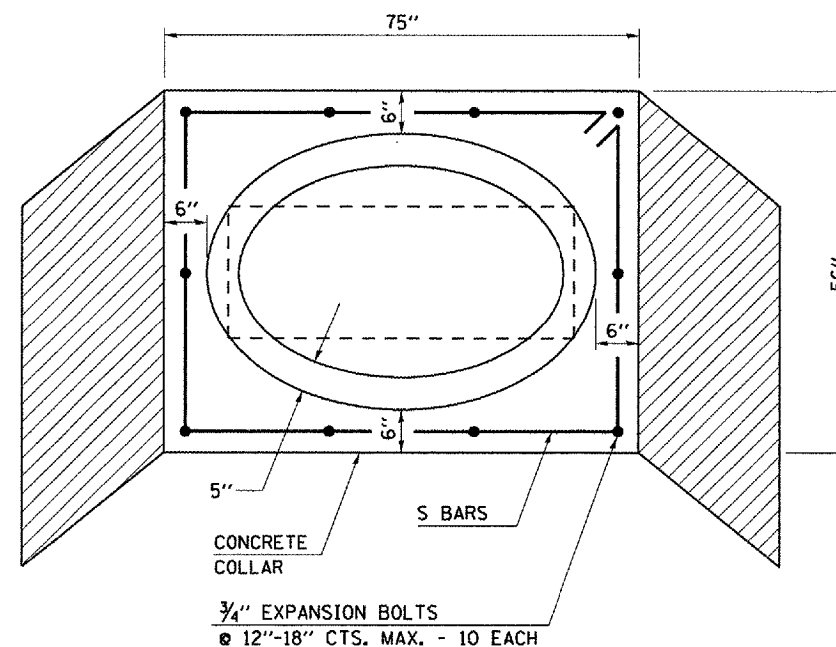
NOTE: PIPE LENGTH TO BE DETERMINED IN FIELD



- REMOVE THAT PORTION OF THE EXISTING HEADWALL DOWN TO 12" BELOW FINISHED GRADE - IF APPLICABLE
- REMOVE ONLY THAT PORTION OF THE EXISTING WINGWALLS THAT EXTENDS PAST THE PROPOSED COLLAR FOR EASE OF CONSTRUCTION OR WHEN DEEMED NECESSARY BY THE ENGINEER
- THIS WORK WILL BE PAID FOR AS CONCRETE HEADWALL REMOVAL (CUYD)

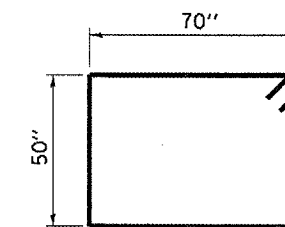


SIDE VIEW



END VIEW

3/4" EXPANSION BOLTS
 @ 12"-18" CTS. MAX. - 10 EACH



BARS S

SIZE #5
 QUANTITY 2
 LENGTH 20'-0"

ILLINOIS DEPARTMENT OF TRANSPORTATION
**DETAIL OF COLLAR AND BOX CULVERT
 EXTENSION WITH PIPE CULVERTS**
 LT STA 208+00

SCALE: NA
 DATE: 08/21/06

DRAWN BY: CADD
 CHECKED BY:

PLOT DATE: 12/1/2006
 FILE NAME: c:\projects\70547\70547.dgn
 PLOT SCALE: 1/8"=1'-0"
 USER NAME: phillips