

F.A.I. RTE.	SECTION	COUNTY	TOTAL SHEETS	SHEET NO.
57&74	*	**	151	43

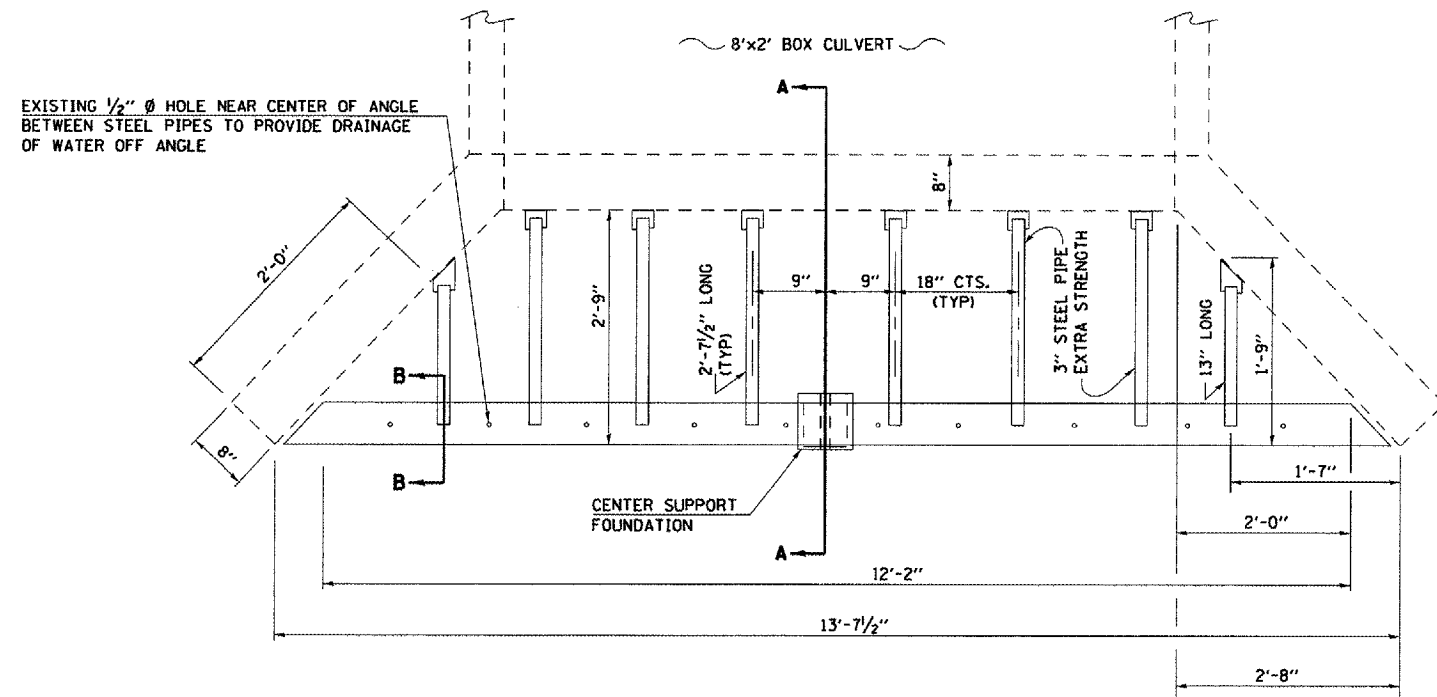
* D5 CABLE GUARD 2007-2
 ** CHAMPAIGN, DEWITT & DOUGLAS

REMOVE AND REINSTALL GRATING FOR CONCRETE HEADWALL STATION 225 + 00

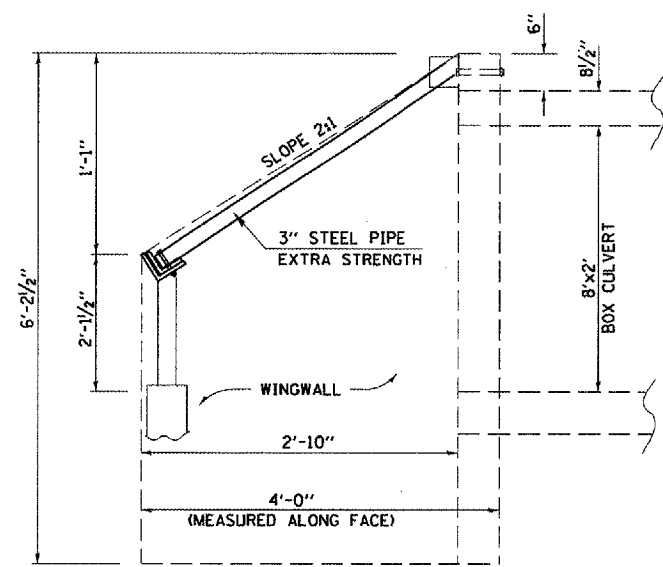
Bolts, Nuts and Washers	
Item	Number
3x3x1/4 Plate washer	10
3 x 3/4 bolts with nuts & 2 washers	4
5 x 1/2 bolts with nuts & 2 washers	8
6 x 1/2 bolts with nuts & 2 washers	8
9 1/2 x 3/4 bolts with nuts & 2 washers	4
13 1/2 x 3/4 bolts with nuts & 2 washers	6

GENERAL NOTES

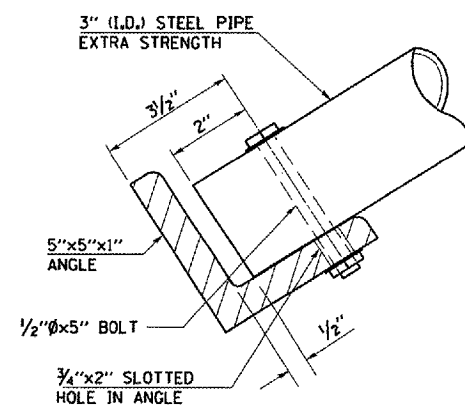
- BOLTS AND NUTS SHALL CONFORM TO A.S.T.M. A 307. ALL BOLTS SHALL HAVE WASHERS AT EACH END. HOLES SHALL BE 1/16" OVERSIZED UNLESS OTHERWISE NOTED EXCEPT IN CONCRETE WHICH SHALL BE 1/8" OVERSIZED.
- ANGLES AND STEEL PLATES SHALL CONFORM TO A.A.S.H.T.O. M 183. STEEL PIPES SHALL CONFORM TO A.S.T.M. A 53, GRADE B OR A.S.T.M. A 501.
- STEEL PIPES, ANGLES AND PLATES SHALL BE HOT DIPPED GALVANIZED CONFORMING TO THE REQUIREMENTS OF A.A.S.H.T.O. M 111.
- BOLTS, NUTS AND WASHERS SHALL BE HOT DIPPED GALVANIZED CONFORMING TO THE REQUIREMENTS OF A.A.S.H.T.O. M 232.
- EXISTING PLATES, ANGLES AND PIPES SHALL BE REMOVED AND RE-ERECTED ONTO PROPOSED HEADWALL AND WINGWALLS. CENTER SUPPORT AND FOUNDATION SHALL BE REMOVED AND RE-ERECTED. THE CONTRACTOR SHALL INSURE EXISTING PLATES, ANGLES, PIPES AND CENTER SUPPORT ARE NOT DAMAGED DURING CONSTRUCTION. ANY DAMAGE DURING CONSTRUCTION SHALL BE CONTRACTOR RESPONSIBILITY TO REPLACE, NO ADDITIONAL COMPENSATION WILL BE ALLOWED.
- ALL BOLTS, NUTS AND WASHERS SHALL BE REPLACED. NEW BOLTS, NUTS AND WASHERS WILL NOT BE PAID FOR SEPARATELY BUT SHALL BE CONSIDERED AS INCLUDED IN THE CONTRACT UNIT PRICE EACH FOR "REMOVE & RE-ERECT EXISTING GRATING 8' X 2' BOX CULVERT".
- THE CONTRACTOR WILL BE RESPONSIBLE FOR CHECKING ALL STRUCTURE DIMENSIONS, GRATE DIMENSIONS, BOLT, NUT & WASHER DIMENSIONS AND PIPE LENGTHS TO INSURE EXISTING GRATING IS PROPERLY RE-ERECTED ONTO THE PROPOSED EXTENSION.
- THIS WORK WILL BE PAID FOR AT THE CONTRACT UNIT PRICE EACH FOR "REMOVE & RE-ERECT EXISTING GRATING 8' X 2' BOX CULVERT" WHICH PRICE SHALL INCLUDE ALL MATERIAL AND LABOR TO COMPLETE THE INSTALLATION AS SHOWN.



PLAN



SIDE VIEW OF WINGWALL
 SECTION A-A



END VIEW OF GRATE
 SECTION B-B

SHEET 1 OF 2

ILLINOIS DEPARTMENT OF TRANSPORTATION
**REMOVE AND REINSTALL GRATING
 FOR CONCRETE HEADWALL
 STATION 225 + 00**

SCALE: NA
 DATE: 09/28/06
 DRAWN BY: CADD
 CHECKED BY:

LOCATION #2 PESOTUM