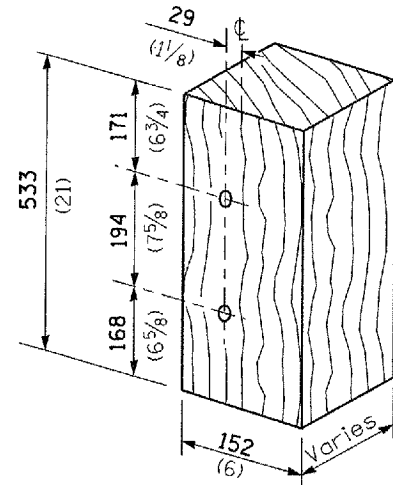


F.A.L. RTE.	SECTION	COUNTY	TOTAL SHEETS	SHEET NO.
57&74	*	**	151	48

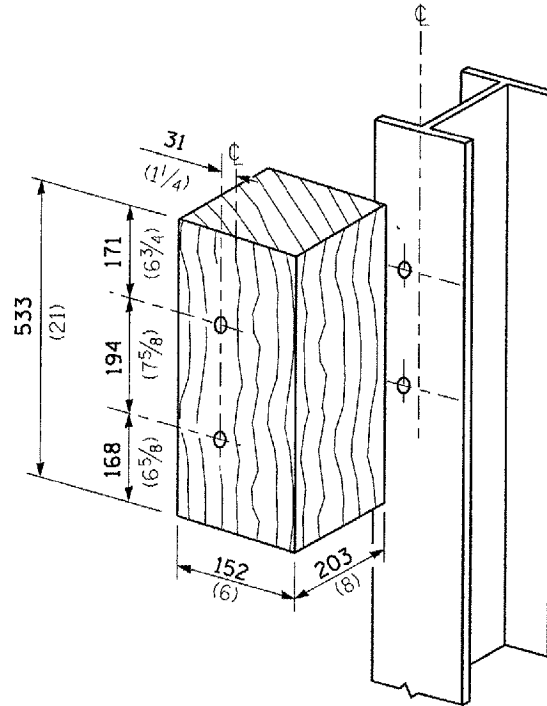
\* D5 CABLE GUARD 2007-2  
 \*\* CHAMPAIGN, DEWITT & DOUGLAS

# TRAFFIC BARRIER TERMINAL, TYPE 6B (SPECIAL)

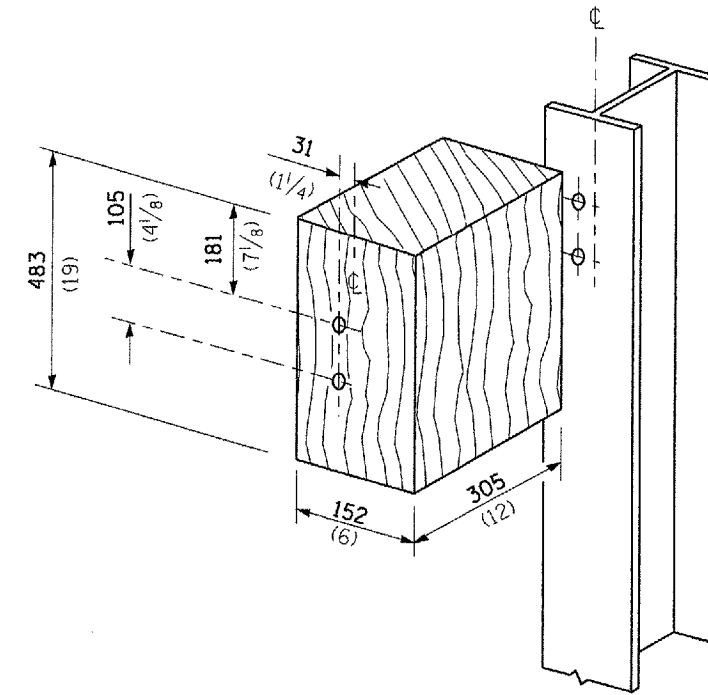
## STA 744+97 TO STA 745+52



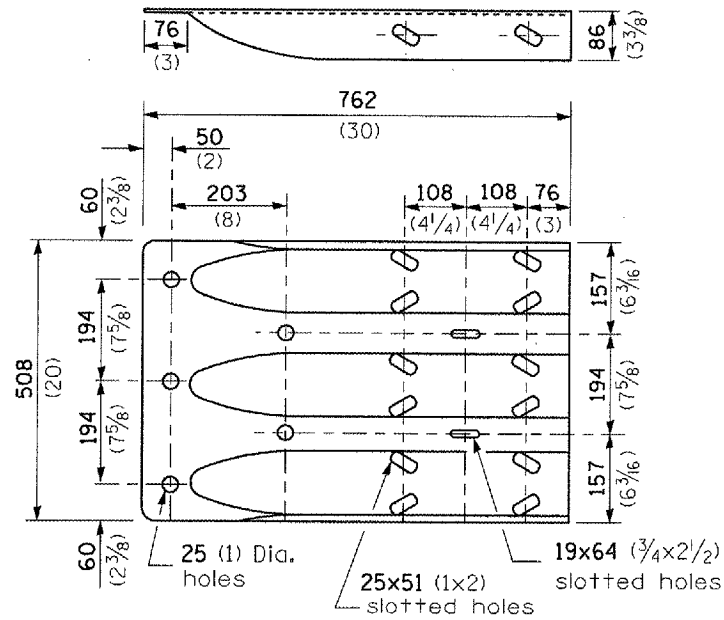
**MODIFIED THICKNESS WOOD BLOCKOUT DETAIL**



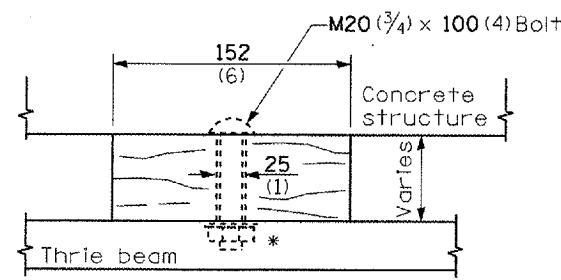
**POSTS 1-11 WOOD BLOCKOUT DETAIL**



**POST 12 WOOD BLOCKOUT DETAIL**  
 (See Standard 630001 for post 13-17 blockouts.)

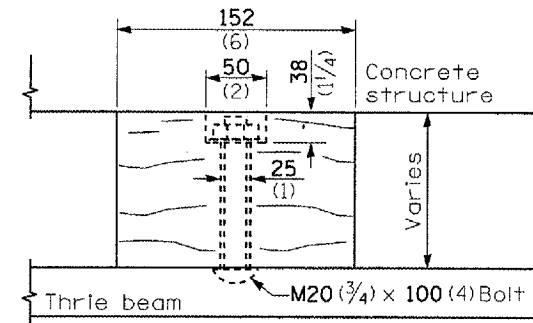


**THRIE BEAM END SHOE DETAIL**

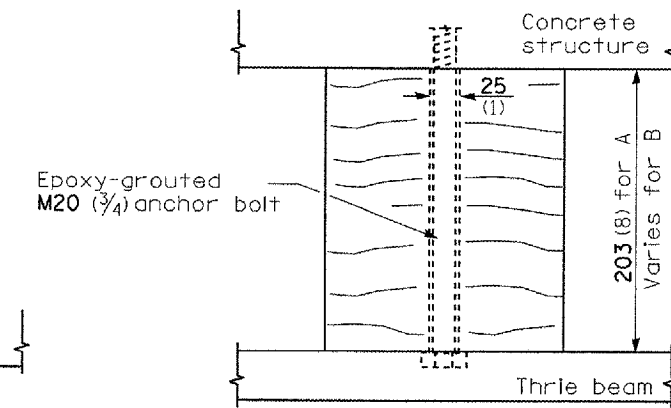


**WOOD BLOCKOUT C**

Bolt to thrie beam with M20 (3/4) by 100 (4) bolt, washer & nut. Reverse direction of insertion. \*



**WOOD BLOCKOUT B**



**WOOD BLOCKOUT A**

SHEET 2 OF 3

ILLINOIS DEPARTMENT OF TRANSPORTATION  
**TRAFFIC BARRIER**  
**TERMINAL, TYPE 6B (SPECIAL)**  
**STA 744+97 TO STA 745+52**

SCALE: NA  
 DATE: 09/27/06  
 DRAWN BY: CADD  
 CHECKED BY:

All dimensions are in millimeters (inches) unless otherwise shown.

LOCATION #3 FARMER CITY

PLOT DATE: 10/30/2006  
 FILE NAME: c:\projects\70547\70547.dgn  
 PLOT SCALE: 1/8"=1'-0"  
 USER NAME: phillips