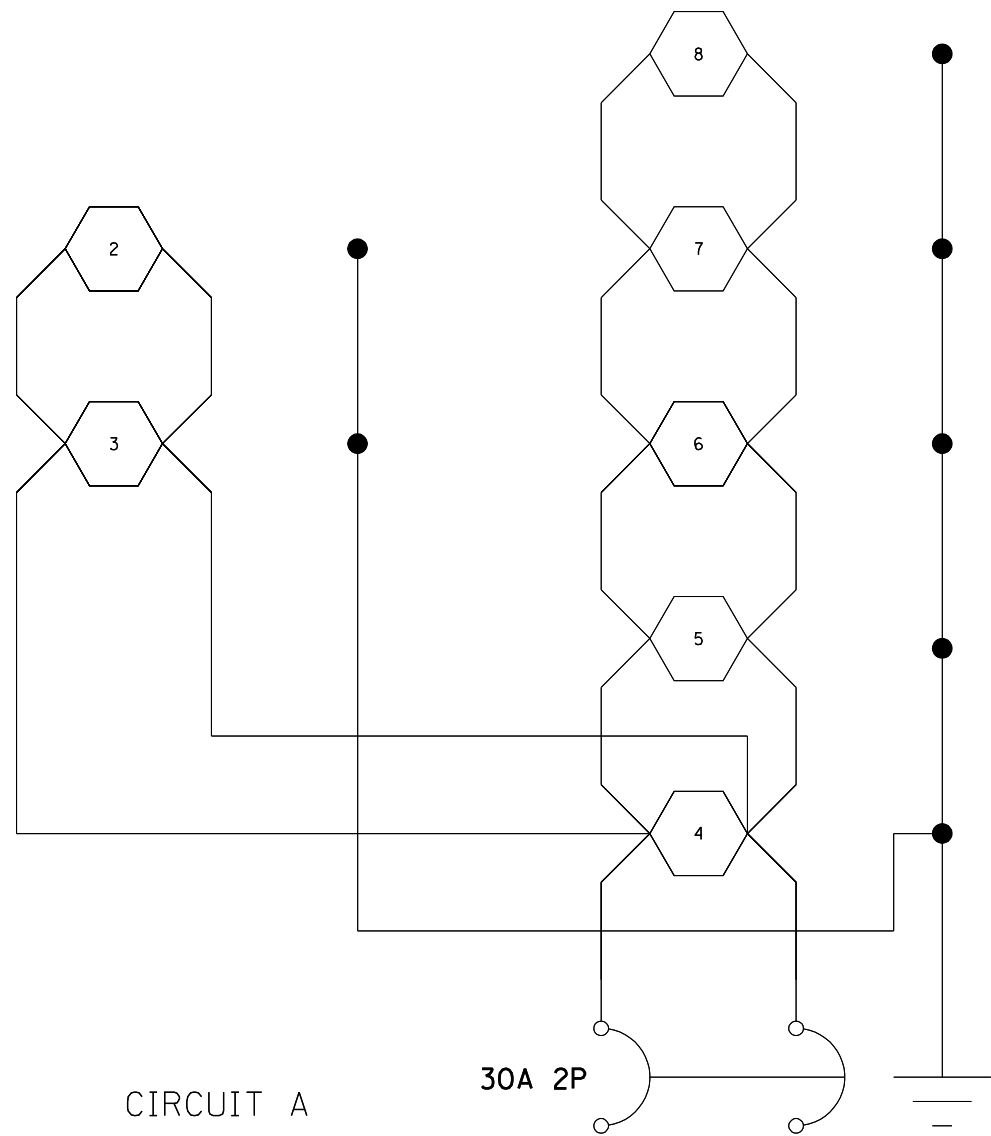
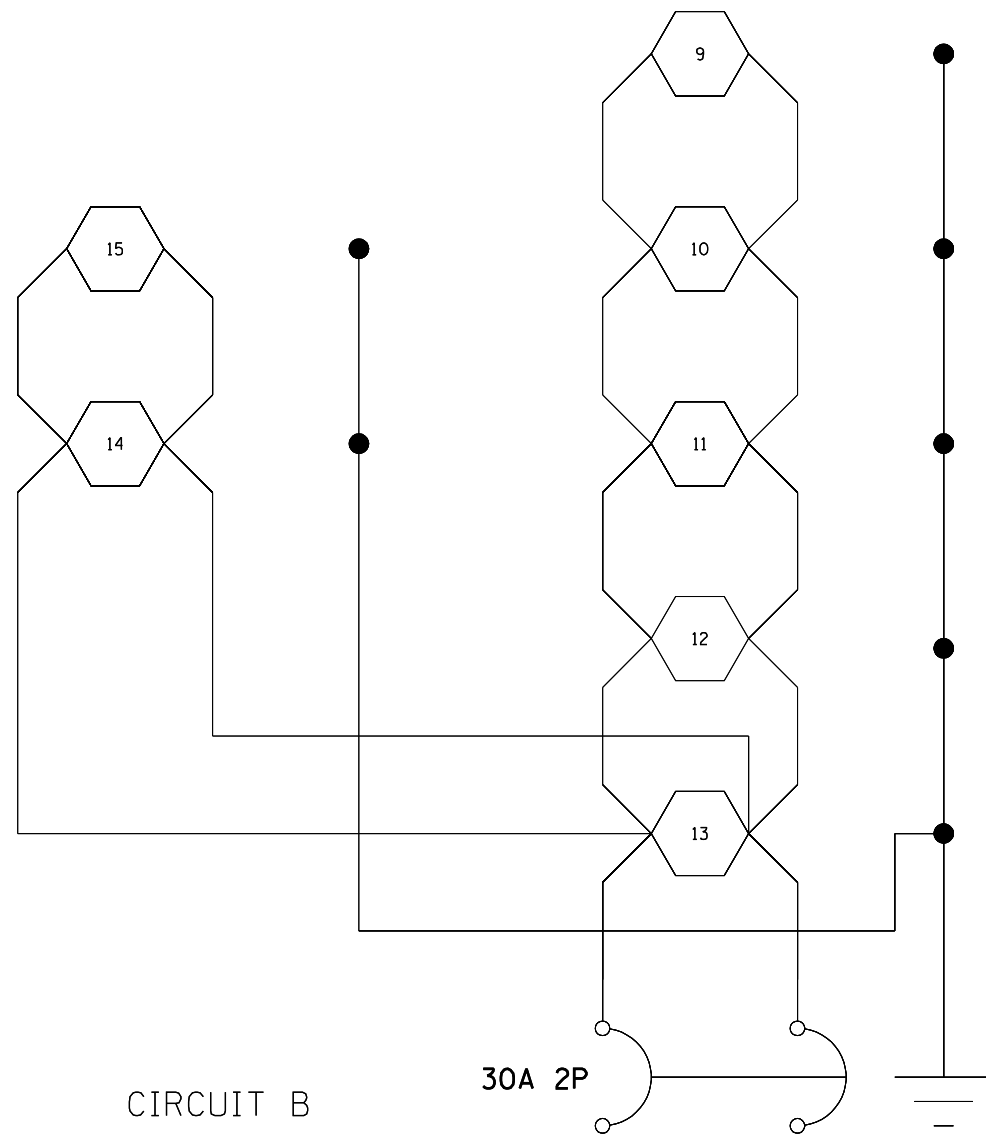


F.A.P. RTE.	SECTION	COUNTY	TOTAL SHEETS	SHEET NO.
67	S(RS-5,TS-7),L	SANGAMON	78	37
STA.		TO STA.		
FED. ROAD DIST. NO.	ILLINOIS	FED. AID PROJECT		



CIRCUIT A



CIRCUIT B

REVISIONS	
NAME	DATE

ILLINOIS DEPARTMENT OF TRANSPORTATION
CIRCUIT DIAGRAM
 FAP 67 (IL 97/ JEFFERSON ST)
 SECTION S(RS-5, TS-7), L
 SANGAMON COUNTY

SCALE: VERT. _____
 HORIZ. _____

DATE _____ DRAWN BY _____
 CHECKED BY _____

PLOT DATE = \$DATE\$
 FILE NAME = \$FILEL\$
 PLOT SCALE = \$SCALE\$
 USER NAME = \$USER\$