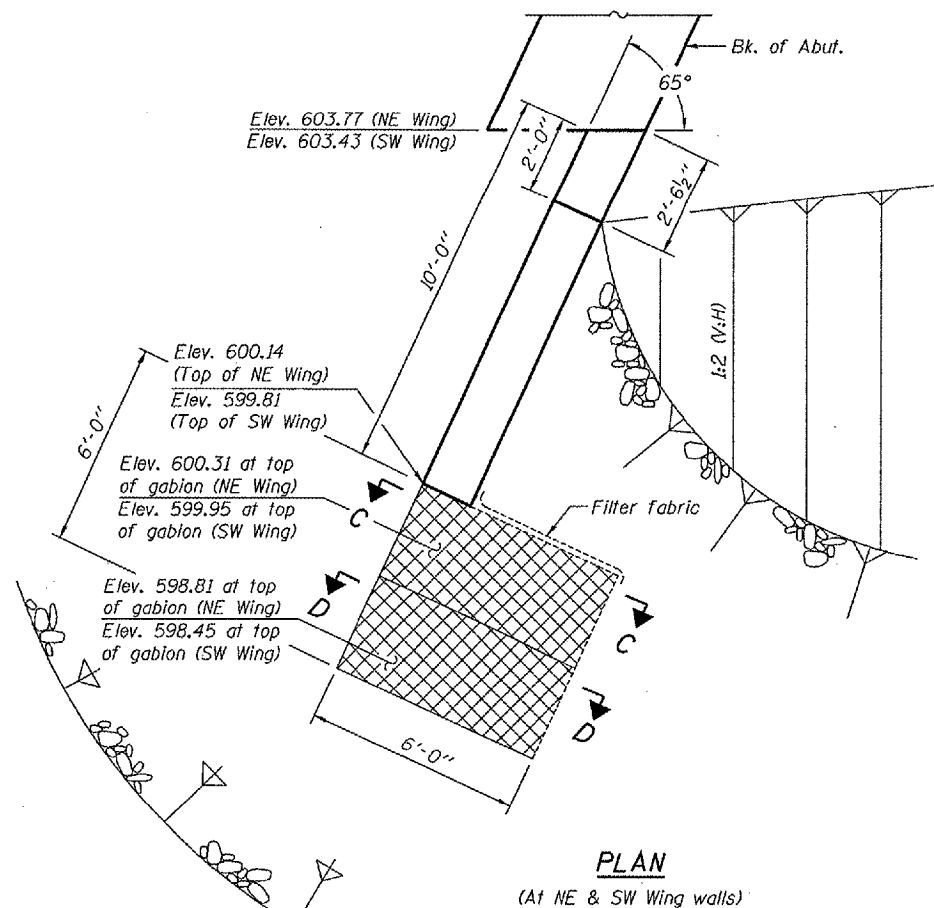
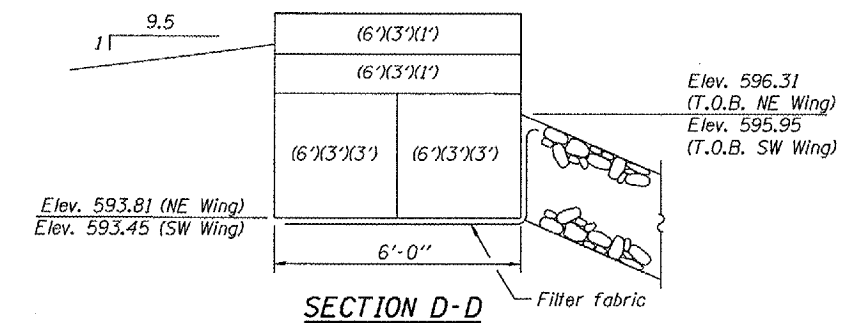
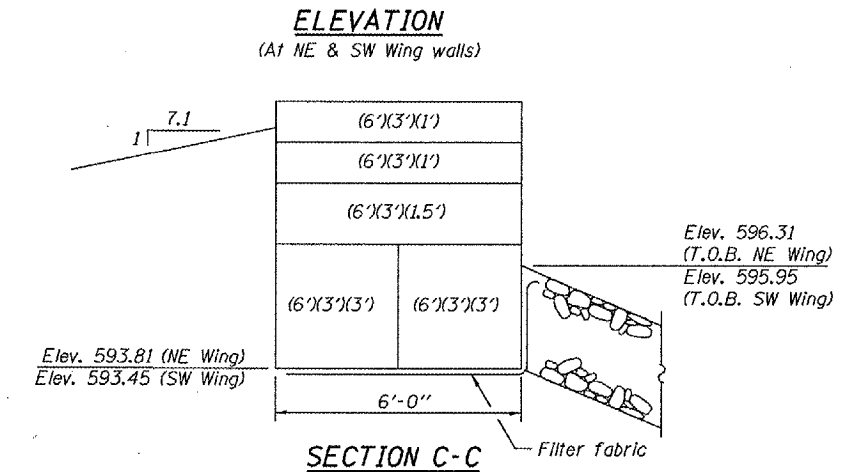
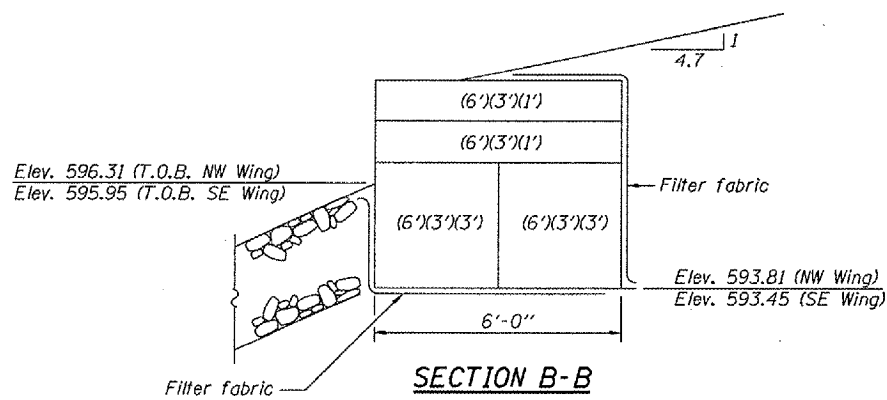
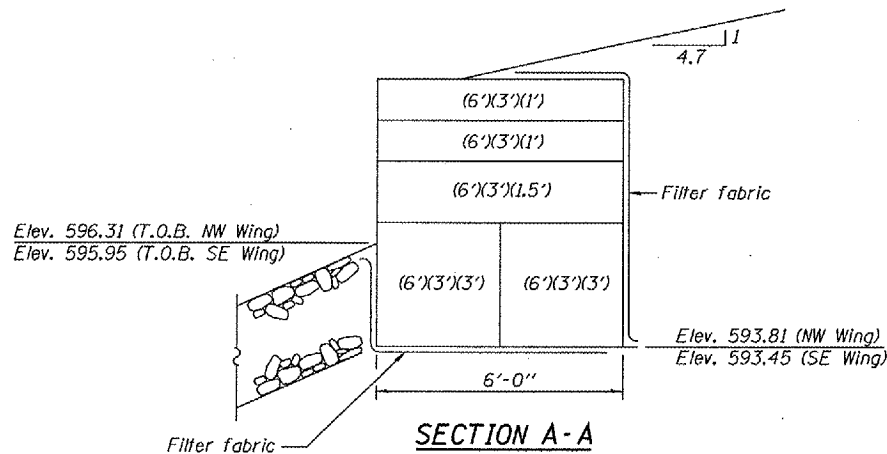
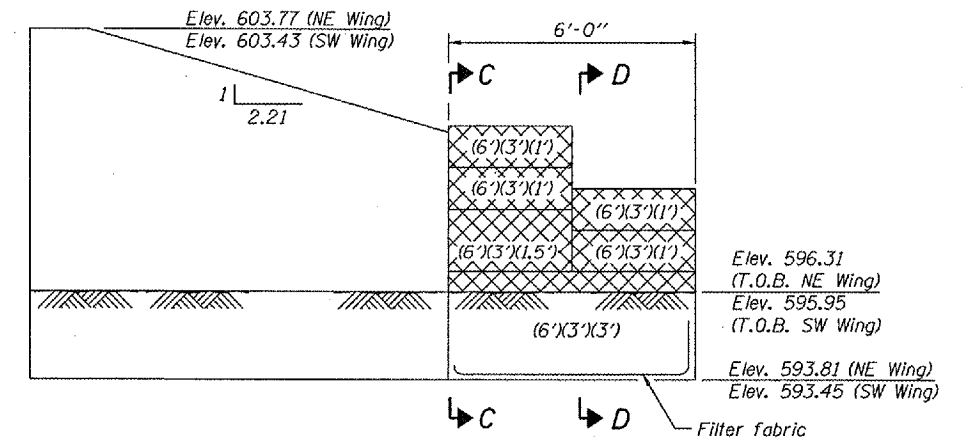
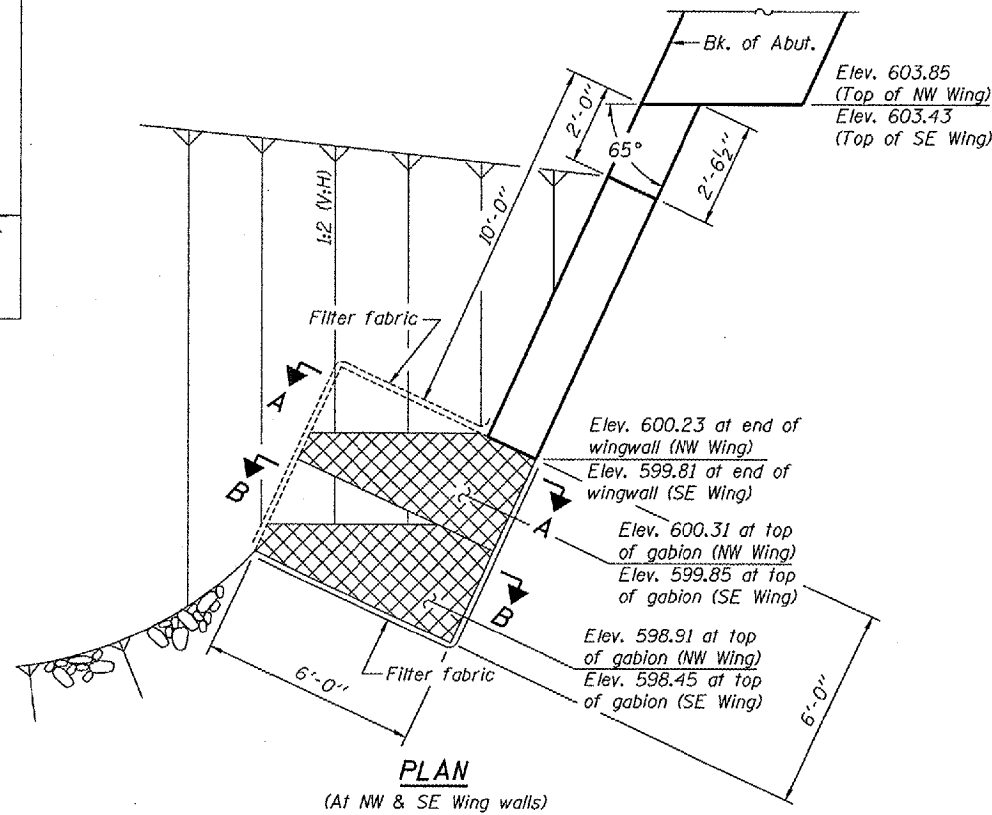
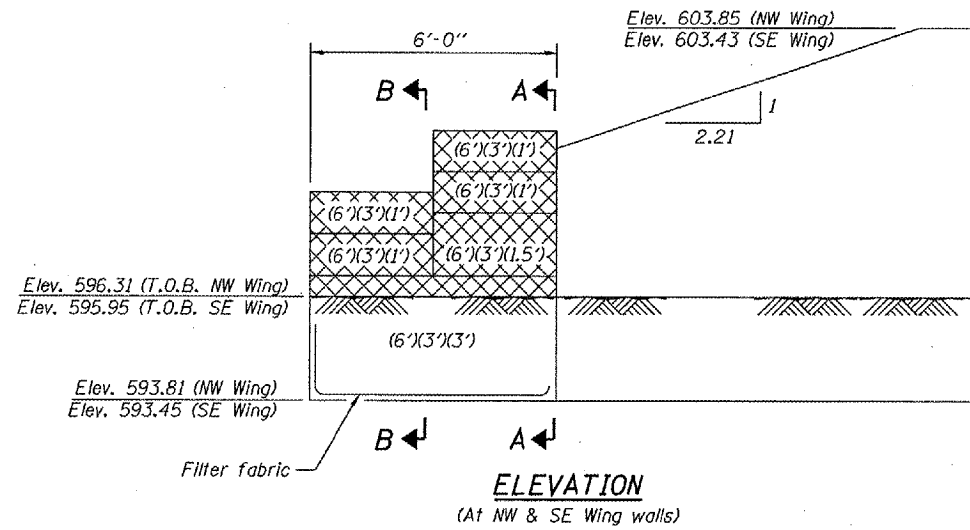


STATE OF ILLINOIS
DEPARTMENT OF TRANSPORTATION

ROUTE NO.	SECTION	COUNTY	SHEETS	SHEET NO.
FAP 662	(V.T)B-2	MACOUPIN	68	15
FED. ROAD DIST. NO. 7	ILLINOIS	FED. AID PROJECT-		20 SHEETS

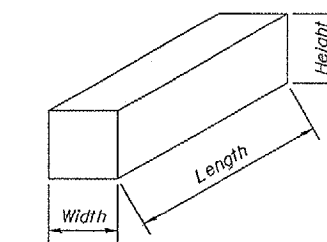
Contract #72993



Denotes exposed gabion
T.O.B. denotes Top of Berm.

DESIGNED	NHB
CHECKED	DPN
DRAWN	h.t. duong
CHECKED	NHB/DPN

Jan 23, 2007
EXAMINED *Thomas J. Romagallo*
PASSED *Ronald E. Anderson*
ENGINEER OF BRIDGE DESIGN
ENGINEER OF BRIDGES AND STRUCTURES



Dimensions are Length x Width x Height
(in feet)

**4 GABION WINGWALLS
BILL OF MATERIAL**

Item	Unit	Total
Gabions	Cu. Yd.	30.7
Filter Fabric	Sq. Yd.	60
Structure Excavation	Cu. Yd.	47.0

GABION WINGWALL DETAILS
F.A.P. RT. 662 SECTION (V.T)B-2
MACOUPIN COUNTY
STATION 447+03.80
STRUCTURE NO. 059-0504