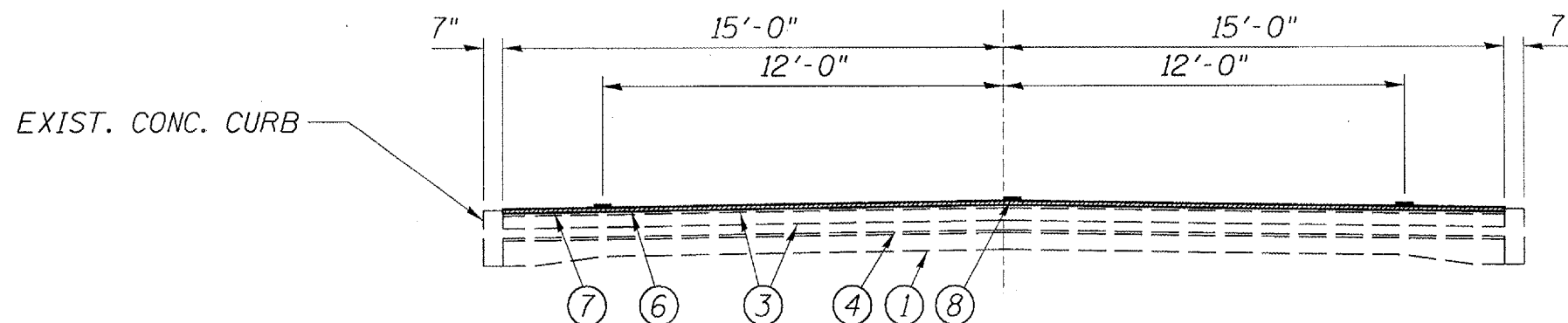
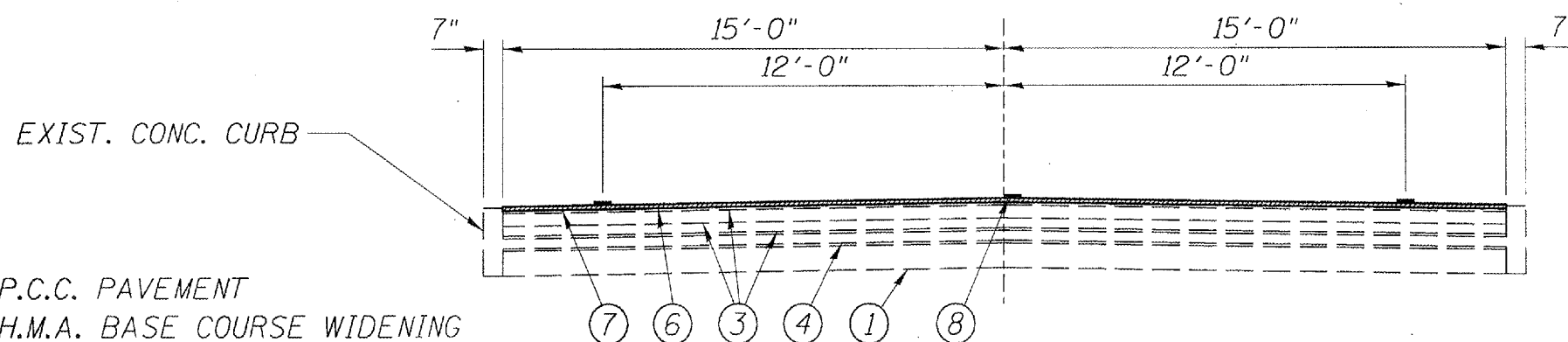


LOCATION #4
STA. 15+89.5 TO 20+00
STA. 447+14.5 TO 454+13



LOCATION #4
STA. 10+00 TO 10+50
STA. 18+09 TO 28+74



LOCATION #4
STA. 10+50 TO 18+09

LEGEND

- 1 - EXIST. P.C.C. PAVEMENT
- 2 - EXIST. H.M.A. BASE COURSE WIDENING
- 3 - EXIST. H.M.A. SURFACE
- 4 - EXIST. BRICK PAVEMENT WITH WIDENING
- 5 - EXIST. AGGREGATE SHOULDER
- 6 - PROP. H.M.A. SURFACE REMOVAL 1 1/2"
- 7 - PROP. POLY. H.M.A. SURFACE COURSE, MIX D, N70 1 1/2"
- 8 - PROP. PAINT PAVEMENT MARKING - LINE 5"
- 9 - PROP. AGG. SHOULDER, TYPE B

TYPICAL SECTIONS
FAP 325 (IL 16)
SECTION (2)I-5
MONTGOMERY COUNTY