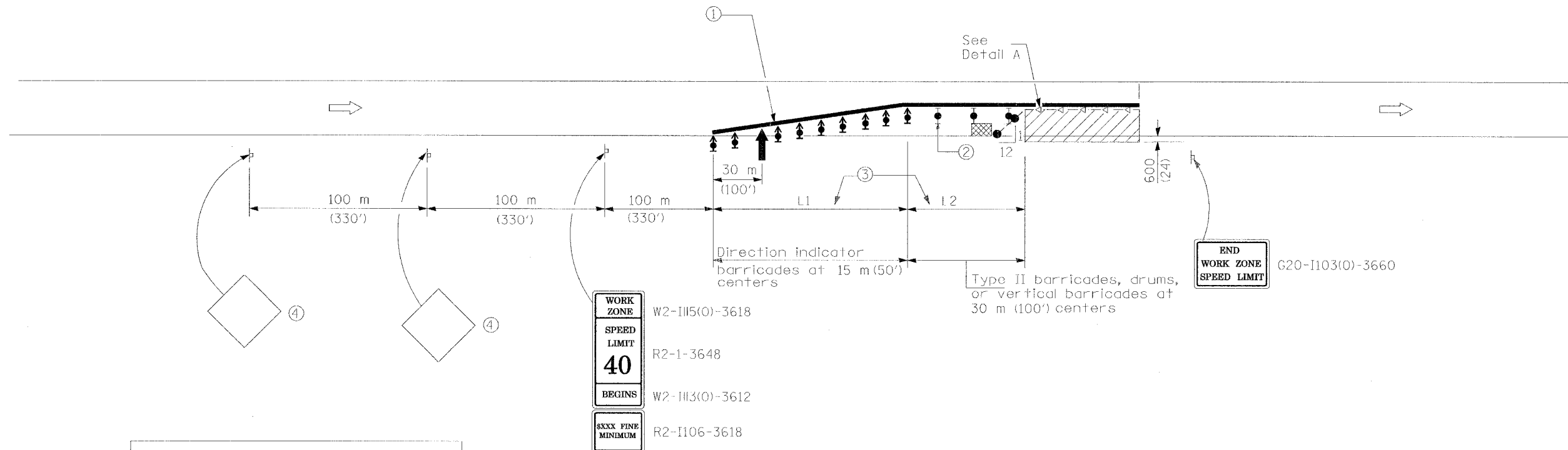


ROUTE NO.	SECTION	COUNTY	TOTAL SHEETS	SHEET NO.
F.A.I. 70	*	ST. CLAIR	99	16
FED. ROAD DIST. NO. 7	ILLINOIS	FED. AID PROJECT - 1M-70		

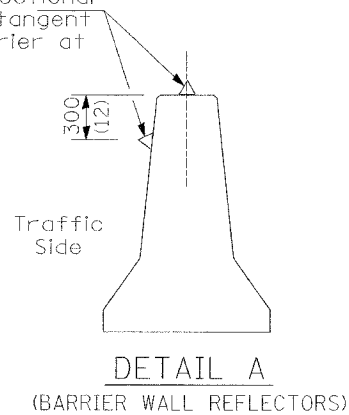
* 82-3HVB-3R-5
CONTRACT NO. 76985



L = lane width X taper ratio

Normal Posted Speed		Taper Ratio
km/h	mph	
90	55	55/1
80	45	45/1

Type C monodirectional reflectors on tangent portion of barrier at 15 m (50') cts.



SYMBOLS

- Arrow board
- Work area
- Sign
- Direction Indicator barricade with steady burn monodirectional light
- Type II barricade, drum, or vertical barricade with steady burn monodirectional light
- Temporary concrete barrier
- Type C Monodirectional reflector
- Vertical panel with steady burn monodirectional light
- Impact attenuator

- ① Reflectorized temporary paint pavement marking shall be placed throughout the taper and work area as indicated on the plan sheets. In addition, the bottom 6" of the temporary concrete barrier shall be painted white for right lane closures and yellow for left lane closures. The edge line shall be white for right lane closures and yellow for left lane closures.
- ② Vertical panels at 7.6 m (25') centers with steady burn monodirectional lights.
- ③ See traffic control plan sheet for geometry approaching work zone and values for L1 and L2.
- ④ See Signage Key Plan Sheets for sign type.

GENERAL NOTES

This standard is used where at any time a ramp tapers from its original width for day light operation exceeding one day and where temporary concrete barrier is utilized.

This standard also applies when work is being performed on the left side of the ramp.

All dimensions are in millimeters (inches) unless otherwise shown.

TRAFFIC CONTROL AND PROTECTION-SPECIAL

REVISIONS		STATE OF ILLINOIS DEPARTMENT OF TRANSPORTATION REHABILITATION AND RETROFIT REPAIRS FAI ROUTE 70 POPLAR STREET BRIDGE APPROACHES ST. CLAIR COUNTY	
NAME	DATE		
			STRUCTURE NO. SCALE: N.T.S. DATE: 02/01/2007

DATE: 12/4/2007 FILENAME: P:\2001\1201-1300\2001.1240\Drafting\RoadwayRehab_AT\AT traf cont 010906.dgn

DESIGNED	IDOT
CHECKED	JEL
DRAWN	IMG
CHECKED	JEL