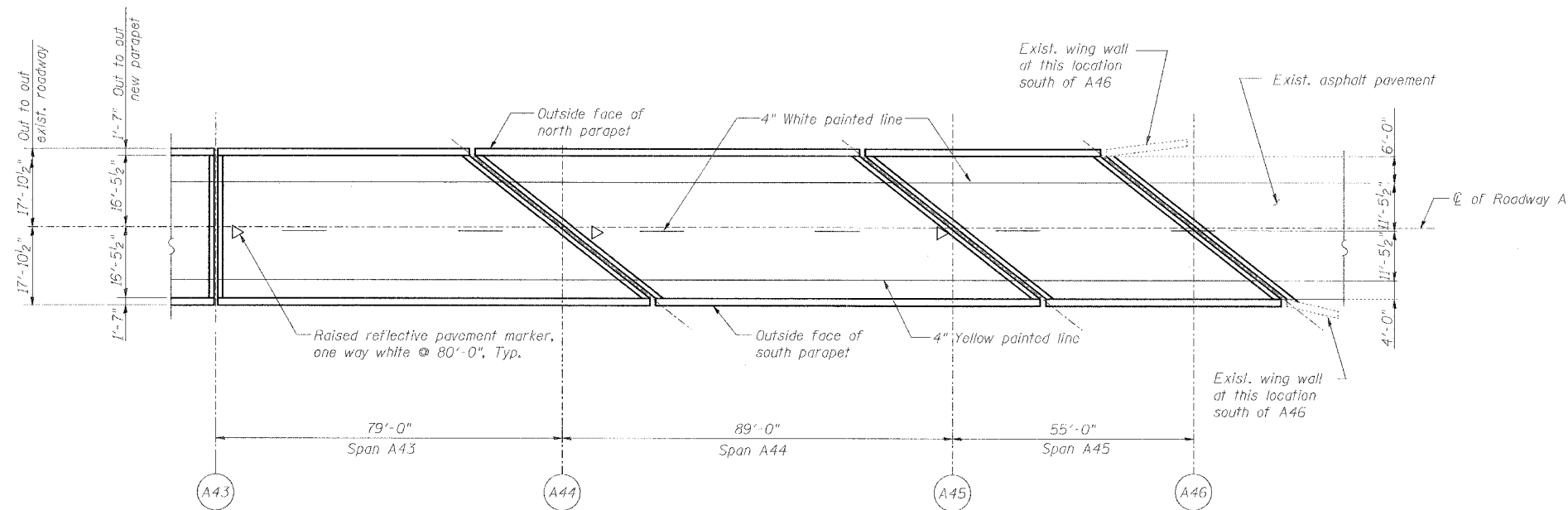
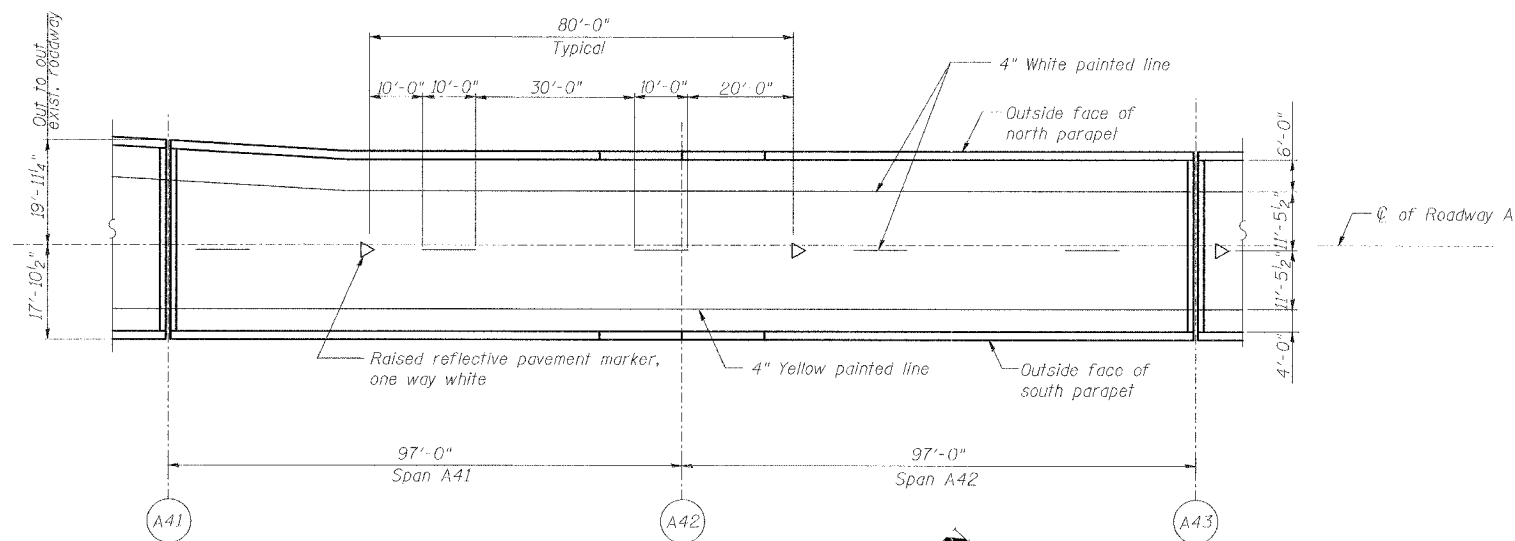


ROUTE NO.	SECTION	COUNTY	TOTAL SHEETS	SHEET NO.
F.A.I. 70	*	ST. CLAIR	99	20
FED. ROAD DIST. NO. 7	ILLINOIS	FED. AID PROJECT- 1M-70		

* B2-3HVB-3R-5
CONTRACT NO. 76985



Note: Taper striping pattern as necessary to match existing pattern beyond Abutment at A46

REVISIONS	
NAME	DATE

STRIPING SPANS A41 - A45
STATE OF ILLINOIS
DEPARTMENT OF TRANSPORTATION
REHABILITATION AND RETROFIT REPAIRS
FAI ROUTE 70
POPLAR STREET BRIDGE APPROACHES
ST. CLAIR COUNTY

STRUCTURE NO.
SCALE: N.T.S.
DATE: 02/01/2007

DATE: 12/4/2007
FILENAME: P:\2001\1201-1300\2001.1240\Drafting\RoadwayRehab_AT\Temp\stripe\A_ST14145.dgn

DESIGNED	JEL
CHECKED	JPD
DRAWN	CLK
CHECKED	JFI