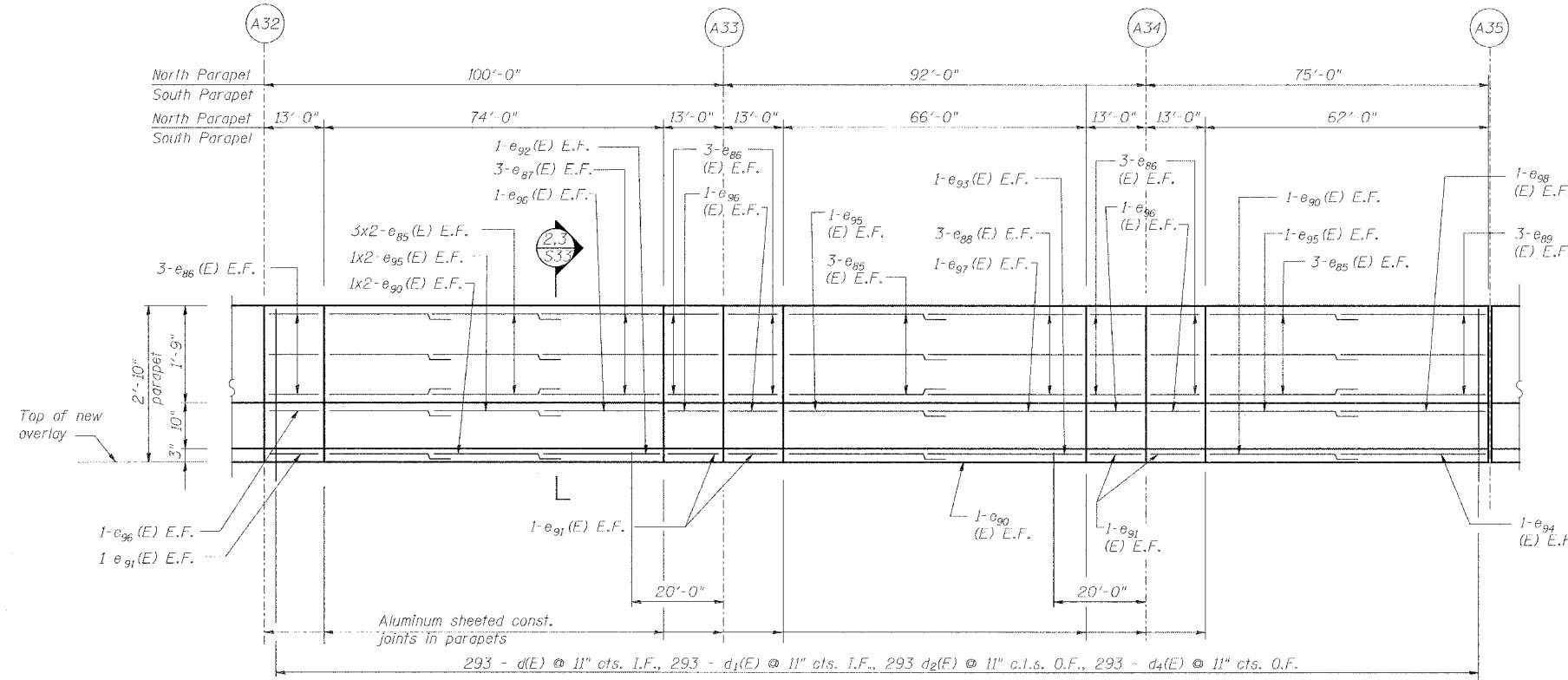


ROUTE NO.	SECTION	COUNTY	TOTAL SHEETS	SHEET NO.
F.A.1. 70	*	ST. CLAIR	99	41
FED. ROAD DIST. NO. 7		ILLINOIS	FED. AID PROJECT- 1M-70	
82-3HYB-3R-5		SHEET S-20 OF S-56		
CONTRACT NO. 76985				

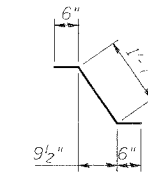


INSIDE ELEVATION OF NORTH PARAPET

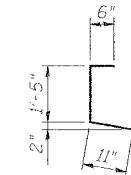
South parapet similar except as noted
 All dimensions measured along bottom of inside face of parapet
 E.F. indicates each face
 I.F. indicates inside face
 O.F. indicates outside face

Min Bar Laps	
#4	1'-8"
#5	2'-2"
#6	2'-7"
#8	4'-6"

Bar d(E) & d2(E)



Bar d1(E)

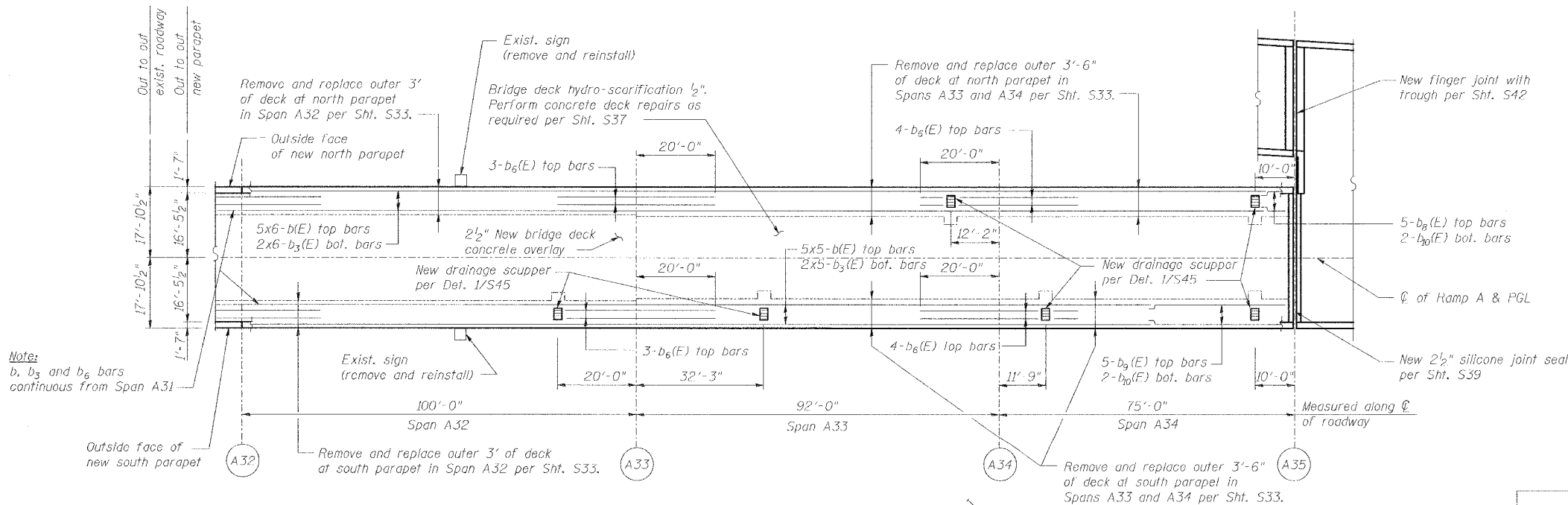


Bar d4(E)

SUPERSTRUCTURE BILL OF MATERIAL

Bar	No.	Size	Length	Shape
a50(E)	24	#5	2'-0"	—
a55(E)	24	#5	3'-0"	—
b(F)	55	#5	40'-0"	—
b3(F)	22	#5	40'-0"	—
b6(E)	14	#6	40'-0"	—
b8(E)	5	#5	9'-5"	—
b9(E)	5	#5	35'-7"	—
b10(E)	2	#5	9'-5"	—
b11(E)	2	#5	35'-7"	—
d(E)	586	#5	3'-0"	—
d1(F)	586	#5	2'-7"	—
d2(E)	586	#4	3'-0"	—
d4(E)	586	#4	2'-10"	—
e85(E)	18	#4	35'-0"	—
e86(E)	60	#4	12'-9"	—
e87(E)	12	#4	7'-1"	—
e88(E)	12	#4	32'-5"	—
e89(E)	12	#4	28'-4"	—
e90(E)	16	#5	35'-0"	—
e91(E)	20	#5	12'-9"	—
e92(E)	4	#5	8'-1"	—
e93(E)	4	#5	32'-11"	—
e94(E)	4	#5	28'-10"	—
e95(E)	16	#8	35'-0"	—
e96(E)	24	#8	12'-9"	—
e97(E)	4	#8	35'-3"	—
e98(E)	4	#8	31'-2"	—
Reinforcement Bars, Epoxy Coated		Pound	16,510	
Concrete Removal		Cu. Yd.	138.9	
Concrete Superstructure		Cu. Yd.	126.4	
Hot Mix Asphalt Surface Removal (Deck)		Sq. Yd.	890	
Concrete Bridge Deck Hydro-Scarification - 1/2"		Sq. Yd.	890	
Bridge Deck Microsilica Concrete Overlay 2 1/2"		Sq. Yd.	977	
Drainage Scuppers - DS12		Ea.	6	
Protective Coat		Sq. Yd.	1,412	
Bridge Deck Grooving		Sq. Yd.	977	
Protective Shield		Sq. Yd.	400	

Reinforcement bars designated (E) shall be epoxy coated.



DECK PLAN OF SPANS A32 - A34

DECK & PARAPET REPAIRS - SPANS A32 - A34

REVISIONS	
NAME	DATE

STATE OF ILLINOIS
 DEPARTMENT OF TRANSPORTATION
 REHABILITATION AND RETROFIT REPAIRS
 FAI ROUTE 70
 POPLAR STREET BRIDGE APPROACHES
 ST. CLAIR COUNTY

STRUCTURE NO. 082-0141 (ROADWAY A)
 SCALE: N.T.S.
 DATE: 02/01/2007

DATE: 02/01/2007 FILENAME: P:\2001\1201-1300\20011240\Drafting\Roadway\Rehab_A1\RampA\parapet-deck_A_DP8284.dgn

DESIGNED	JPD
CHECKED	JEL
DRAWN	CLK
CHECKED	JPD