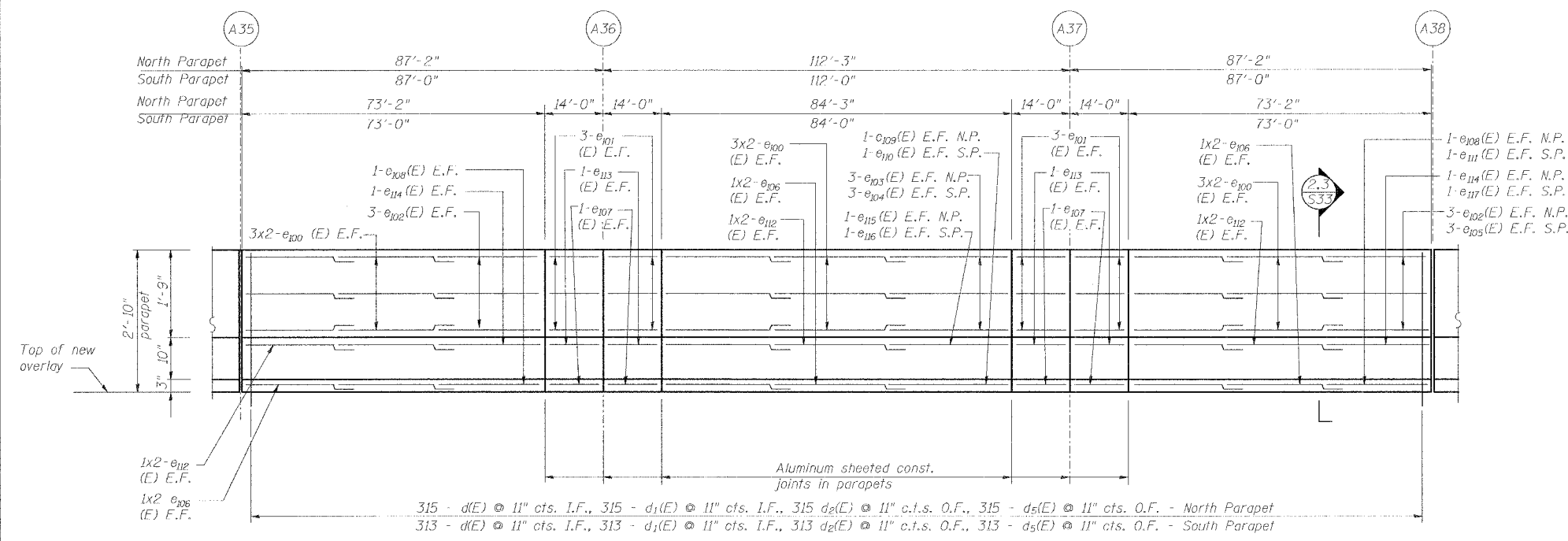


SUPERSTRUCTURE BILL OF MATERIAL

Bar	No.	Size	Length	Shape
a ₄₀ (E)	76	#5	2'-9"	
a ₃₅₀ (E)	48	#5	2'-0"	
a ₃₅₁ (E)	48	#5	3'-0"	
b(E)	70	#5	40'-0"	
b ₃ (E)	42	#5	40'-0"	
b ₆ (E)	16	#6	40'-0"	
b ₁₂ (E)	5	#5	21'-0"	
b ₁₃ (E)	6	#5	20'-5"	
b ₁₄ (E)	3	#5	21'-0"	
b ₁₅ (E)	3	#5	20'-5"	
d(E)	628	#5	3'-0"	
d ₁ (E)	628	#5	2'-7"	
d ₂ (E)	628	#4	3'-0"	
d ₅ (E)	628	#4	2'-7"	
e ₁₀₀ (E)	72	#4	35'-0"	
e ₁₀₁ (E)	48	#4	13'-9"	
e ₁₀₂ (E)	18	#4	6'-0"	
e ₁₀₃ (E)	6	#4	17'-3"	
e ₁₀₄ (E)	6	#4	18'-1"	
e ₁₀₅ (E)	6	#4	5'-10"	
e ₁₀₆ (E)	24	#5	35'-0"	
e ₁₀₇ (E)	16	#5	13'-9"	
e ₁₀₈ (E)	6	#5	7'-0"	
e ₁₀₉ (E)	2	#5	18'-3"	
e ₁₁₀ (E)	2	#5	19'-1"	
e ₁₁₁ (E)	2	#5	6'-10"	
e ₁₁₂ (E)	24	#8	35'-0"	
e ₁₁₃ (E)	16	#8	13'-9"	
e ₁₁₄ (E)	6	#8	11'-8"	
e ₁₁₅ (E)	2	#8	22'-11"	
e ₁₁₆ (E)	2	#8	23'-9"	
e ₁₁₇ (E)	2	#8	11'-6"	

Reinforcement Bars, Epoxy Coated	Pound	19,400
Concrete Removal	Cu. Yd.	161.1
Concrete Superstructure	Cu. Yd.	147.5
Hot Mix Asphalt Surface Removal (Deck)	Sq. Yd.	1,864
Bridge Deck Hydro-Scarification - 1/2"	Sq. Yd.	1,864
Bridge Deck Microsilica Concrete Overlay - 2 1/2"	Sq. Yd.	1,989
Drainage Scuppers - DS12	Ea.	12
Impact Attenuator Removal	Ea.	1
Impact Attenuator	Ea.	1
Protective Coat	Sq. Yd.	2,456
Bridge Deck Grooving	Sq. Yd.	1,989
Protective Shield	Sq. Yd.	390

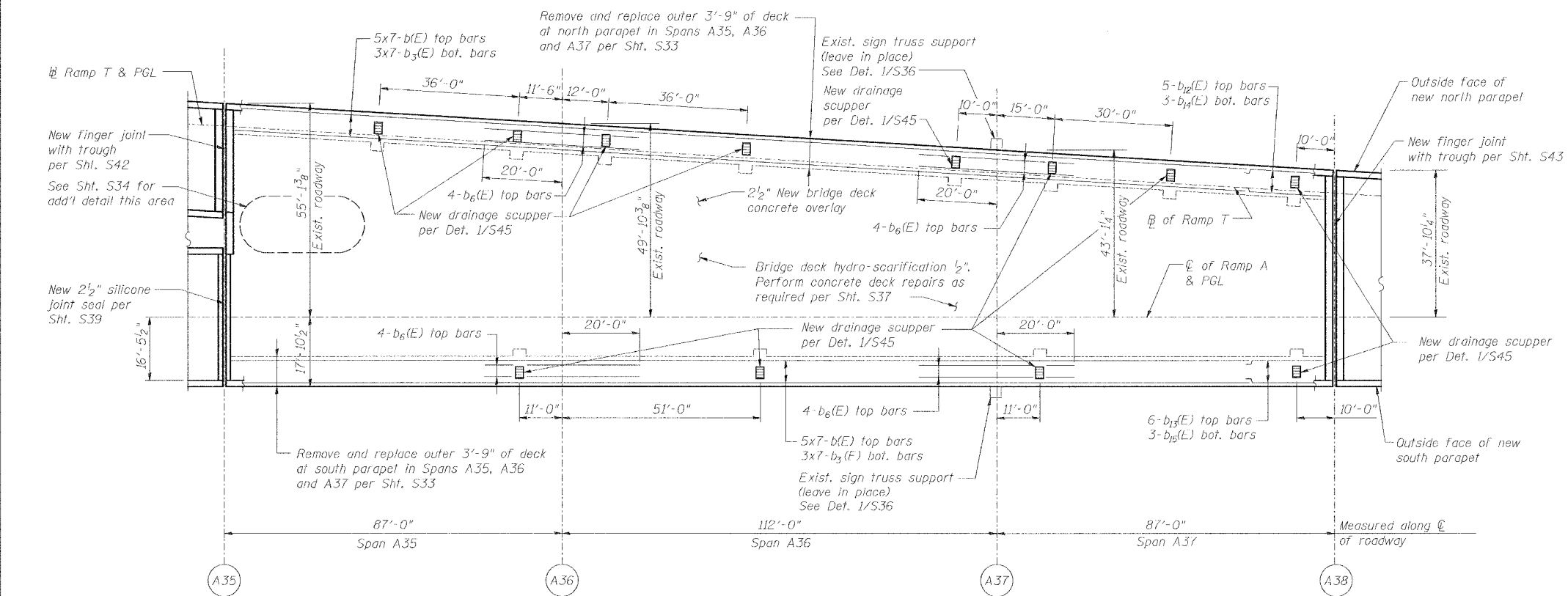
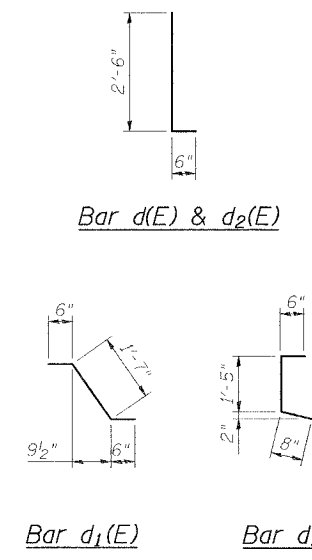
Reinforcement bars designated (E) shall be epoxy coated.



INSIDE ELEVATION OF NORTH PARAPET

South parapet similar except as noted
All dimensions measured along bottom of inside face of parapet
E.F. indicates each face
I.F. indicates inside face
O.F. indicates outside face

#4	1'-8"
#5	2'-2"
#6	2'-7"
#8	4'-6"



DECK PLAN OF SPANS A35 - A37

DECK & PARAPET REPAIRS - SPANS A35 - A37

REVISIONS	
NAME	DATE

STATE OF ILLINOIS
DEPARTMENT OF TRANSPORTATION
REHABILITATION AND RETROFIT REPAIRS
FAI ROUTE 70
POPLAR STREET BRIDGE APPROACHES
ST. CLAIR COUNTY

STRUCTURE NO. 082-0141 (ROADWAY A)
SCALE: N.T.S.
DATE: 02/01/2007

DATE: 1/22/2007 FILENAME: P:\2001\1901-1900\2001.1240\Drafting\Roadway\Rehab_A\1\Roadway\Parapet\Rehab_A_DP8537.dgn

DESIGNED	JPD
CHECKED	JEL
DRAWN	CLK
CHECKED	JPD