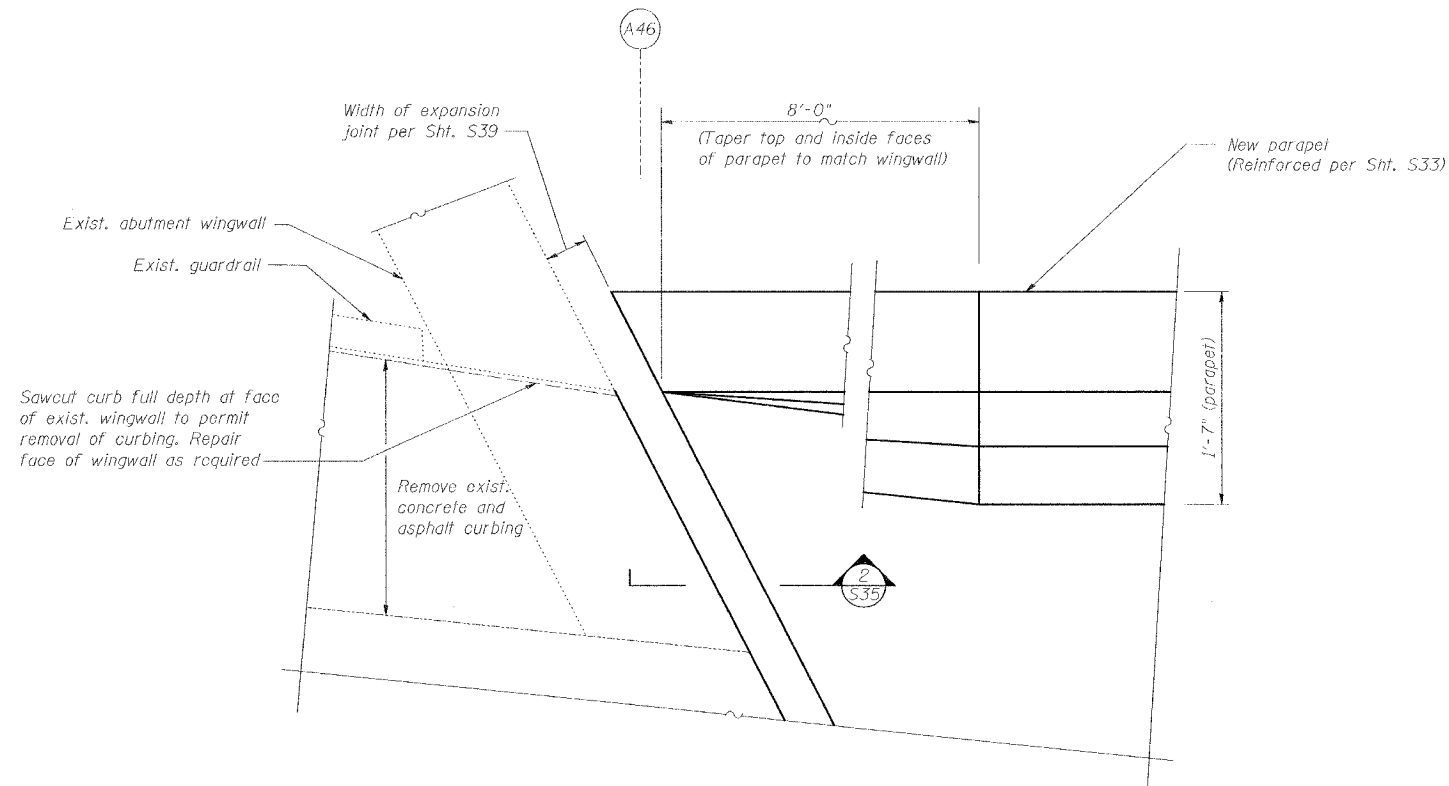
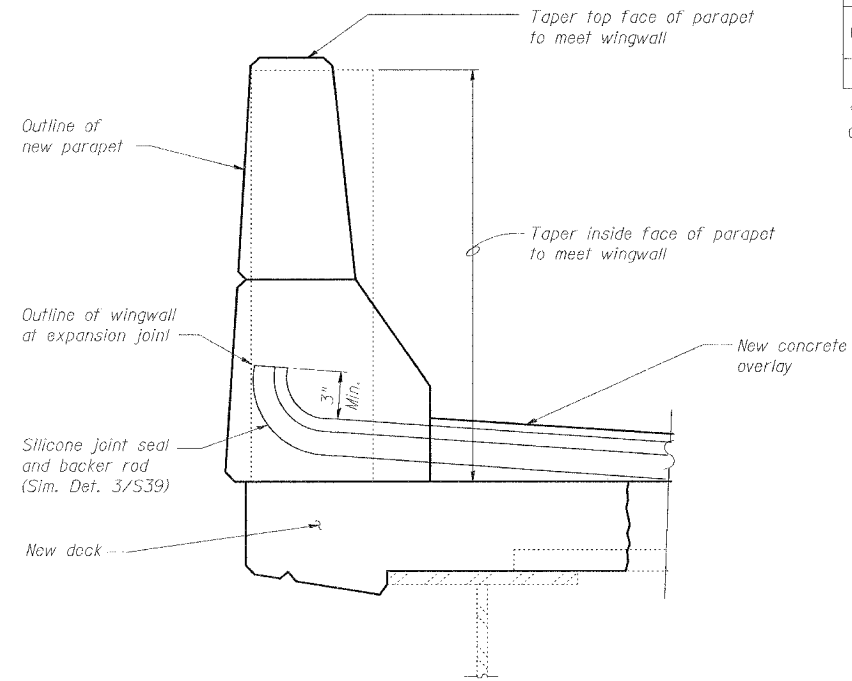


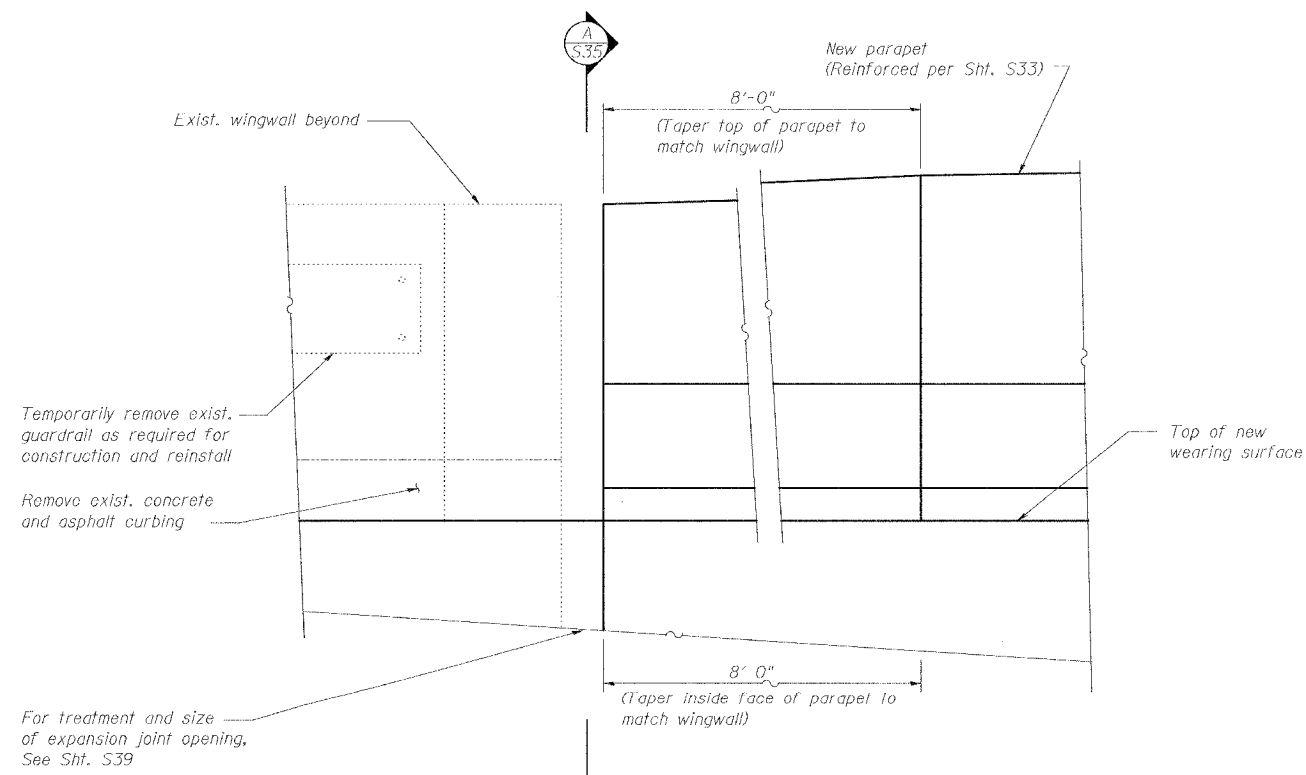
ROUTE NO.	SECTION	COUNTY	TOTAL SHEETS	SHEET NO.
F.A.I. 70	*	ST. CLAIR	99	56
FED. ROAD DIST. NO. 7	ILLINOIS	FED. AID PROJECT - IM-78		
* 82-3HVB-3R-5			SHEET S-35 OF S-56	
CONTRACT NO. 76985				



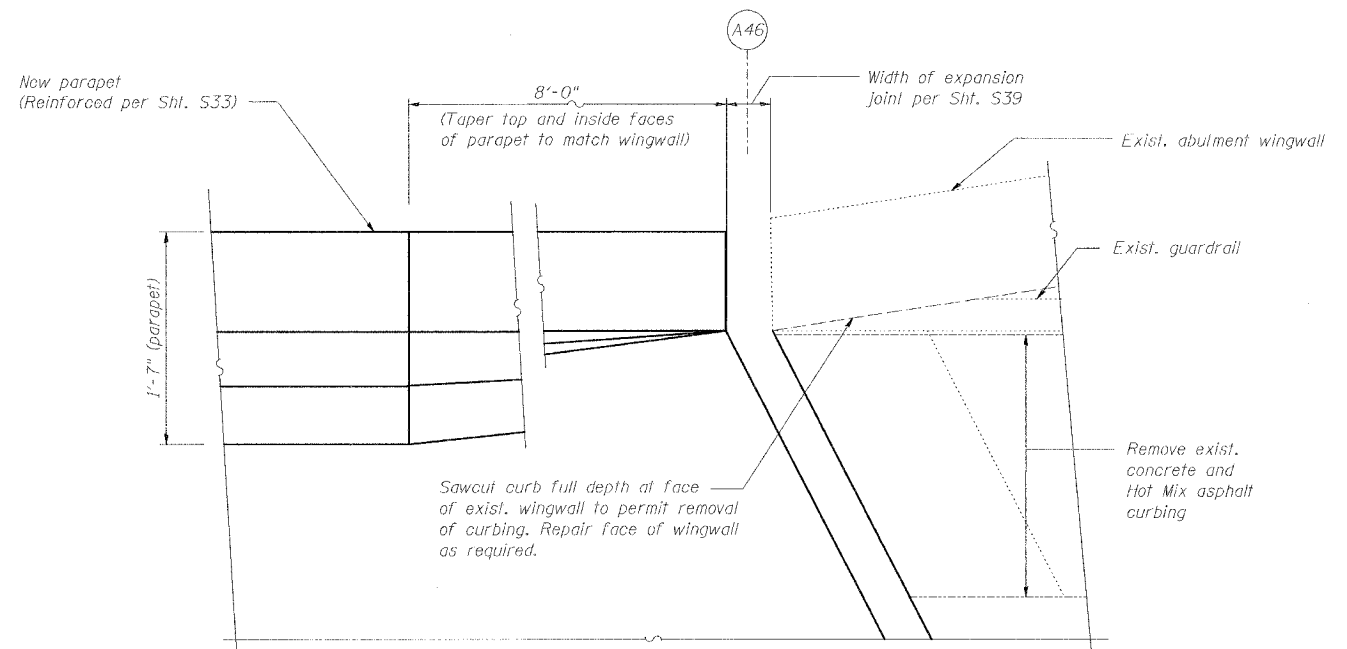
1 PLAN-SOUTH PARAPET END TREATMENT @ A46
S35



A SECTION A - PARAPET END TREATMENT @ A46
S35



2 ELEVATION-SOUTH PARAPET END TREATMENT @ A46
S35 (North Parapet similar, Opp. hand)



3 PLAN-NORTH PARAPET END TREATMENT @ A46
S35

SPECIAL PARAPET TERMINATION DETAILS

REVISIONS	
NAME	DATE

STATE OF ILLINOIS
DEPARTMENT OF TRANSPORTATION
REHABILITATION AND RETROFIT REPAIRS
FAI ROUTE 70
POPLAR STREET BRIDGE APPROACHES
ST. CLAIR COUNTY
STRUCTURE NO. 082-0141 (ROADWAY A)
SCALE: N.T.S.
DATE: 02/01/2007

DATE: 12/24/2007 FILENAME: P:\2001\1201-1800\2001.12.40\Drafting\Roadway\Rehab_A\Temp\A\para\A-PARA05.dgn

DESIGNED	JPD
CHECKED	CSD
DRAWN	CLK
CHECKED	JPD