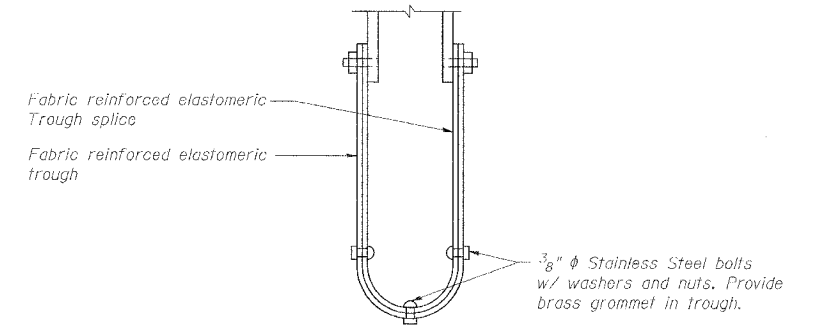
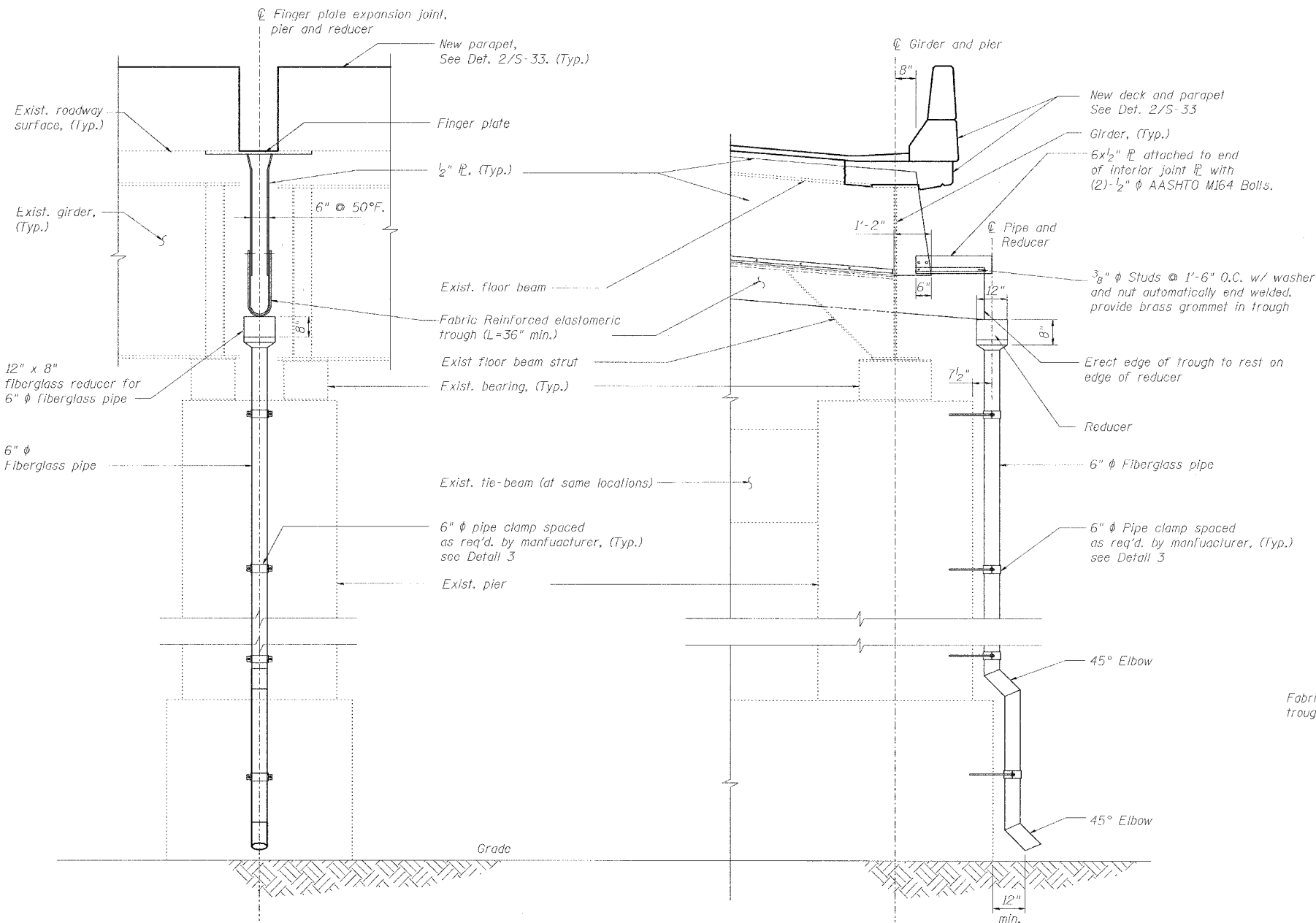


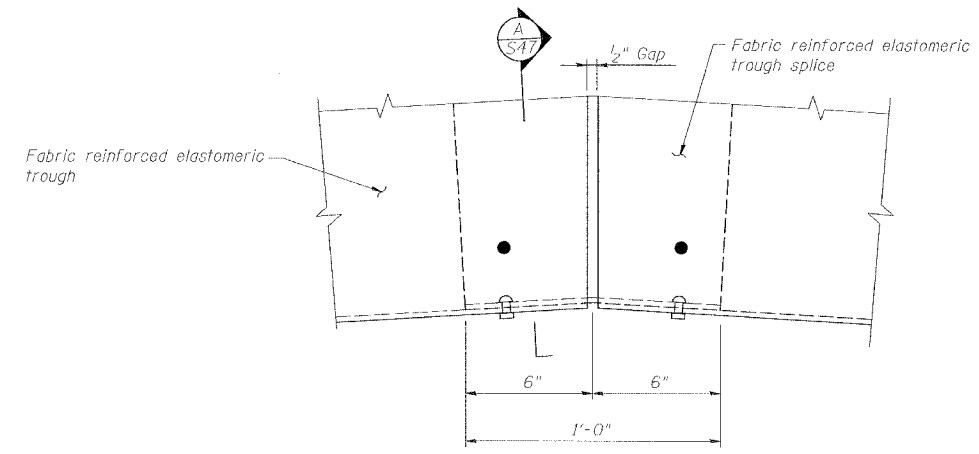
ROUTE NO.	SECTION	COUNTY	TOTAL SHEETS	SHEET NO.
F.A.I. 70	*	ST. CLAIR	99	68

FED. ROAD DIST. NO. 7 ILLINOIS FED. AID PROJECT- 1M-70

* 82-3HVB-3R-5 SHEET S-47 OF S-56
CONTRACT NO. 76985



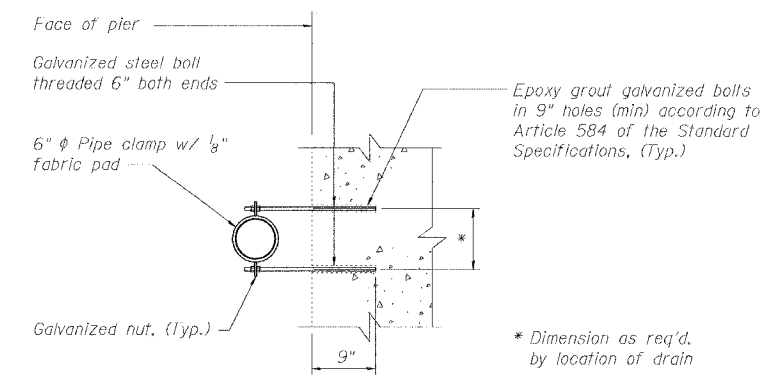
SECTION A-A



4 TROUGH SPLICE DETAIL
S47

1 FINGER JOINT MAT DRAINAGE DETAIL - END VIEW
S47

2 FINGER JOINT MAT DRAINAGE DETAIL - ELEVATION
S47



3 PIPE CLAMP DETAIL
S41

- Notes:
- The exterior surfaces of the furnished fiberglass pipe shall be colored or pigmented by the manufacturer with a color that matches the color of concrete.
 - Fiberglass pipe shall conform to ASTM D2996 with short-time rupture strength hoop tensile stress of 29,000 psi minimum. The surface of the fiberglass pipe shall be free of bond inhibiting agents.
 - The clamping device and inserts shall be galvanized according to AASHTO M232.
 - Space drilled holes in existing concrete to miss existing reinforcement.

REVISIONS	
NAME	DATE

SPECIAL DRAINAGE DETAILS
STATE OF ILLINOIS
DEPARTMENT OF TRANSPORTATION
REHABILITATION AND RETROFIT REPAIRS
F A I ROUTE 70
POPLAR STREET BRIDGE APPROACHES
ST. CLAIR COUNTY
STRUCTURE NO. 082-0141 (ROADWAY A)
SCALE: N.T.S.
DATE: 02/01/2007

DATE: 1/24/2007 FILENAME: P:\2001\1201-1300\2001.1240\Drafting\RoadwayRehab_A1\RampA\drai A-DRAI03.dgn

DESIGNED	JPD
CHECKED	CSD
DRAWN	CLK
CHECKED	JPD