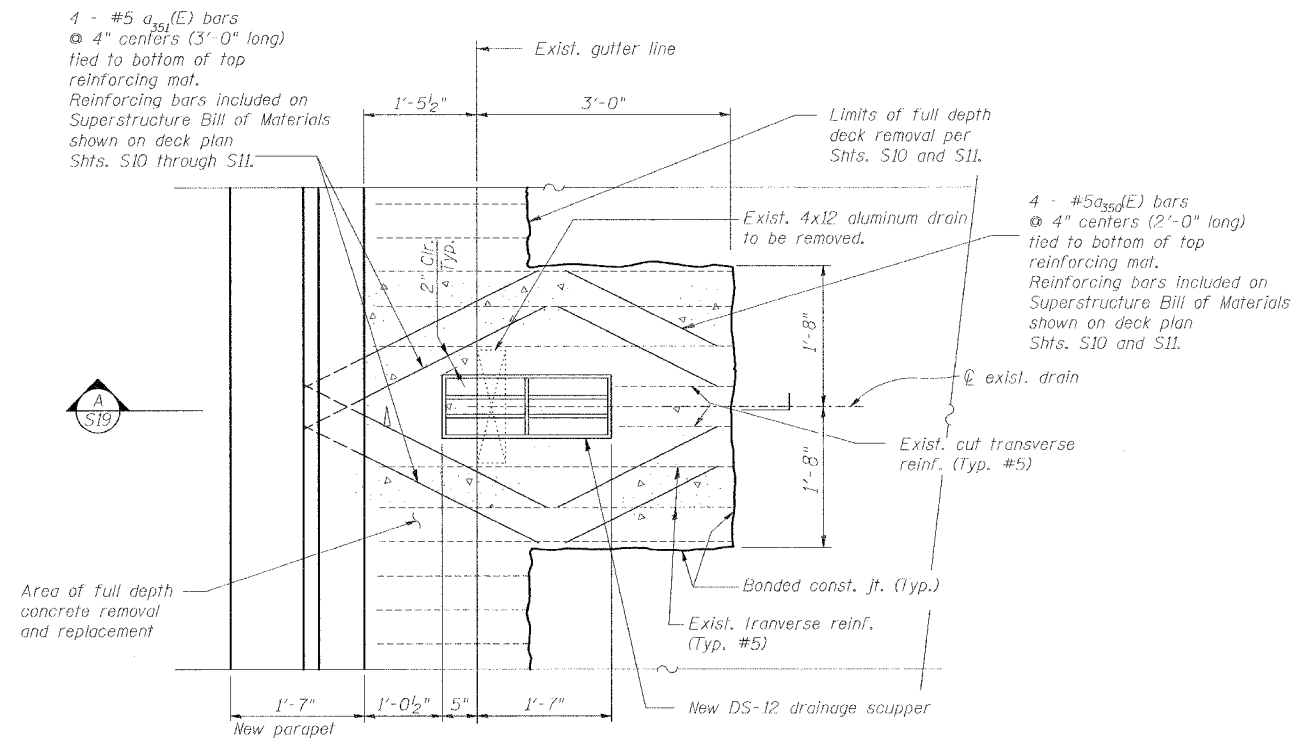
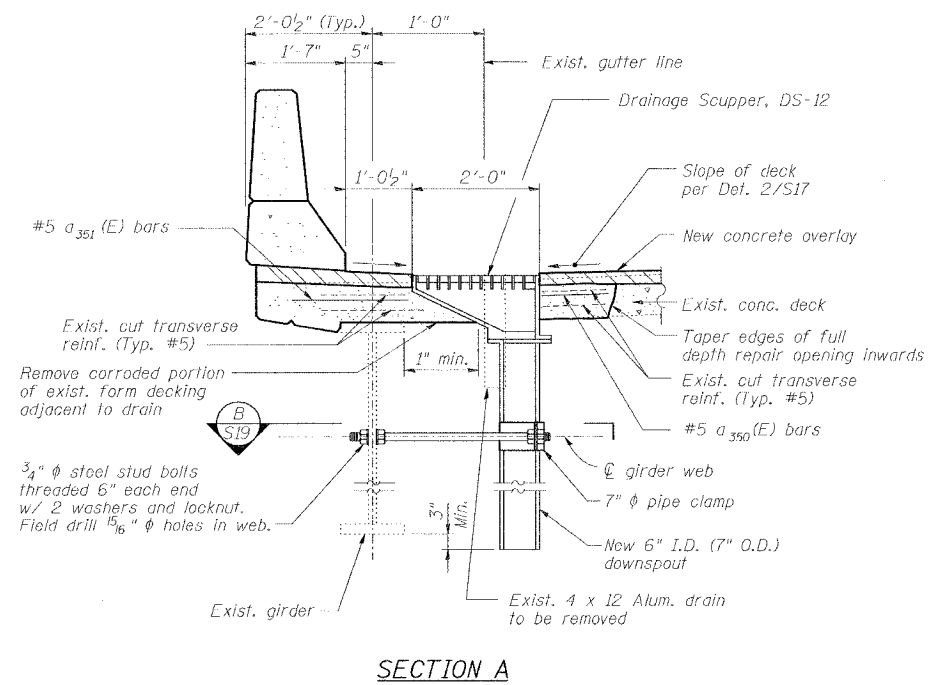


ROUTE NO.	SECTION	COUNTY	TOTAL SHEETS	SHEET NO.
F.A.I. 70	*	ST. CLAIR	99	96
FED. ROAD DIST. NO. 7	ILLINOIS	FED. AID PROJECT - IM-78		
* 82-3HVB-3R-5			SHEET S-19 OF S-22	
CONTRACT NO. 76985				

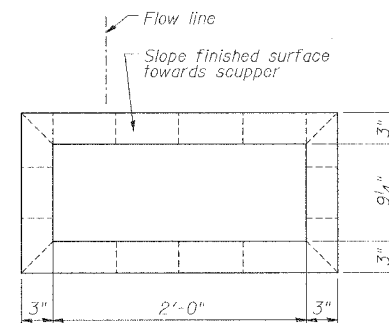


1 NEW DRAINAGE SCUPPER
S19

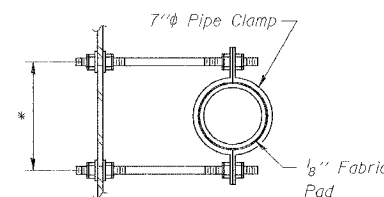
Note:
Exist. and new longitudinal reinforcement not shown for clarity. Cut exist. longitudinal reinforcement as necessary to clear new scupper.



SECTION A



TOP PLAN



SECTION B

* Dimension as required by Pipe Clamp

TYPICAL DRAINAGE DETAILS

STATE OF ILLINOIS
DEPARTMENT OF TRANSPORTATION
REHABILITATION AND RETROFIT REPAIRS
FAI ROUTE 70
POPLAR STREET BRIDGE APPROACHES
ST. CLAIR COUNTY

STRUCTURE NO. 082-0146 (Ramp T)

SCALE: N.T.S.

DATE: 02/01/2007

REVISIONS	
NAME	DATE

DATE: 12/24/2007
FILENAME: P:\2001\1201-1300\2001.1240\Drafting\RoadwayRehab_AVI\RampFl.dra\T-DRAI02.dgn

DESIGNED	JPD
CHECKED	CSD
DRAWN	CLK
CHECKED	JPD