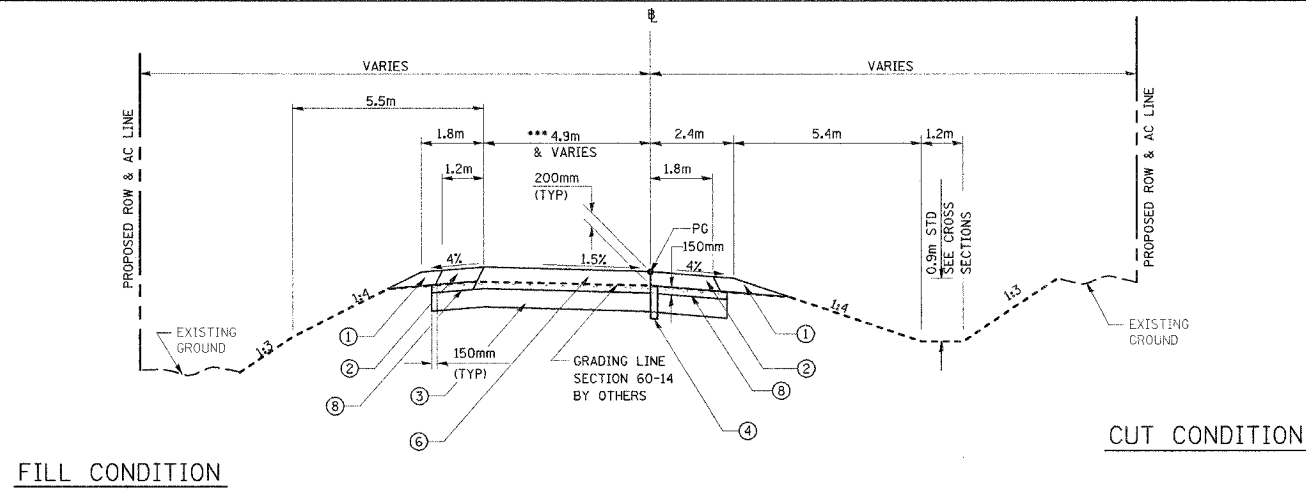


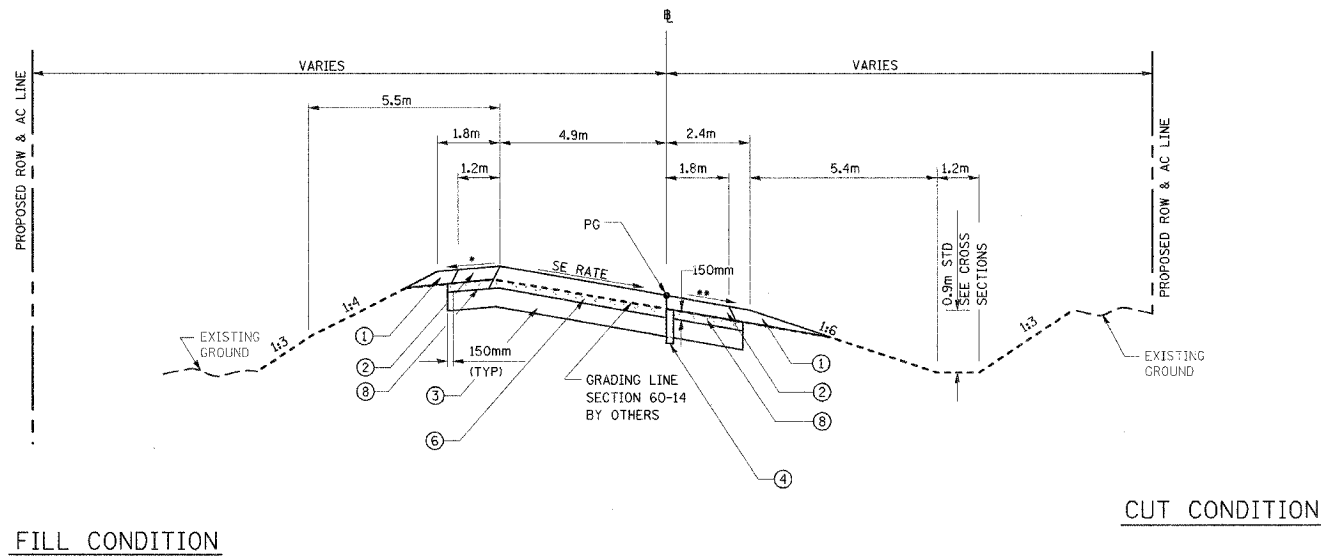
|   |                           |         |              |           |
|---|---------------------------|---------|--------------|-----------|
| F.A.P. RTE.                                   | SECTION                   | COUNTY  | TOTAL SHEETS | SHEET NO. |
| 310   | *                         | MADISON | 418          | 11        |
| STA.  | TO STA.                   |         |              |           |
| FED. ROAD DIST. NO.                           | ILLINOIS FED. AID PROJECT |         |              |           |
| SECTION 60-14-2 & 60-14-2B CONTRACT NO. 76986 |                           |         |              |           |



INTERCHANGE RAMPS  
PROPOSED TYPICAL TANGENT SECTION

RAMP NO 1  
STA 1+043.718 TO STA 1+276.131

\*\*\* RAMP 1 PAVEMENT WIDTH VARIES FROM 6.4m TO 4.9m



INTERCHANGE RAMPS  
PROPOSED TYPICAL SUPERELEVATED SECTION

RAMP NO 1  
STA 1+276.131 TO STA 1+356.131 SE TRANSITION  
STA 1+356.131 TO STA 1+367.042 FULL SE  
STA 1+367.042 TO STA 1+372.372 SE TRANSITION

\* 4% & VARIES, 8% MAXIMUM BREAKOVER  
\*\* 4% OR SE, WHICHEVER IS GREATER

EARTHWORK FOR SECTION 60-14-2

**STRUCTURAL DESIGN INFORMATION**  
**SEMINARY ROAD INTERCHANGE RAMPS**

ROAD CLASSIFICATION: CLASS 1

STRUCTURAL DESIGN TRAFFIC:  
PV=5,225 SU=165 MU=110

PERCENT OF STRUCTURAL DESIGN TRAFFIC IN DESIGN LANE  
P=100% S=100% M=100%

MINIMUM SUBGRADE SUPPORT RATING: POOR

FLEXIBLE PAVEMENT DESIGN: MINIMUM  $T_F = 7.90$

SELECTED DESIGN AC TYPE 20  
AC THICKNESS 350mm  
HOT-MIX ASPHALT BINDER COURSE, IL-19.0, N90, 300mm  
HOT-MIX ASPHALT SURFACE COURSE, STONE MATRIX ASPHALT, N80, 50mm

- LEGEND**
- ① AGGREGATE SHOULDER, TYPE B
  - ② HOT-MIX ASPHALT SHOULDERS, 200mm
  - ③ PROCESSING MODIFIED SOILS 300mm
  - ④ PIPE UNDERDRAIN PERFORATED CORRUGATED POLYETHYLENE TUBING, 100mm SPECIAL
  - ⑤ HOT-MIX ASPHALT PAVEMENT (FULL-DEPTH), 280mm
  - ⑥ HOT-MIX ASPHALT PAVEMENT (FULL-DEPTH), 350mm
  - ⑦ HOT-MIX ASPHALT PAVEMENT (FULL-DEPTH), 380mm
  - ⑧ SUB-BASE GRANULAR MATERIAL, TYPE C

| REVISIONS |      |
|-----------|------|
| NAME      | DATE |
|           |      |
|           |      |
|           |      |
|           |      |
|           |      |
|           |      |

ILLINOIS DEPARTMENT OF TRANSPORTATION  
**TYPICAL SECTIONS**

FAP ROUTE 310  
FAP ROUTE 310 SECTION 60-14-2, 60-14-2B  
MADISON COUNTY

DRAWN BY BANDY  
CHECKED BY STEUART

DATE