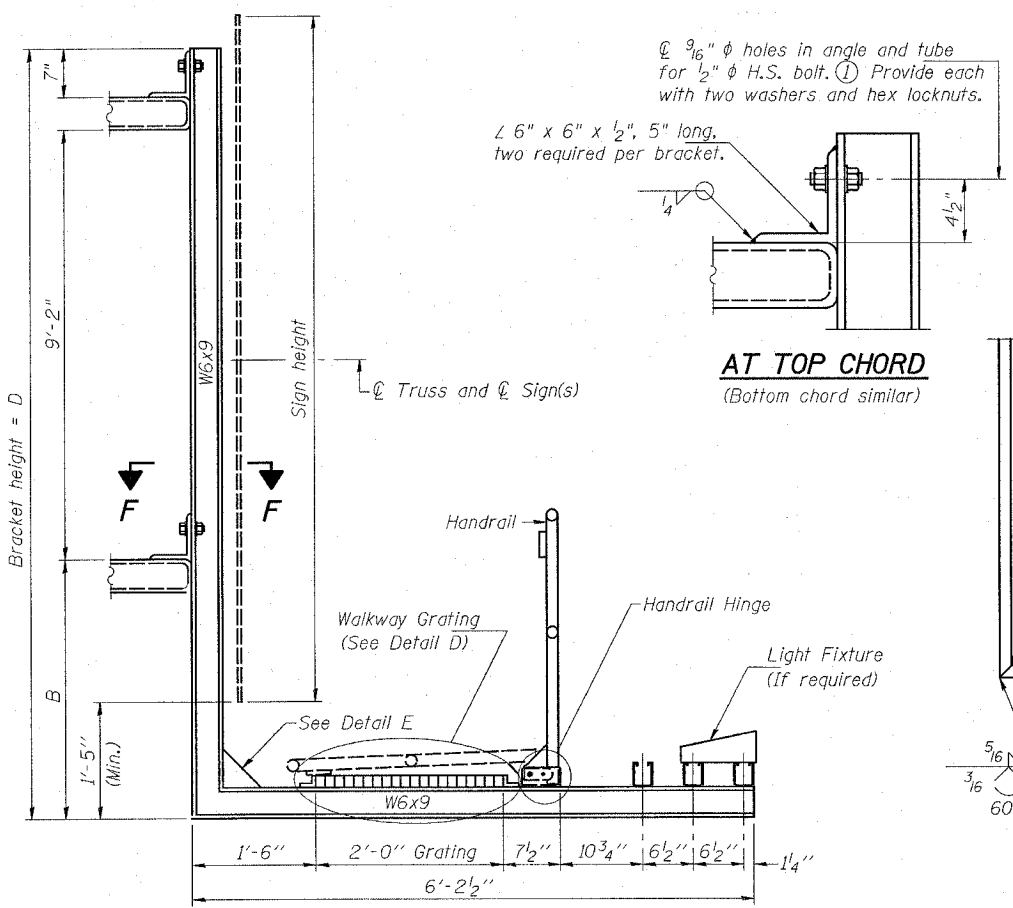


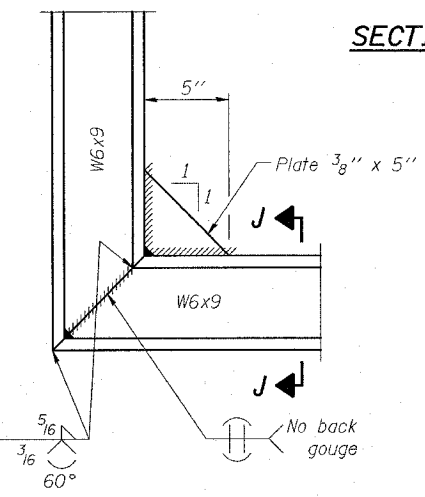
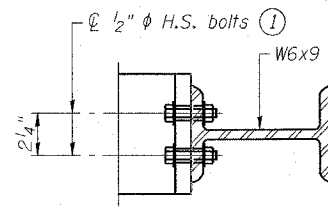
STATE OF ILLINOIS
 DEPARTMENT OF TRANSPORTATION



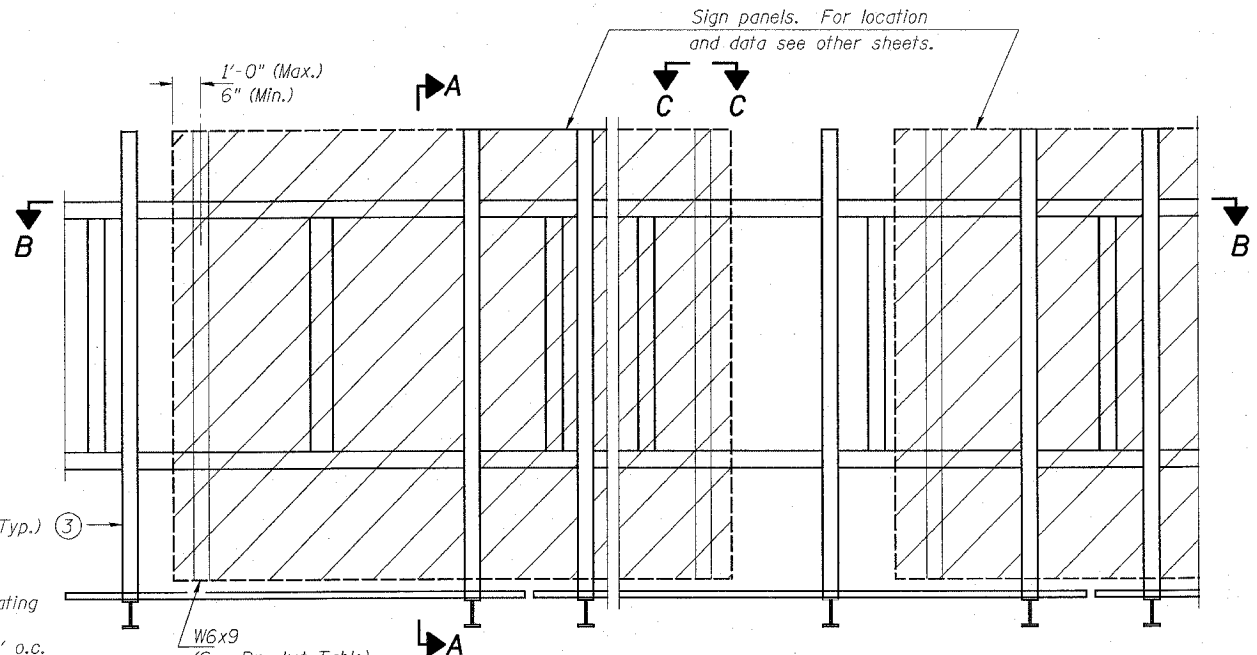
\mathcal{C} $\frac{9}{16}$ " ϕ holes in angle and tube for $\frac{1}{2}$ " ϕ H.S. bolt. (1) Provide each with two washers and hex locknuts.

\angle 6" x 6" x $\frac{1}{2}$ ", 5" long, two required per bracket.

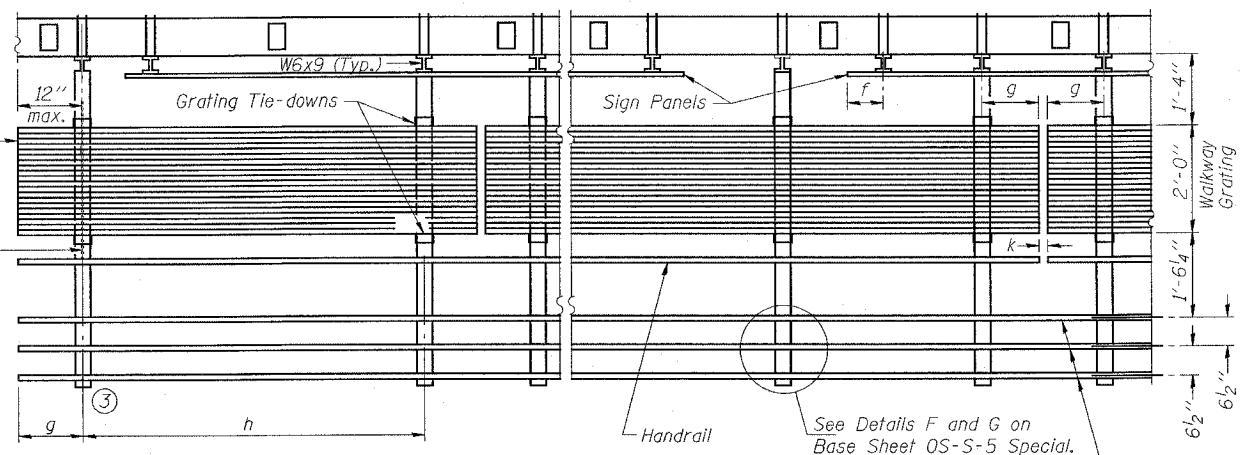
AT TOP CHORD
 (Bottom chord similar)



Standard Steel Grating
 Bars $\frac{3}{16}$ " x $1\frac{1}{2}$ "
 Bearing Bars $1\frac{3}{16}$ " o.c.
 Cross Bars 4" o.c.
 Steel shall conform to:
 ASTM A-569 with a
 minimum yield of 30,000 p.s.i.;
 or AASHTO M 270 Gr. 36,
 M 270 Gr. 50W, or M 270
 Gr. 50.



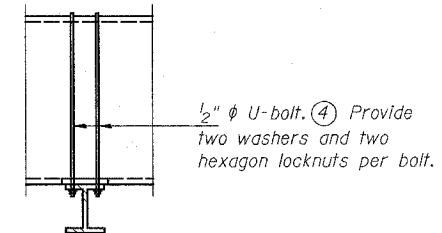
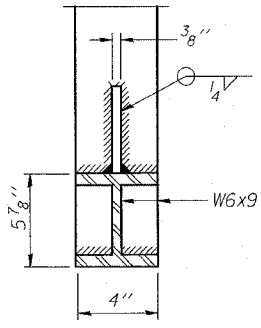
Walkway and Truss Grating width dimensions are nominal and may vary $\pm \frac{1}{2}$ " based on available standard widths.



f = 1'-0" maximum, 4" minimum (End of sign to \mathcal{C} of nearest bracket)
 g = 12" maximum, 4" minimum (End of walkway grating to \mathcal{C} of nearest support bracket)
 h = 6'-0" maximum (\mathcal{C} to \mathcal{C} sign and/or walkway support brackets)
 k = 2" maximum gap between adjacent walkway grating sections and handrail ends

- (1) M164, ASTM A325, or SAE Grade 5 bolts are acceptable alternates.
- (2) Steel shapes for walkway bracket and sign panel supports, including W6x9, $\angle 1\frac{1}{2}$ " x 2" x $\frac{1}{4}$ " and $\angle 6$ " x 6" x $\frac{1}{2}$ " shall be AASHTO M270 Gr. 36 or Gr. 50, or an equivalent acceptable to the Engineer.
- (3) End walkway brackets shall be spaced no more than 2'-0" from a truss vertical.
- (4) U-bolts, nuts and washers shall conform to ASTM A307, hot-dip galvanized per AASHTO M232.

Handrail and walkway shall span a minimum of three brackets between splices and/or gap joints. Place all sign and walkway brackets as close to panel points as practical. Grating, handrail and light support splices placed as needed. Walkway grating should extend a minimum of 4'-0" past the edge of pavement into the shoulder unless the shoulder width is less than 10'-0". If shoulder width is less than 10'-0" or if the structure is on a low speed ramp, the walkway grating may begin at edge of pavement.



$\frac{1}{2}$ " ϕ U-bolt. (4) Provide two washers and two hexagon locknuts per bolt.

BRACKET TABLE

W6x9 ASTM B308, Alloy 6061-T6		
Sign Width		Number Brackets Required
Greater Than	Less Than or Equal To	
	10'-0"	2
	16'-0"	3
	22'-0"	4
	28'-0"	5
	34'-0"	6

OVERHEAD SIGN STRUCTURES
 STEEL WALKWAY DETAILS

FAP 310
 SECTIONS 60-14-2 & 60-14-2B
 MADISON COUNTY

DESIGNED	200
CHECKED	EXAMINED
DRAWN	PASSED
CHECKED	ENGINEER OF BRIDGES AND STRUCTURES

Sign Structure Number	Station	B	D
8S060S255R006.3	18+430	4' 5"	14' 8"
ENG STA 1948+50			
8S060S255L013.9	30+760	4' 5"	14' 8"
8S060S255R016.0	34+025	4' 5"	14' 8"