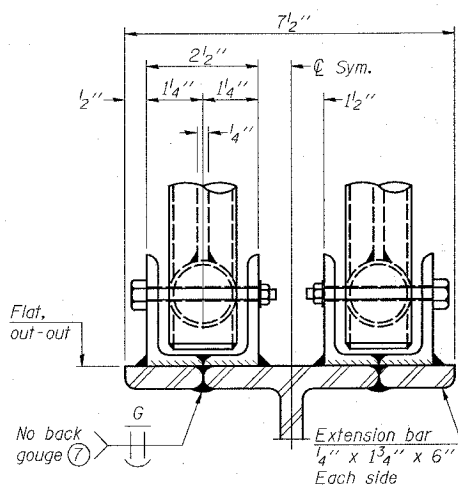
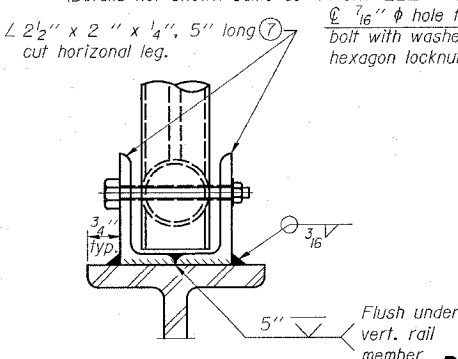


SIDE ELEVATION

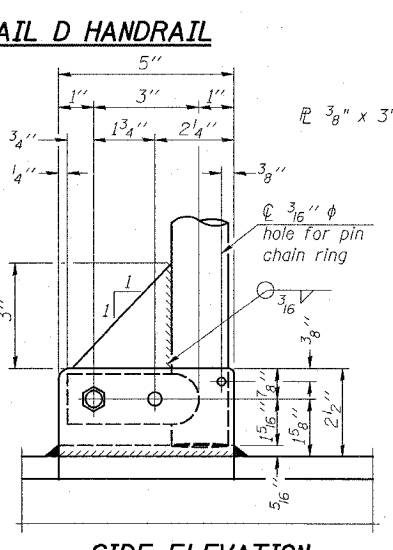
DETAIL D HANDRAIL



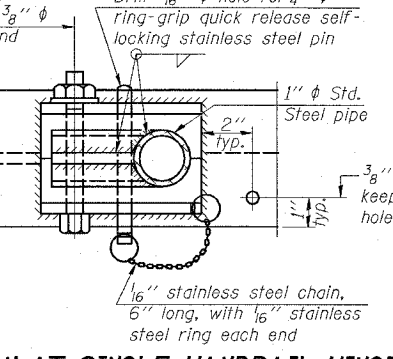
FRONT ELEVATION



NUMBER	REVISION	DATE

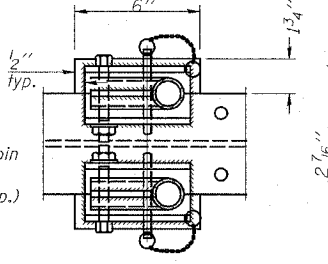


SIDE ELEVATION

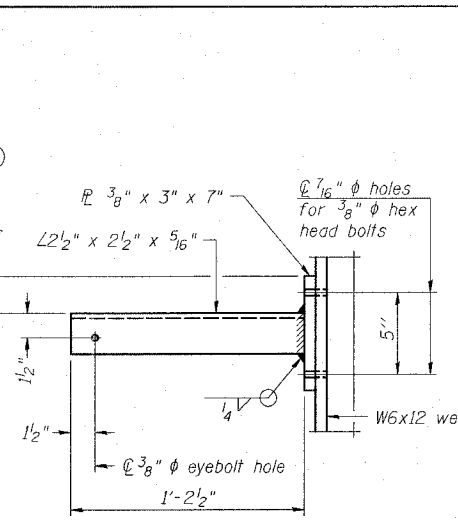


**PLAN AT SINGLE HANDRAIL HINGE
DETAIL E**

(With Sign Present)
Items not shown same as "SIDE ELEVATION" and "SAFETY CHAIN"

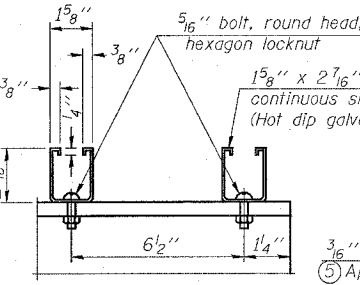


PLAN AT HANDRAIL JOINT



SECTION P-P

SAFETY CHAIN ATTACHMENT



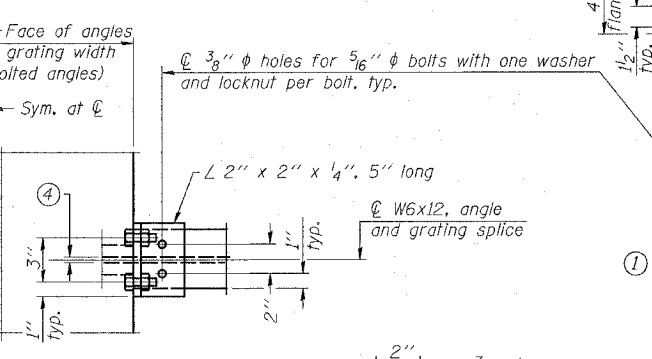
**SECTION F-F
LIGHTING FIXTURE MOUNTS**

NOTES

- Drilling holes in grating may be done in shop or field, based on Contractor's preference and subject to accurate alignment. Field drilled holes must be touched up with galvanized paint.
- Horizontal rail member shall be continuous thru 1 1/4" pipe. Provide 7/16" hole in 1 1/4" pipe for 3/8" bolt. Field drill 7/16" hole in horizontal rail member. Provide washer and locknut for bolt. (Use 5/16" eye-bolts in 7/16" holes on top rail at ends only.)
- Install standard force-fit end caps or weld 1/8" end plates with 1/8" c.f.w. and grind smooth. (All rail ends.)
- 3/8" (±1/4") gap between grating panels at splice.
- Chain to be type 304L stainless steel suitable for prolonged exterior exposure. Approximately 3'-6" long chain per location. Maximum sag with handrail erected = 4".
- 1/8" x 1/2" x 2" welded to handrail posts to protect locations that contact grating.
- Extrusions may be used in lieu of details shown, with approval by Engineer.
- Field cut ends of light support channels shall be free of burrs or hazardous projections and coated with zinc-rich primer or equivalent.

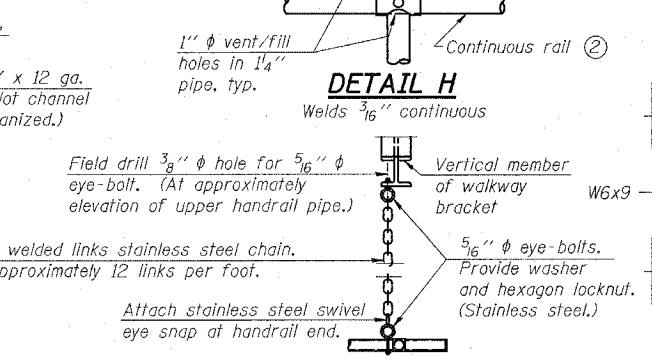
ALTERNATE FORMED PLANK GRATING DETAILS

Plank Grating: nominal depth = 2 1/2" (±1/2"); perforated or expanded steel sheet with a non-skid surface (non-serrated) concentrated load capacity = 500 lbs. with 6'-0" clear span.



VIEW W-W

GRATING CONTINUOUS AT GRATING SPLICE

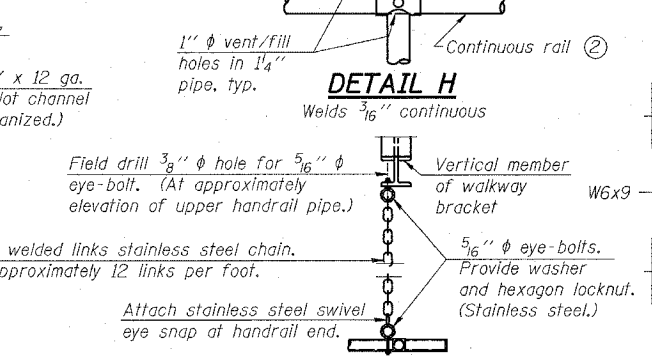


SAFETY CHAIN

One (1) required for each end of each walkway.

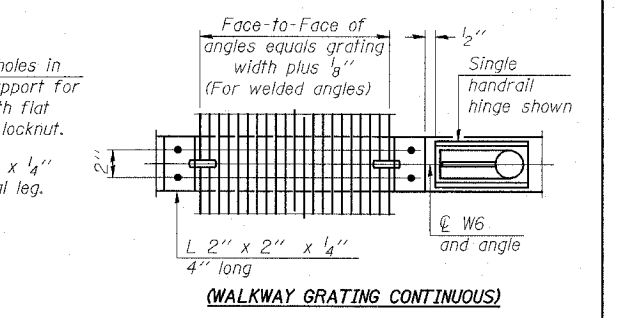
GRATING CONTINUOUS AT GRATING SPLICE

VIEW W-W

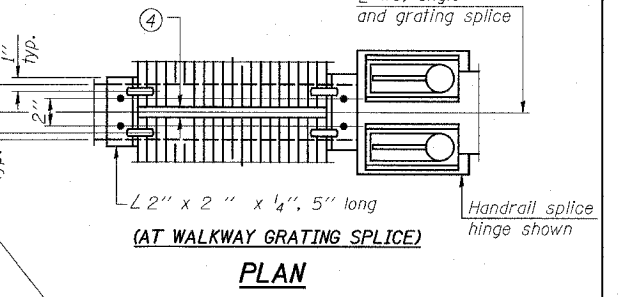


SAFETY CHAIN

One (1) required for each end of each walkway.

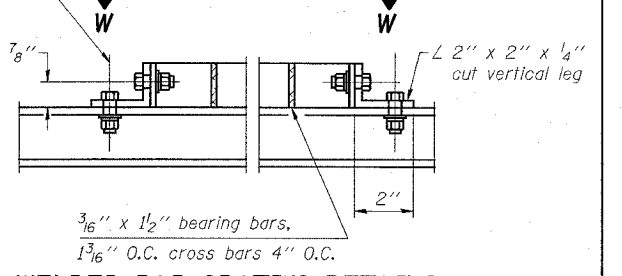


WALKWAY GRATING CONTINUOUS

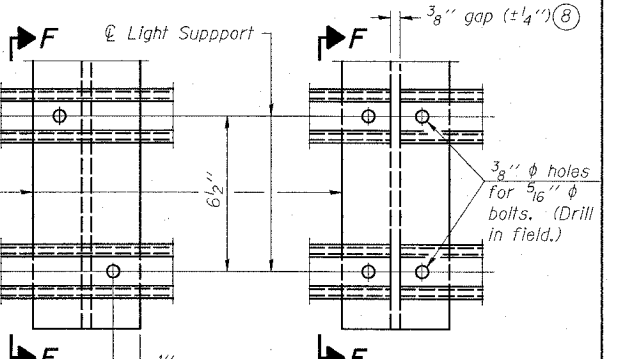


**WALKWAY GRATING SPLICE
(AT WALKWAY GRATING SPLICE)**

PLAN



WELDED BAR GRATING DETAILS



DETAIL F

DETAIL G

**BRIDGE MOUNT SIGN STRUCTURES
WALKWAY DETAILS**

FAP 310
SECTIONS 60-14-2 & 60-14-2B
MADISON COUNTY