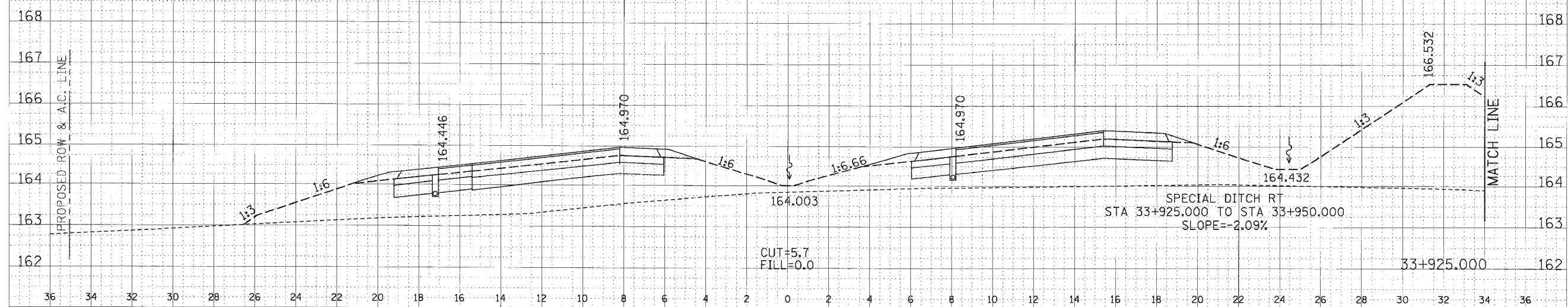
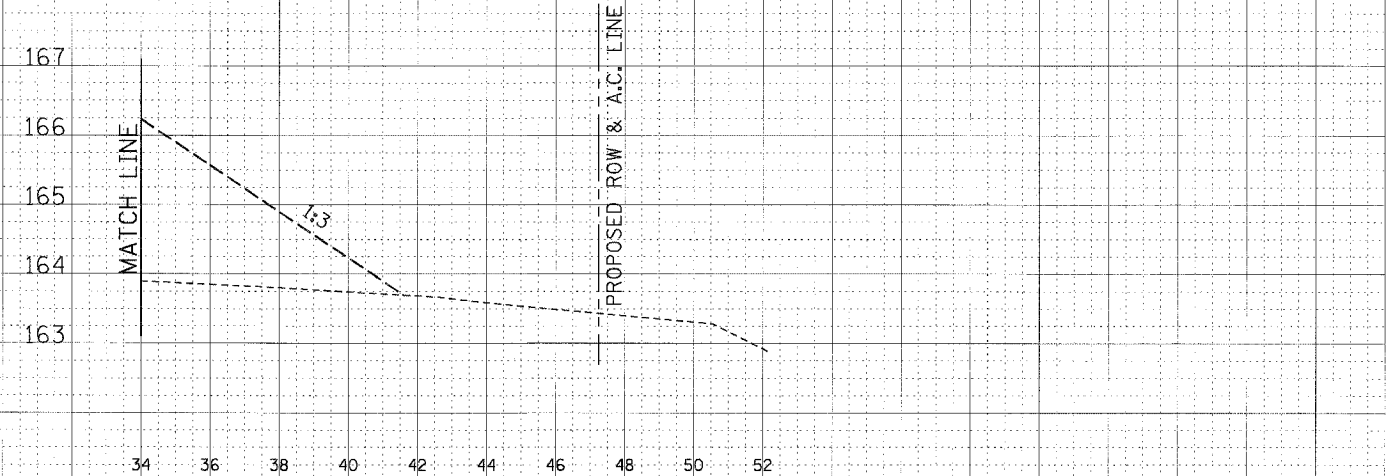
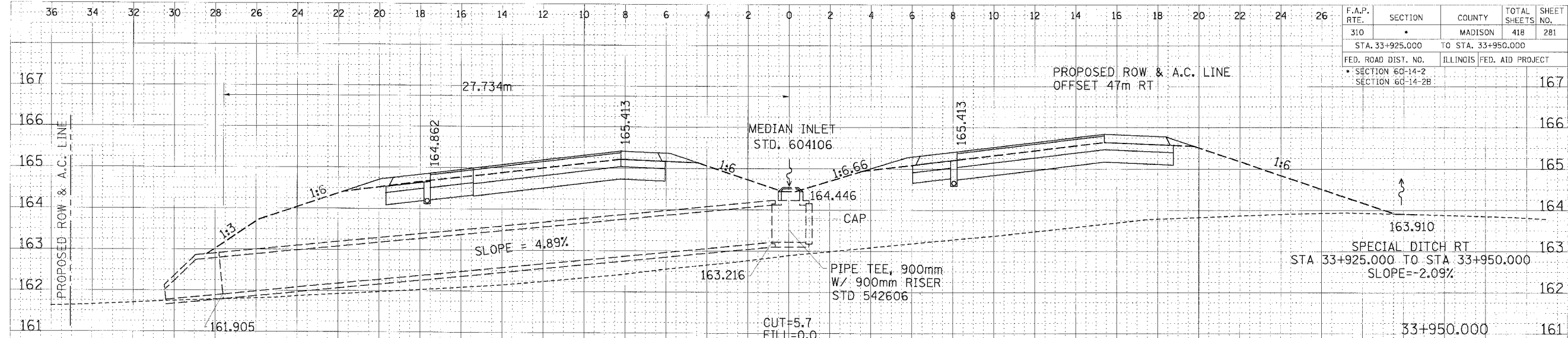


F.A.P. RTE.	SECTION	COUNTY	TOTAL SHEETS	SHEET NO.
310		MADISON	418	281
STA. 33+925.000 TO STA. 33+950.000				
FED. ROAD DIST. NO. ILLINOIS FED. AID PROJECT				
SECTION 60-14-2				
SECTION 60-14-2B				



CROSS SECTION, FAP ROUTE 310, STA 33+925.000 TO STA 33+950.000

FINAL SURVEY	DATE

ORIGINAL SURVEY	DATE

12/20/2007 2:42:40 PM