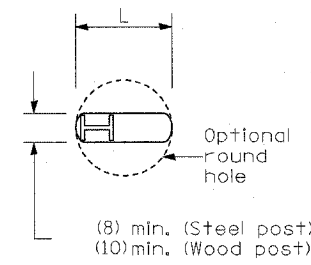
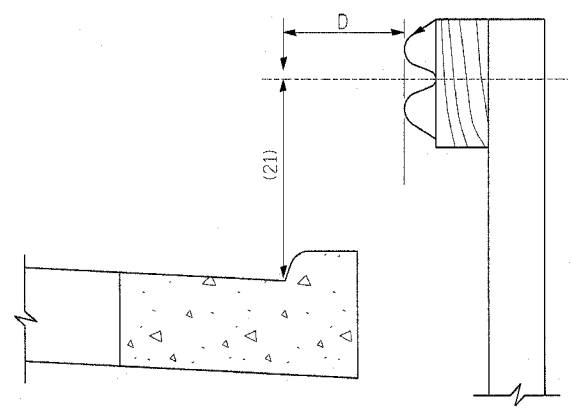


PLAN	REVISIONS	DATE
NOTE BOOK	PLotted	
NO. _____	FILED	
	BY _____	
	DATE _____	
	NO. _____	
	FILED	
	BY _____	
	DATE _____	



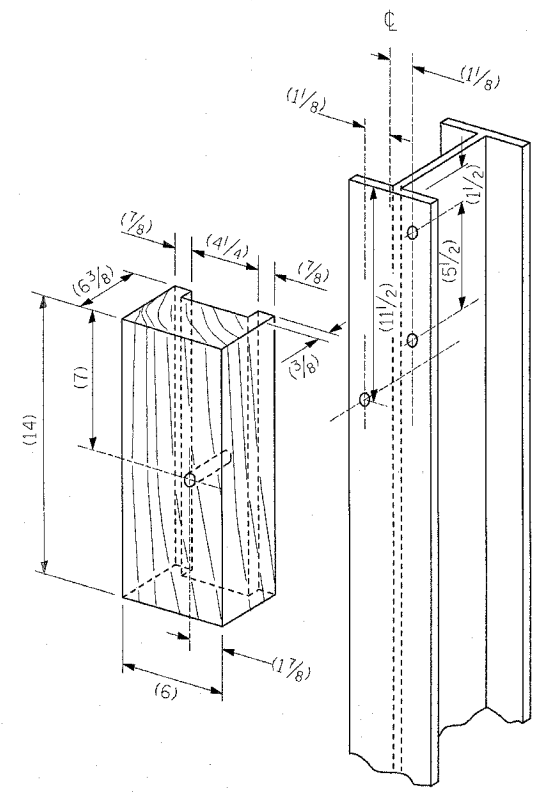
PLAN



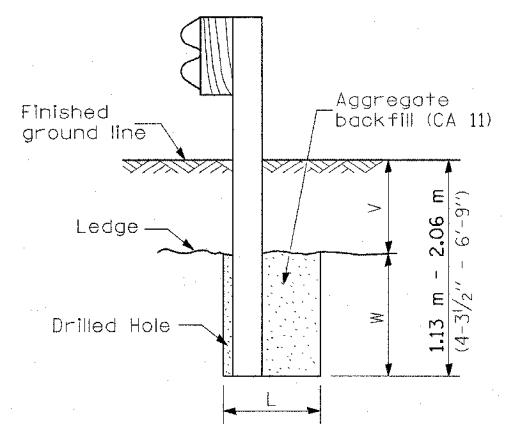
Note:
If it is necessary for D to be more than (12) and less than (10'-0") type (M-2) curb and gutter (Std. 606001) shall be used in front of and in advance of the guardrail.

GUARDRAIL PLACED BEHIND CURB

(D = 0 desirable to (12) maximum)



WOOD BLOCK-OUT AND STEEL POST DETAILS

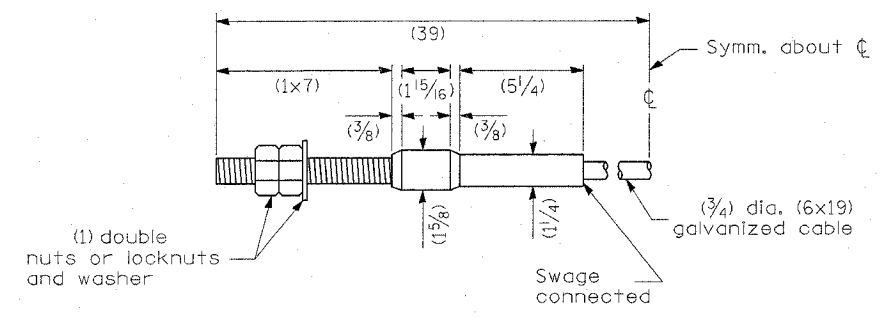


Note:
Ledge line is top of rock ledge or hard slag fill.

ELEVATION

FOOTING FOR POST WHEN IMPERVIOUS MATERIAL IS ENCOUNTERED

V	W	L	
		Steel Post	Wood Post
0 - 460 (0 - 18)	610 (24)	530 (21)	580 (23)
>460 - 825 (>18 - 41.5)	305 (12)	203 (8)	250 (10)
>825 - 1.13 m (>41.5 - 53.5)	305 - 0 (12 - 0)	203 (8)	250 (10)



CABLE ASSEMBLY

(18,100 kg (40,000 lbs.) min. breaking strength)
Tighten to taut tension.

REVISIONS	
NAME	DATE

ILLINOIS DEPARTMENT OF TRANSPORTATION
**STEEL PLATE BEAM
GUARDRAIL DETAIL**
FAP ROUTE 789
SECTION 125RS-1, 125I-2TS-2
MADISON COUNTY
DRAWN BY:

DATE: 2/24/2007
DRAWN BY: [Signature]
CHECKED BY: [Signature]
APP. BY: [Signature]