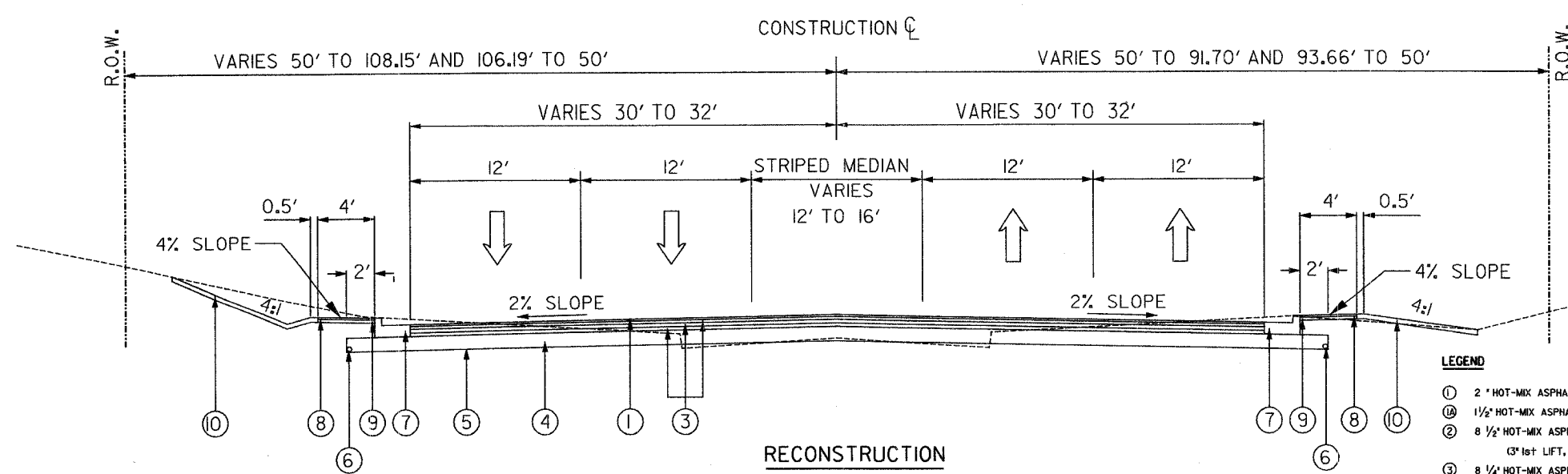


FILE NO.	SECTION	COUNTY	TOTAL SHEETS	SHEET NO.
1215	99-0069-05-WR	LAKE	153	10
TYPICAL CROSS SECTIONS: PROPOSED CONDITIONS				
CONTRACT NO. 83847		LAKE	SUNSET AVENUE	

ROW TABLE
OFFSETS FROM CONSTRUCTION CENTERLINE)

STA.	ROW LT	ROW RT
4+29.10	50.00	50.00
10+25.99	--	91.69
10+33.84	108.15	--
19+66.90	106.19	--
19+74.69	--	93.66
25+60.41	--	50.56
25+71.52	50.00	--
25+77.29	50.00	--
98+96.67 (NW)	38.30	--
100+97.15 (NW)	30.96	--
101+33.91 (NW)	--	30.60
99+03.19 (NW)	--	31.96
100+73.25 (NW)	--	46.35
27+20.00	50.00	--
27+32.95	--	50.00
35+82.38	--	50.00-60.00
46+51.29	50.00	--
46+70.8	--	60.0
46+76.41	76.17	--
46+81.28	--	80.00
47+36.91	74.00	--
47+40.94	--	80.00
47+50.44	--	60.00
47+62.04	50.00	--
49+00.00	--	60.00-50.00
54+40.28	--	50.00
54+41.56	50.00	--



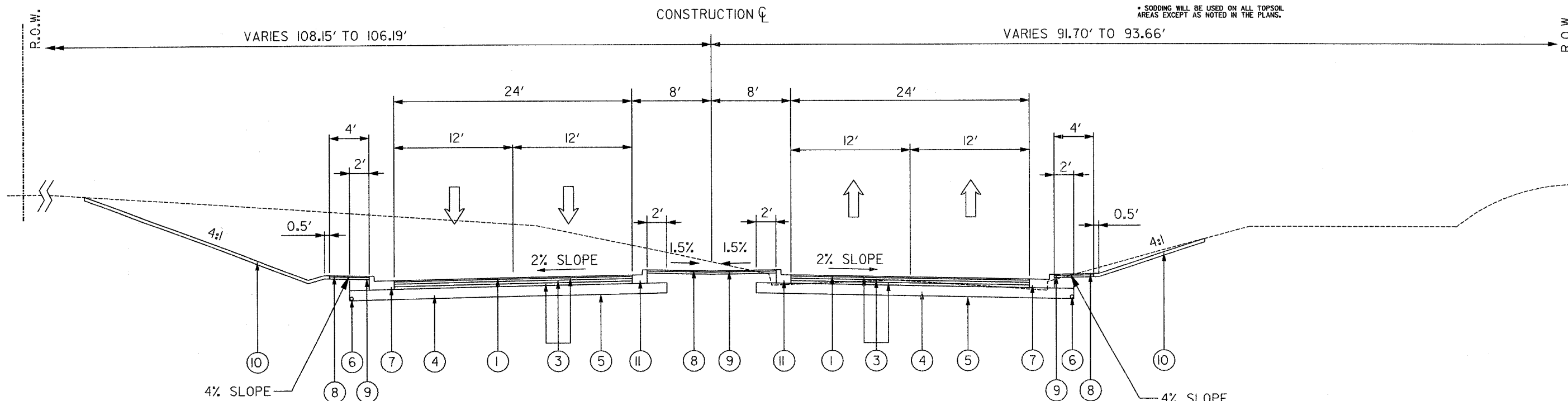
RECONSTRUCTION
STA. 5+00.00 TO STA. 10+77.55
STA. 19+84.90 TO STA. 23+96.00

*RESURFACE FROM 5+00 TO END OF STORAGE LANES AT STA. 3+10
(BIT SURFACE REMOVAL 1/2")
(BIT CONC SURFACE COURSE 1/2")

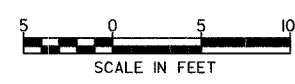
LEGEND

- ① 2" HOT-MIX ASPHALT SURFACE COURSE, MIX "D", N70
- ② 1 1/2" HOT-MIX ASPHALT SURFACE COURSE, MIX "D", N70
- ③ 8 1/2" HOT-MIX ASPHALT BINDER COURSE, IL-19.0, N70
(3" 1st LIFT, 3" 2nd LIFT, 2 1/2" 3rd LIFT)
- ④ 8 1/4" HOT-MIX ASPHALT BINDER COURSE, IL-19.0, N70
(3" 1st LIFT, 3" 2nd LIFT, 2 1/4" 3rd LIFT)
- ⑤ 12" AGGREGATE SUBGRADE
- ⑥ GEOTECHNICAL FABRIC FOR GROUND STABILIZATION
- ⑦ 4" PIPE UNDERDRAIN
- ⑧ PROPOSED COMBINATION CONCRETE CURB AND GUTTER B-6.24
- ⑨ 1 1/2" HOT-MIX ASPHALT SURFACE COURSE, MIX "D", N70
- ⑩ 2 1/2" HOT-MIX ASPHALT BINDER COURSE, IL-19.0, N70
- ⑪ 4" FURNISHING AND PLACING TOPSOIL
- ⑫ PROPOSED COMBINATION CONCRETE CURB AND GUTTER B-6.12 (SLOPE 2% TOWARDS PAVEMENT)
- ⑬ HOT-MIX ASPHALT SURFACE REMOVAL 1/2"
- ⑭ VARIABLE DEPTH HOT-MIX ASPHALT BINDER COURSE, IL-19.0, N70


*SODDING WILL BE USED ON ALL TOPSOIL AREAS EXCEPT AS NOTED IN THE PLANS.



RECONSTRUCTION WITH WIDENING AND MEDIAN
STA. 10+77.55 TO STA. 19+84.90



REVISIONS	
NAME	DATE


SUNSET AVENUE
TYPICAL CROSS SECTIONS
PROPOSED CONDITIONS

DATE	
BY	
SAVED	
PLOTTED	
NOTE BOOK	
NO.	

DATE	
BY	
SAVED	
PLOTTED	
NOTE BOOK	
NO.	