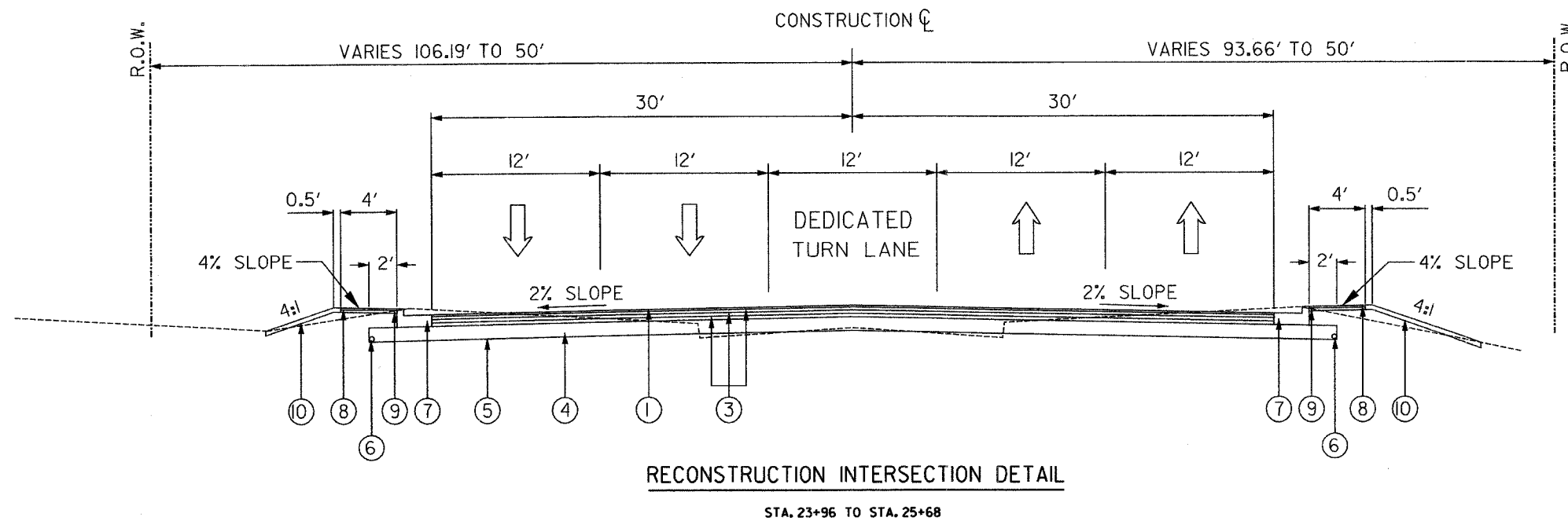
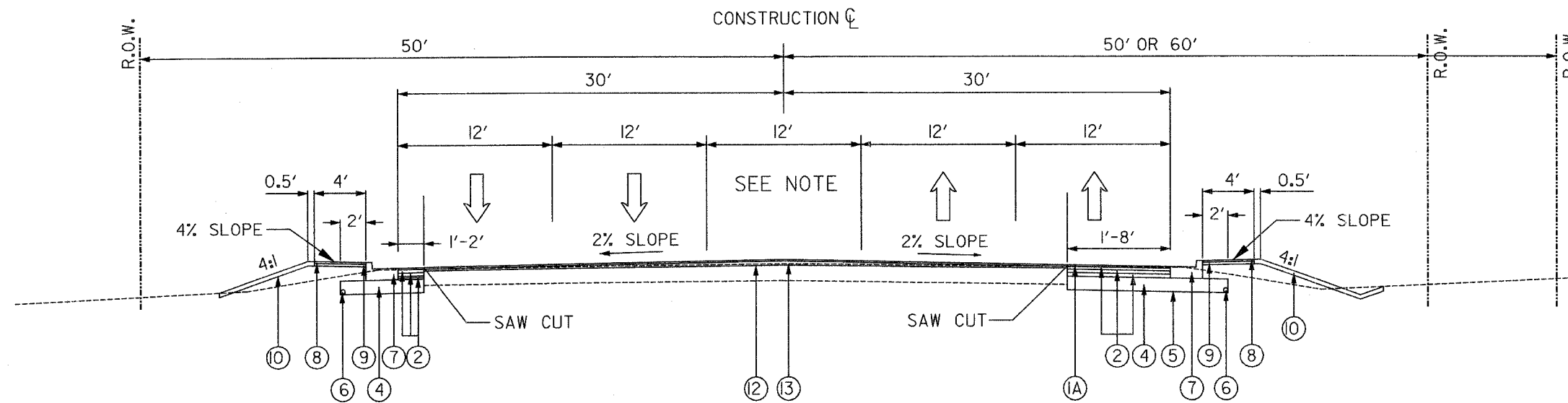


FILE NO.	SECTION	COUNTY	TOTAL SHEETS	SHEET NO.
1215	99-00169-05-WR	LAKE	153	11
TYPICAL CROSS SECTIONS: PROPOSED CONDITIONS				
CONTRACT NO. 83847			SUNSET AVENUE	



ROW TABLE
(OFFSETS FROM CONSTRUCTION CENTERLINE)

STA.	ROW LT	ROW RT
4+29.10	50.00	50.00
10+25.99	--	91.69
10+33.84	108.15	--
19+66.90	106.19	--
19+74.69	--	93.66
25+60.41	--	50.56
25+71.52	50.00	--
25+77.29	50.00	--
98+96.67 (NW)	38.30	--
100+97.15 (NW)	30.96	--
101+33.91 (NW)	--	30.60
99+03.19 (NW)	--	31.96
100+73.25 (NW)	--	46.35
27+20.00	50.00	--
27+32.95	--	50.00
35+82.38	--	50.00-60.00
46+51.29	50.00	--
46+70.8	--	60.0
46+76.41	76.17	--
46+81.28	--	80.00
47+36.91	74.00	--
47+40.94	--	80.00
47+50.44	--	60.00
47+62.04	50.00	--
49+00.00	--	60.00-50.00
54+40.28	--	50.00
54+41.56	50.00	--



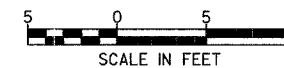
LEGEND

- ① 2" HOT-MIX ASPHALT SURFACE COURSE, MIX "D", N70
 - ② 1 1/2" HOT-MIX ASPHALT SURFACE COURSE, MIX "D", N70
 - ③ 8 1/2" HOT-MIX ASPHALT BINDER COURSE, IL-19.0, N70
(3" 1st LIFT, 3" 2nd LIFT, 2 1/2" 3rd LIFT)
 - ④ 8 1/4" HOT-MIX ASPHALT BINDER COURSE, IL-19.0, N70
(3" 1st LIFT, 3" 2nd LIFT, 2 1/4" 3rd LIFT)
 - ⑤ 12" AGGREGATE SUBGRADE
 - ⑥ GEOTECHNICAL FABRIC FOR GROUND STABILIZATION
 - ⑦ 4" PIPE UNDERDRAIN
 - ⑧ PROPOSED COMBINATION CONCRETE CURB AND GUTTER B-6.24
 - ⑨ 1 1/2" HOT-MIX ASPHALT SURFACE COURSE, MIX "D", N70
 - ⑩ 2 1/2" HOT-MIX ASPHALT BINDER COURSE, IL-19.0, N70
 - ⑪ * FURNISHING AND PLACING TOPSOIL
 - ⑫ PROPOSED COMBINATION CONCRETE CURB AND GUTTER B-6J2 (SLOPE 2% TOWARDS PAVEMENT)
 - ⑬ HOT-MIX ASPHALT SURFACE REMOVAL 1/2"
 - ⑭ VARIABLE DEPTH HOT-MIX ASPHALT BINDER COURSE, IL-19.0, N70
- * SODDING WILL BE USED ON ALL TOPSOIL AREAS EXCEPT AS NOTED IN THE PLANS.

RESURFACING AND WIDENING

STA. 25+68 TO STA. 53+58

NOTE:
LEFT TURN LANE FROM STA. 25+68 TO STA. 29+10.
DUAL LEFT TURN LANE FROM STA. 29+10 TO STA. 45+53.
LEFT TURN LANE FROM STA. 45+53 TO STA. 48+81.
DUAL LEFT TURN LANE FROM STA. 48+81 TO STA. 53+58.



REVISIONS	
NAME	DATE



SUNSET AVENUE
TYPICAL CROSS SECTIONS
PROPOSED CONDITIONS

DATE	BY	REVISION

PLAN
DATE: / /
DRAWN BY:
CHECKED BY:
IN CHARGE:
NOTE BOOK NO.

DATE	BY	REVISION

PROFILE
DATE: / /
DRAWN BY:
CHECKED BY:
IN CHARGE:
NOTE BOOK NO.