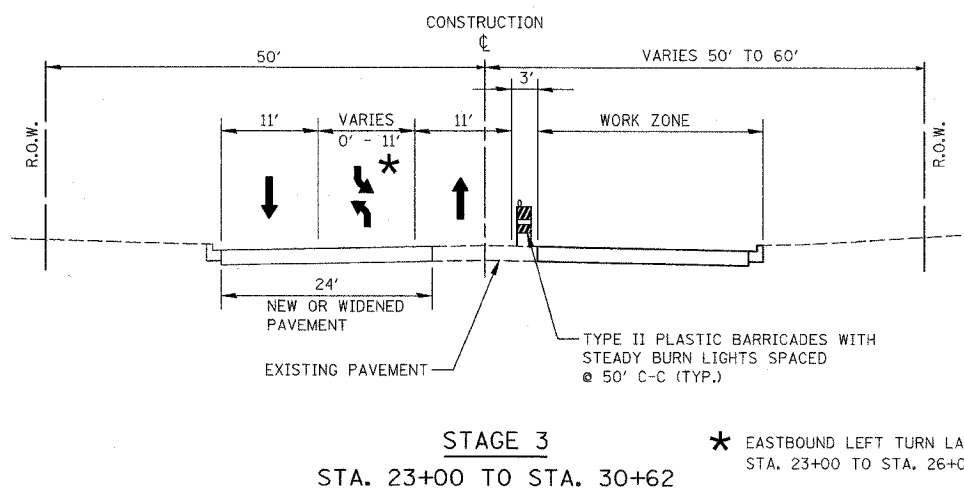
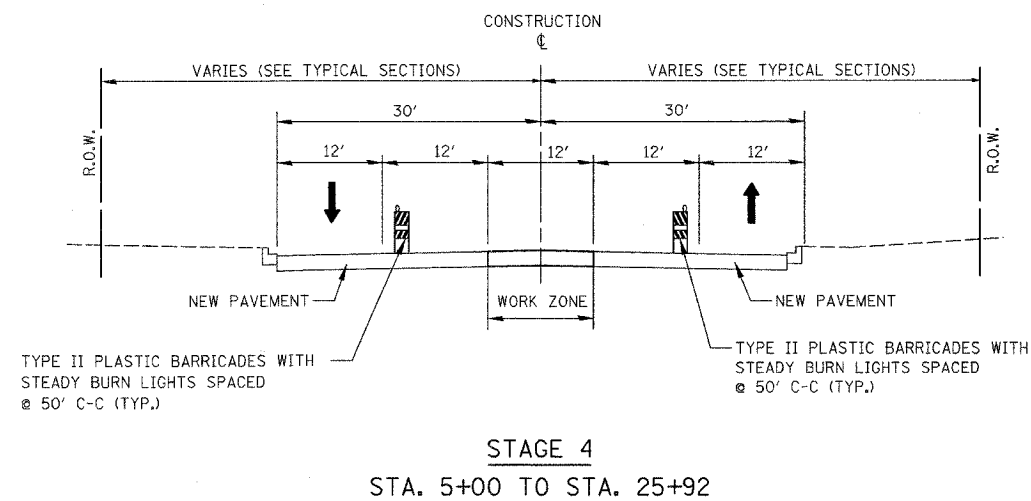
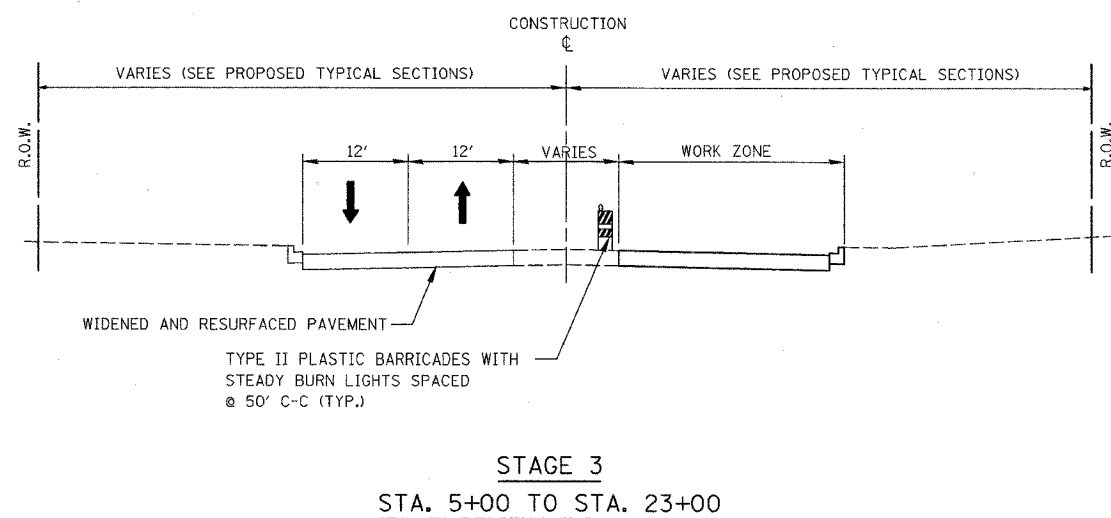
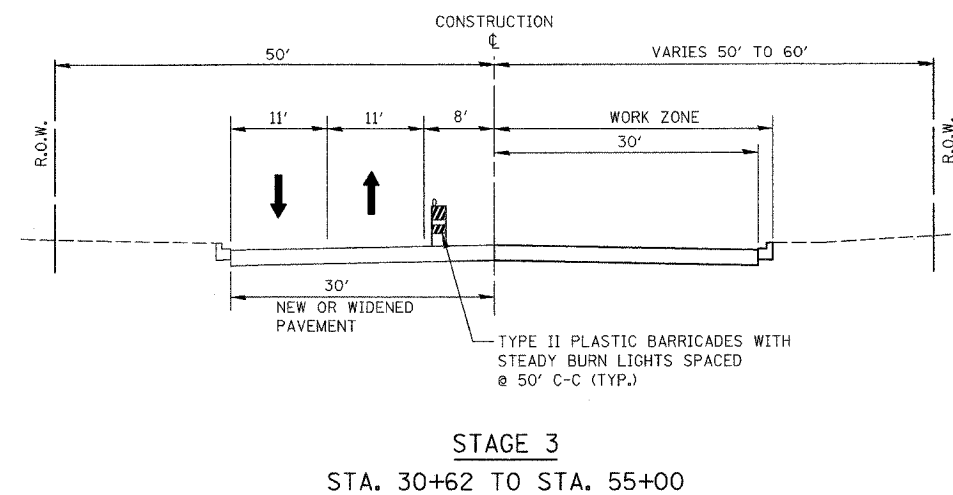
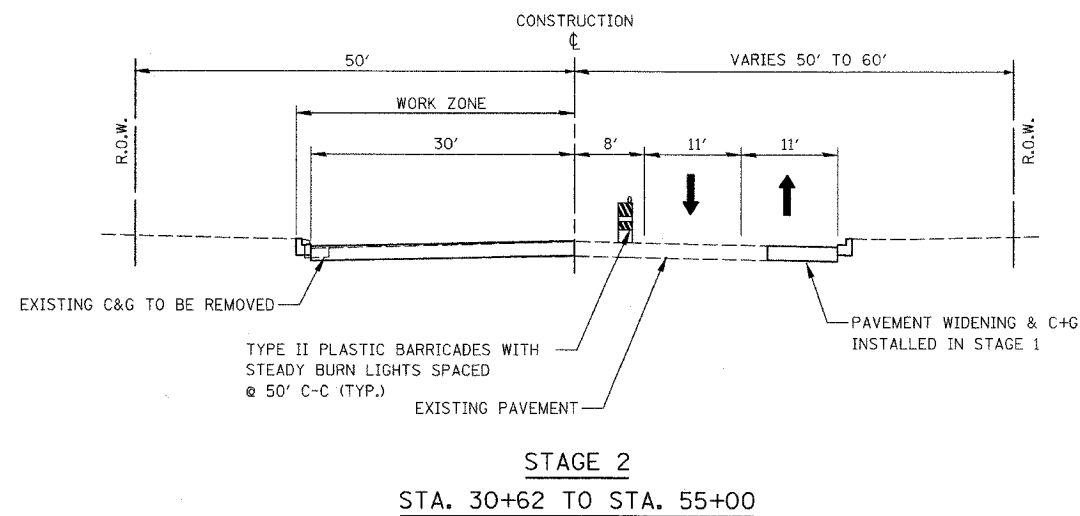



FALL SITE	SECTION	COUNTY	TOTAL SHEETS	SHEET NO
1215	99-00169-05-WR	LAKE	153	45
CONTRACT NO. 83847		ILLINOIS	SUNSET AVENUE	



* EASTBOUND LEFT TURN LANE
STA. 23+00 TO STA. 26+00
WESTBOUND LEFT TURN LANE
STA. 27+10 TO STA. 30+62

STAGE 5
SURFACE COURSE TO BE CONSTRUCTED THROUGHOUT PROJECT LIMIT

REVISIONS	
NAME	DATE


SUNSET AVENUE
TRAFFIC CONTROL
TYPICAL SECTIONS