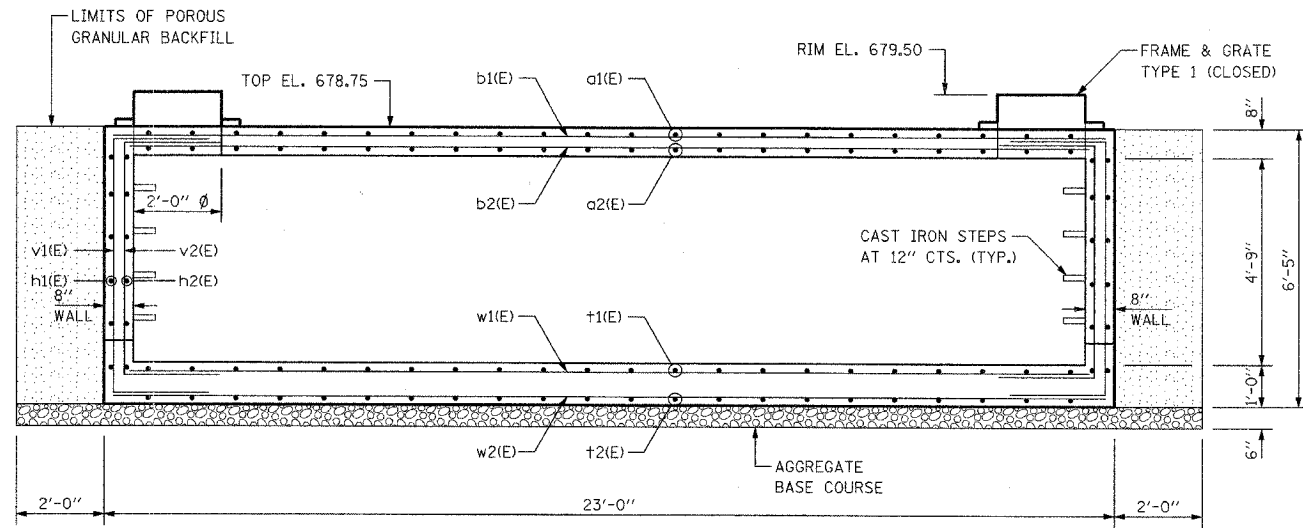
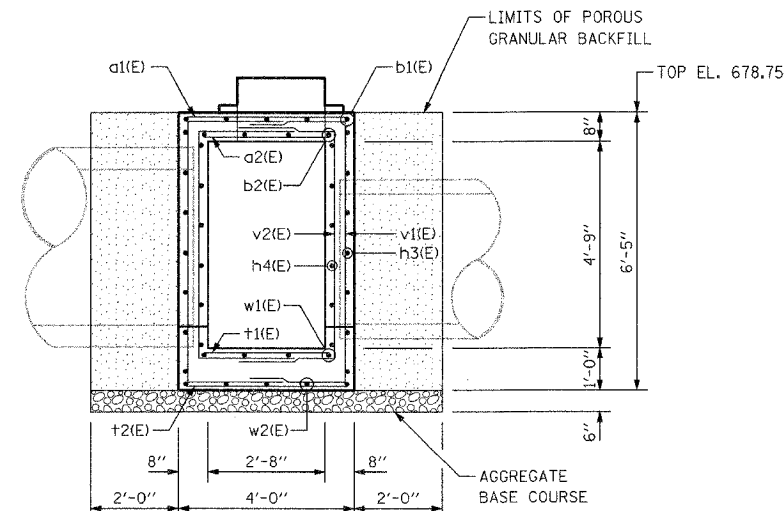


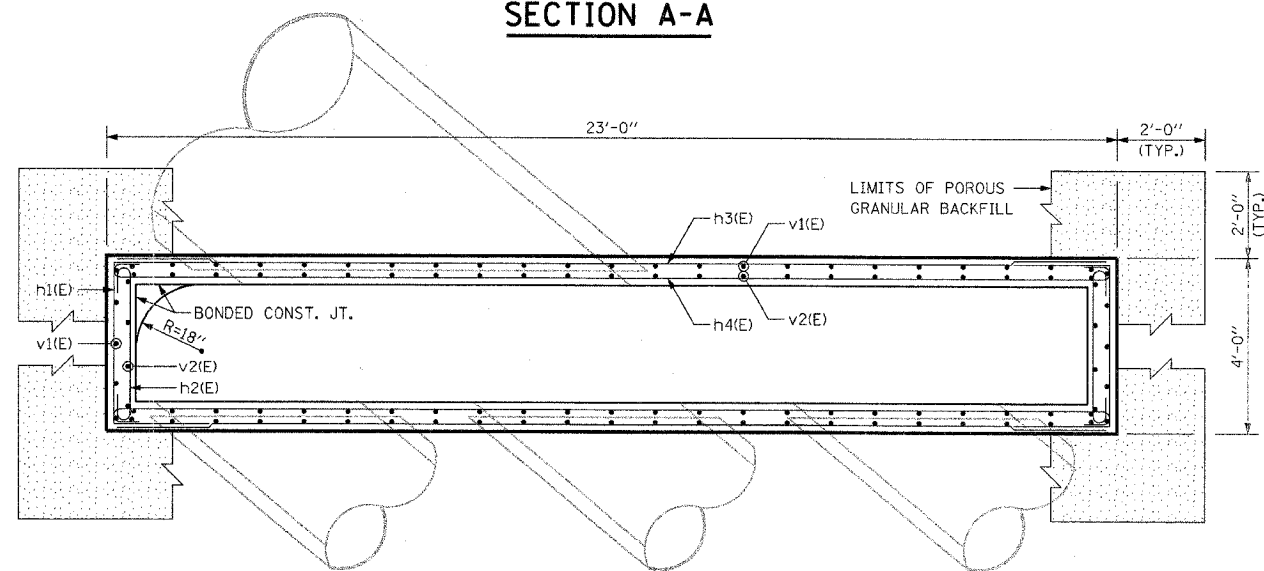
FILE #	SECTION	COUNTY	TOTAL SHEETS	SHEET NO.
1215	99-00169-05-WR	LAKE	153	69
JUNCTION CHAMBER DETAILS				
CONTRACT NO. 83847		SUNSET AVENUE		



**SECTION A-A**



**SECTION B-B**



**SECTION C-C**

**MATERIAL REQUIRED FOR JUNCTION CHAMBER**

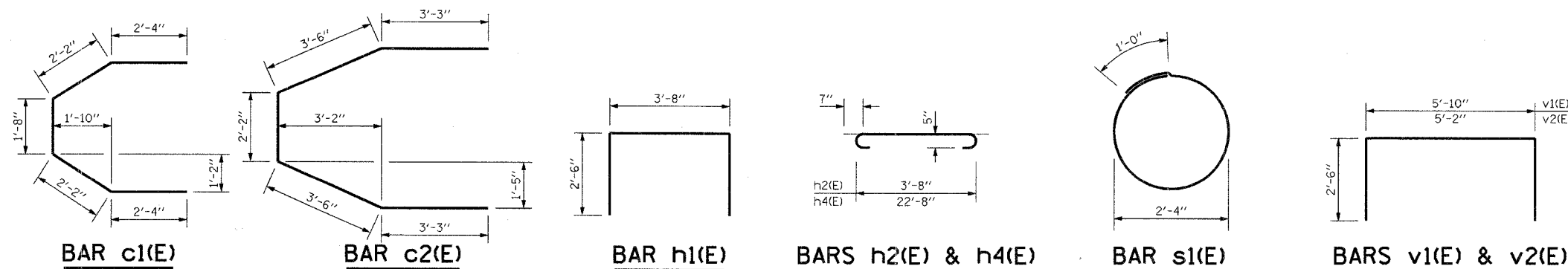
BAR	NO.	SIZE	LENGTH	SHAPE
a1(E)	24	#5	3'-8"	
a2(E)	22	#6	3'-2"	
b1(E)	5	#5	22'-8"	
b2(E)	4	#6	22'-0"	
c1(E)	12	#5	10'-8"	
c2(E)	4	#5	15'-8"	
h1(E)	14	#5	8'-8"	
h2(E)	12	#5	4'-10"	
h3(E)	14	#5	22'-8"	
h4(E)	12	#5	23'-10"	
s1(E)	4	#5	8'-4"	
t1(E)	24	#5	3'-2"	
t2(E)	22	#5	3'-8"	
v1(E)	58	#5	10'-10"	
v2(E)	52	#5	10'-2"	
w1(E)	4	#5	22'-0"	
w2(E)	5	#5	22'-8"	
REINFORCEMENT BARS, EPOXY COATED		POUND	3080	
CONCRETE STRUCTURES		CU. YD.	12	
POROUS GRANULAR BACKFILL		CU. YD.	30	
STRUCTURE EXCAVATION		CU. YD.	71	
FRAME & LID		EACH	2	
AGGREGATE BASE COURSE		CU. YD.	5	
CAST IRON STEPS		EACH	8	

QUANTITIES SHOWN ARE FOR INFORMATION ONLY. COST IS INCLUDED WITH "JUNCTION CHAMBER".

**BILL OF MATERIAL**

DESCRIPTION	UNITS	QTY.
JUNCTION CHAMBER	EACH	1

**NOTES:**  
 REINFORCEMENT BARS DESIGNATED (E) SHALL BE EPOXY COATED.  
 CUT REINFORCEMENT BARS TO FIT AROUND PIPE AND MANHOLE OPENINGS.



REVISIONS	NAME	DATE

SUNSET AVENUE  
**JUNCTION CHAMBER DETAILS**

DATE	BY	DESCRIPTION

PLAN  
 SURVEYED  
 PLOTTED  
 ALIGNED CHECKED  
 NOTE BOOK  
 No.

DATE	BY	DESCRIPTION

PROFILE  
 SURVEYED  
 PLOTTED  
 CHECKED  
 STRUCTURE NOTATIONS CHECKED  
 NOTE BOOK  
 No.