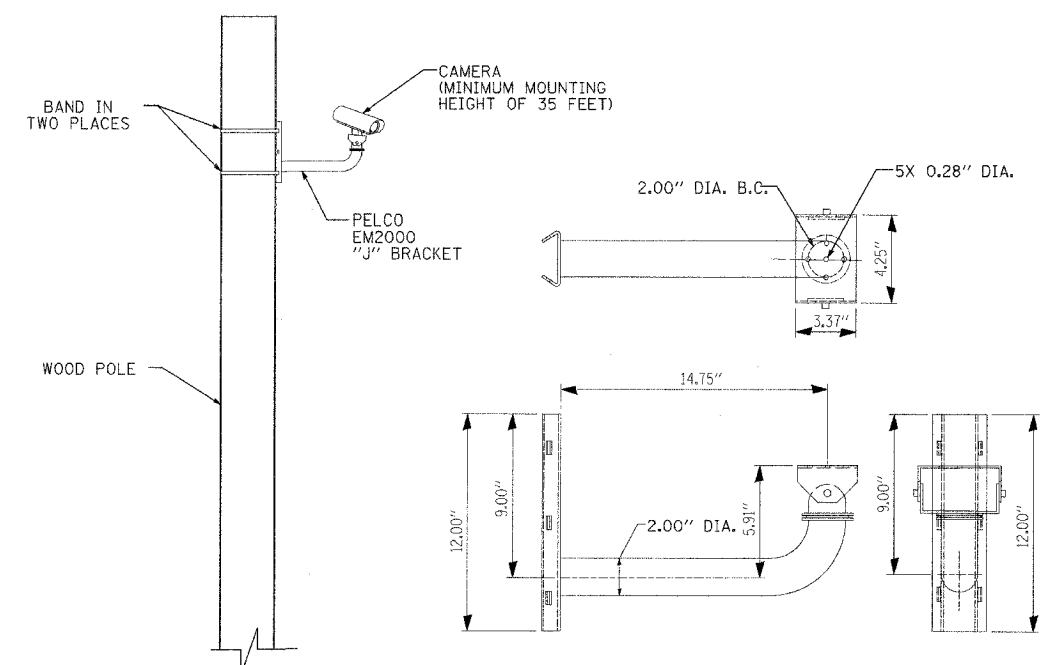
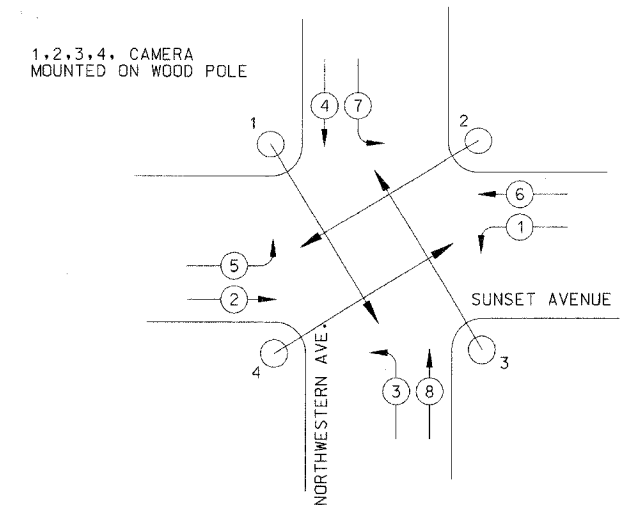


FILE NO.	SECTION	COUNTY	TOTAL SHEETS	SHEET NO.
1215	99-00169-05-WR	LAKE	153	80
BATTERY BACK-UP CABINET FOUNDATION DETAILS				
CONTRACT NO. 83847	ILLINOIS	SUNSET AVENUE		



EM2000 DIMENSION DRAWING
TEMPORARY CAMERA MOUNTING DETAILS

(NOT TO SCALE)

REVISIONS	
NAME	DATE



TRAFFIC SIGNAL DETAILS

NOT TO SCALE
 DATE: 10/15/03

DESIGNED BY: JPS
 CHECKED BY: ANK