

SECTION	COUNTY	TOTAL SHEETS	SHEET NO.
94-F3000-05-BT	COOK	102	6
STA. TO STA.		PROJECT NO. TE-D001 (610)	
CENTENNIAL TRAIL		CONTRACT NO. 83859	

LEGEND:

- ① AGGREGATE BASE COURSE, TYPE B, 150 mm
- ② AGGREGATE BASE COURSE, TYPE B, 100 mm
- ③ BITUMINOUS MATERIALS, PRIME COAT
- ④ HOT-MIX ASPHALT BINDER COURSE, IL-19.0, N50, 60 mm
- ⑤ HOT-MIX ASPHALT SURFACE COURSE, MIX "C", N50, 50 mm
- ⑥ HOT-MIX ASPHALT SURFACE COURSE, MIX "D", N50, 45 mm
- ⑦ TOP SOIL FURNISH AND PLACE, 150 mm AND SEEDING CLASS 4A
- ⑧ PAINT PAVEMENT MARKING, 100 mm YELLOW
- ⑨ EXISTING GROUND
- ⑩ GEOTECHNICAL FABRIC FOR GROUND STABILIZATION
- ⑪ SEGMENTAL CONCRETE BLOCK WALL
- ⑫ EXISTING PAVEMENT TO BE REMOVED
- ⑬ TOP SOIL FURNISH AND PLACE, 150 mm AND SEEDING, CLASS 1 B
- ⑭ EARTH EXCAVATION
- ⑮ SUITABLE EMBANKMENT MATERIAL (NO TOPSOIL)
- ⑯ AGGREGATE SHOULDER, TYPE B
- ⑰ AGGREGATE SHOULDER, TYPE B, 150 mm

NOTE 1:

WHERE UNSUITABLE MATERIAL UNDERLIES THE BIKE TRAIL, SHOULDERS AND/OR EMBANKMENT, AS DETERMINED BY THE ENGINEER, THE SUBGRADE TREATMENT WILL CONSIST OF EXCAVATION OF UNSUITABLE MATERIAL TO A DEPTH 300 mm BELOW AGGREGATE BASE COURSE AND PLACEMENT OF 300 mm OF POROUS GRANULAR EMBANKMENT SUBGRADE AND A GEOTECHNICAL FABRIC FOR GROUND STABILIZATION.

NOTE 2:

WHERE THE TYPICAL SECTION INDICATES A CONSTANT CROSS-SLOPE ACROSS THE TRAIL, THE CONTRACTOR SHALL CONSTRUCT THE PATH SO THAT THE CROSS SLOPE IS IN THE DIRECTION OF THE GROUND SLOPE.

NOTE 3:

WHERE THE TRAIL, RUNS ADJACENT TO DONOHUE ROAD, THE GROUND BETWEEN THE TRAIL AND THE ROAD SHALL BE SHAPED TO ELIMINATE ANY SWALE, DITCH, OR LOW SPOTS.

NOTE 4:

ADDITIONAL FILL MATERIAL TO BE PLACED ABOVE FABRIC IN CUT SECTIONS SHALL NOT BE MEASURED FOR PAYMENT. MATERIAL SHALL BE SUITABLE EMBANKMENT MATERIAL.

NOTE 5:

AT ALL INTERSECTIONS OF BIKE PATH AND STREETS/DRIVEWAYS DEPRESS THE CURB (IF APPLICABLE) AND KEEP EXISTING PAVEMENT ELEVATIONS.

NOTE 6:

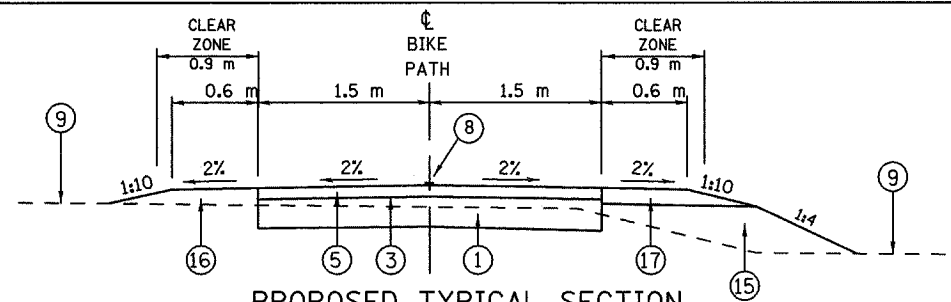
IN AREAS OF PRONOUNCED GROUND CROSS SLOPE CONTRACTOR SHALL CONSTRUCT A CONSTANT (SUPER-ELEVATED) TRAIL CROSS SLOPE OF 2% IN THE DIRECTION OF GROUND SLOPE.

BITUMINOUS MIXTURE REQUIREMENTS

ITEM	AC TYPE	VOIDS	USAGE
HOT-MIX ASPHALT SURFACE COURSE, MIX. C, N50	PG 64-22	4% @ 50 GYR	BIKE PATH SURFACE
HOT-MIX ASPHALT SURFACE COURSE, MIX. D, N50	PG 64-22	4% @ 50 GYR	STREET SURFACE COURSE
HOT-MIX ASPHALT BINDER COURSE, IL-19, N50	PG 64-22	4% @ 50 GYR	STREET BINDER COURSE

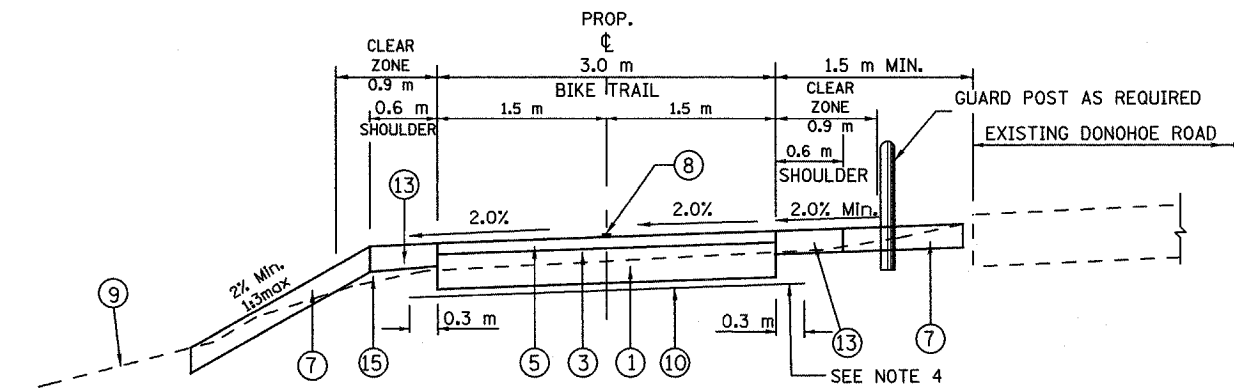
THE UNIT WEIGHT USED TO CALCULATE ALL BITUMINOUS MIXTURES IS 112 LBS/SQ YD/IN AND/OR THE METRIC EQUIVALENT 2.39 KG/SM/MM.

• WHEN RAP EXCEEDS 20%, THE NEW ASPHALT BINDER IN THE MIX SHALL BE PG 58-22.



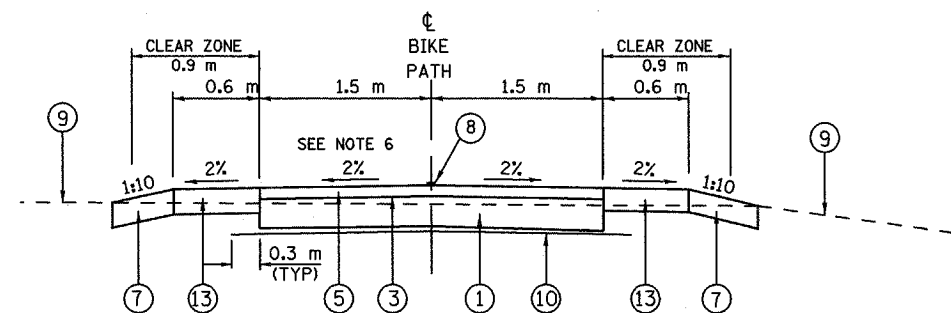
PROPOSED TYPICAL SECTION

STA. 0+000 TO STA. 0+010
 STA. 2+442 TO STA. 2+475
 STA. 2+500 TO STA. 2+655
 STA. 8+505 TO STA. 9+200



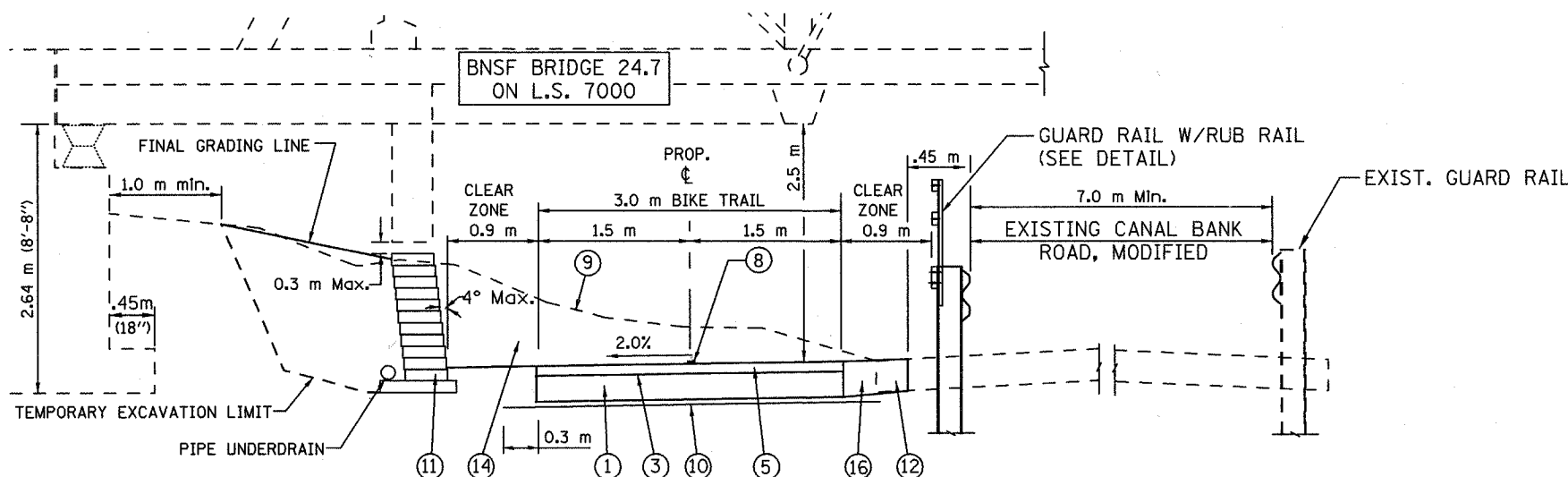
PROPOSED TYPICAL SECTION

STA. 0+010 TO STA. 2+442
 STA. 2+688 TO STA. 2+811 BK = STA. 2+799 AH



PROPOSED TYPICAL SECTION

STA. 2+475 TO STA. 2+500
 STA. 4+435 TO STA. 8+505
 STA. 9+200 TO STA. 14+758



PROPOSED TYPICAL SECTION

STA. 2+655 TO STA. 2+688

NOTE:
 SEGMENTAL BLOCK RETAINING WALL TO BE DIMENSIONED AND CONSTRUCTED PER MANUFACTURERS STANDARDS

REVISIONS		
NO.	NAME	DATE

URS 100 S. WACKER DR., SUITE 500 TEL (312)-939-1000
 CHICAGO, IL 60606 FAX (312)-939-4198

FOREST PRESERVE DISTRICT OF COOK COUNTY
CENTENNIAL TRAIL
 PROPOSED
 TYPICAL SECTIONS

DATE: 10/20/06 DRAWN BY: VAP
 DESIGNED BY: DIH CHECKED BY: DDL