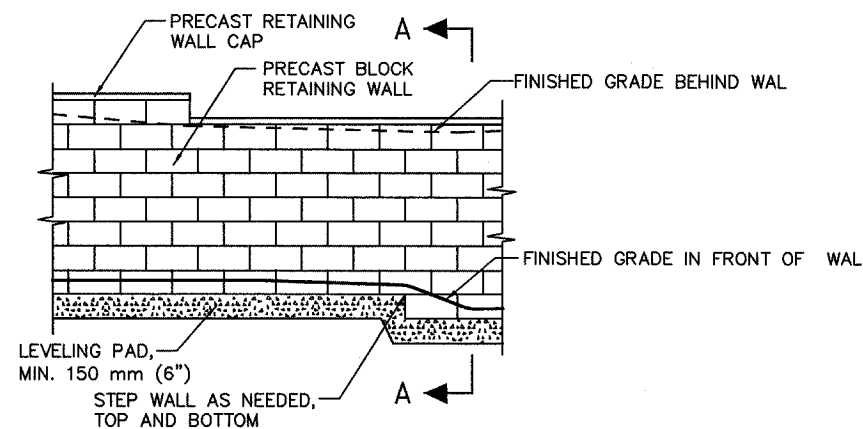
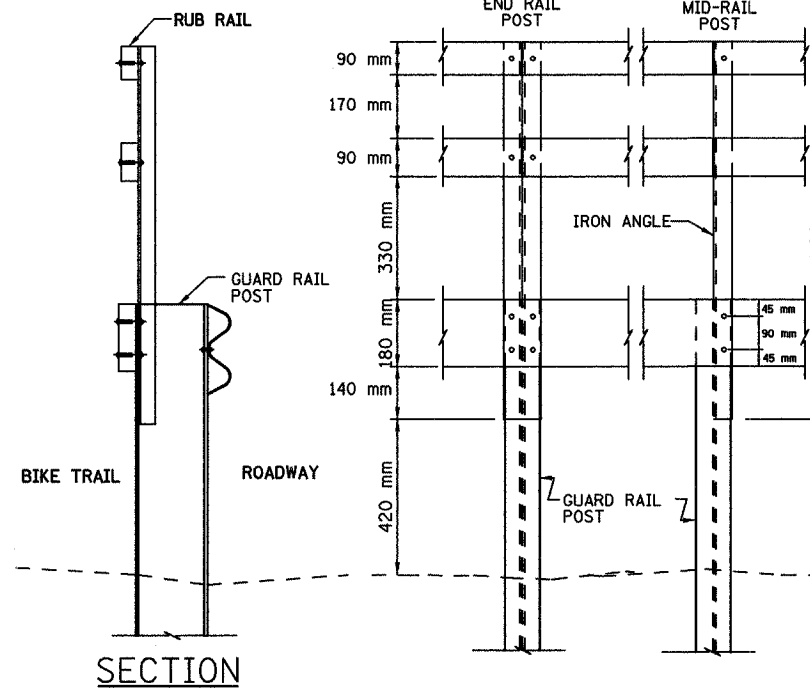


SECTION	COUNTY	TOTAL SHEETS	SHEET NO.
94-F3000-05-BT	COOK	102	68
STA.	TO STA.		
PROJECT NO. TE-D001 (610)			
CENTENNIAL TRAIL			

CONTRACT NO. 83859



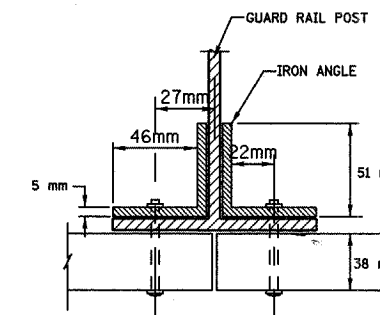
SECTION B-B  
ELEVATION



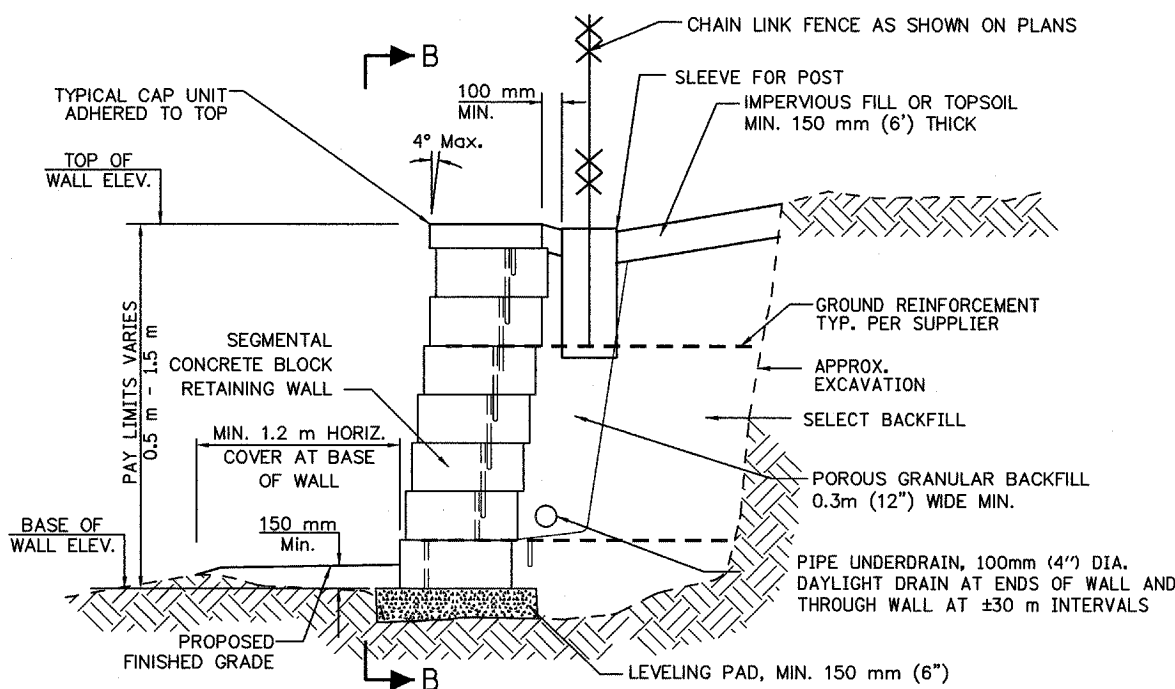
SECTION

RUB RAIL ASSEMBLY DETAIL

NOTE: RAILS EXTEND 2 SPANS OF STEEL GUARD RAIL POSTS  
N.T.S.

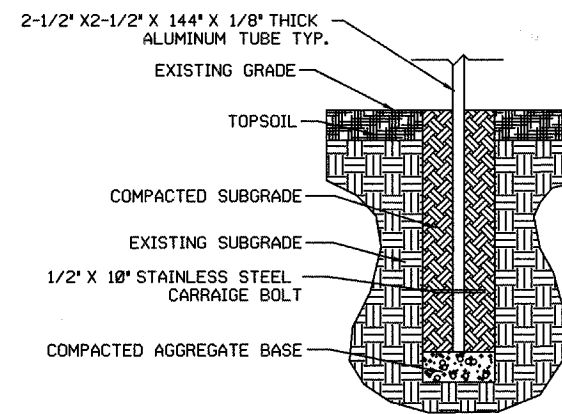


POST BOLT & NUT  
PER STD. 630001-04



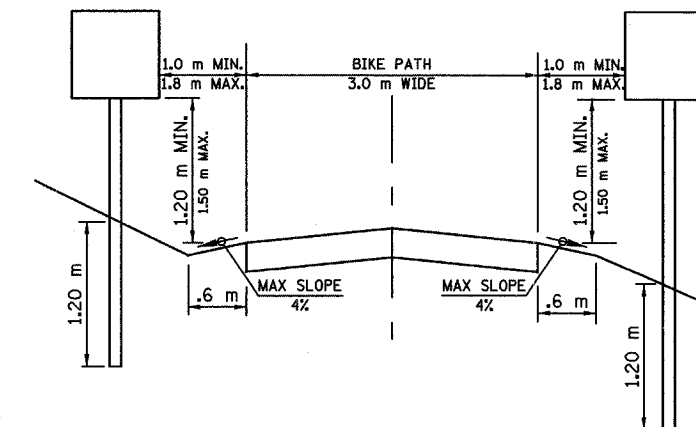
SECTION A-A

SEGMENTAL CONCRETE BLOCK  
RETAINING WALL DETAIL  
N.T.S.



SIGN BASE DETAIL

N.T.S.



SIGN PLACEMENT DETAIL

N.T.S.

NOTES

1. THE CONTRACTOR SHALL SUBMIT DESIGN, CONSTRUCTION PLANS WITH MATERIAL INFORMATION & SHOP DRAWINGS FOR CONNECTION DETAILS SIGNED BY A STRUCTURAL ENGINEER LICENSED IN THE STATE OF ILLINOIS TO THE ENGINEER FOR APPROVAL BEFORE ORDERING MATERIALS.
2. RETAINING WALL EQUIVALENT FLUID PRESSURE = 50(PCF)
3. REINFORCING BARS SHALL BE GRADE 60
4. GROUT MORTAR, f'm = 2500 psi (MIN.)
5. THE DESIGN OF THE RETAINING WALL SHALL BE IN COMPLIANCE WITH THE GUIDELINES FOR THE DESIGN OF MECHANICALLY STABILIZED EARTH WALLS AS DEVELOPED BY AASHTO-AGC-ARTA JOINT COMMITTEE TASK FORCE 27 GROUND MODIFICATION SYSTEMS.
6. EXCAVATION, LEVELING PAD, BACKFILL, PIPE UNDERDRAIN, GROUND REINFORCEMENT, GROUND RESTORATION, AND SEEDING OF RESTORED GROUND ARE INCLUDED IN COST OF CONCRETE BLOCK RETAINING WALL.
7. INSTALL CHAIN LINK FENCE POST SLEEVE DURING RETAINING WALL CONSTRUCTION TO PREVENT DAMAGE TO GROUND REINFORCEMENT.

SEGMENTAL CONCRETE BLOCK  
RETAINING WALLS SITING DATA

	STATION	TOP OF WALL ELEV. METERS	BASE OF WALL ELEV. METERS	WALL HEIGHT METERS
WALL AT BNSF BRIDGE 24.7	2+655.5	179.80	178.90	0.90
	2+675	179.80	178.50	1.30
	2+685	179.80	178.50	1.30

REVISIONS		
NO.	NAME	DATE

**URS** 100 S. WACKER DR., SUITE 500 TEL (312)-939-1000  
CHICAGO, IL 60606 FAX (312)-939-4198

FOREST PRESERVE DISTRICT OF COOK COUNTY  
CENTENNIAL TRAIL

MISCELLANEOUS DETAILS

DATE: 10/20/06 DRAWN BY: VAP  
DESIGNED BY: DIH CHECKED BY: DDL