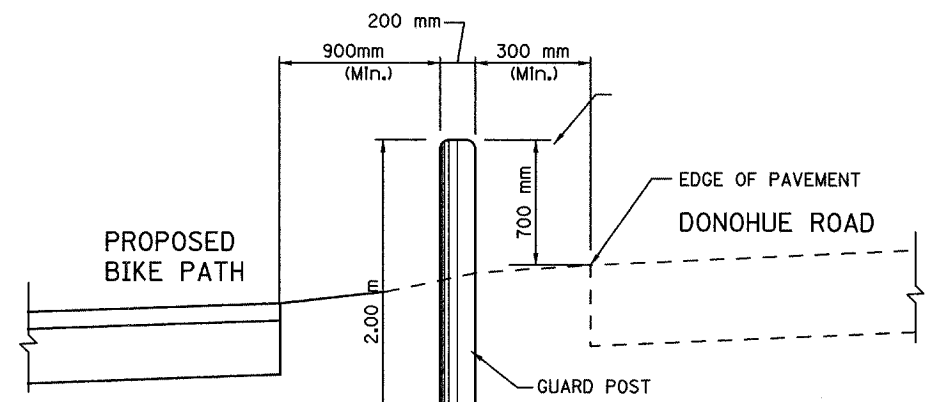


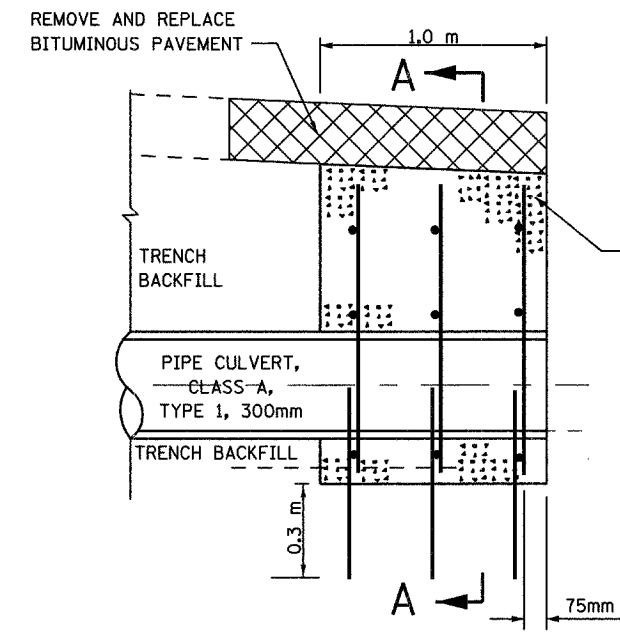
SECTION	COUNTY	TOTAL SHEETS	SHEET NO.
94-F3000-05-BT	COOK	102	69
STA.	TO STA.		
PROJECT NO. TE-D001 (610)			
CENTENNIAL TRAIL			

CONTRACT NO. 83859

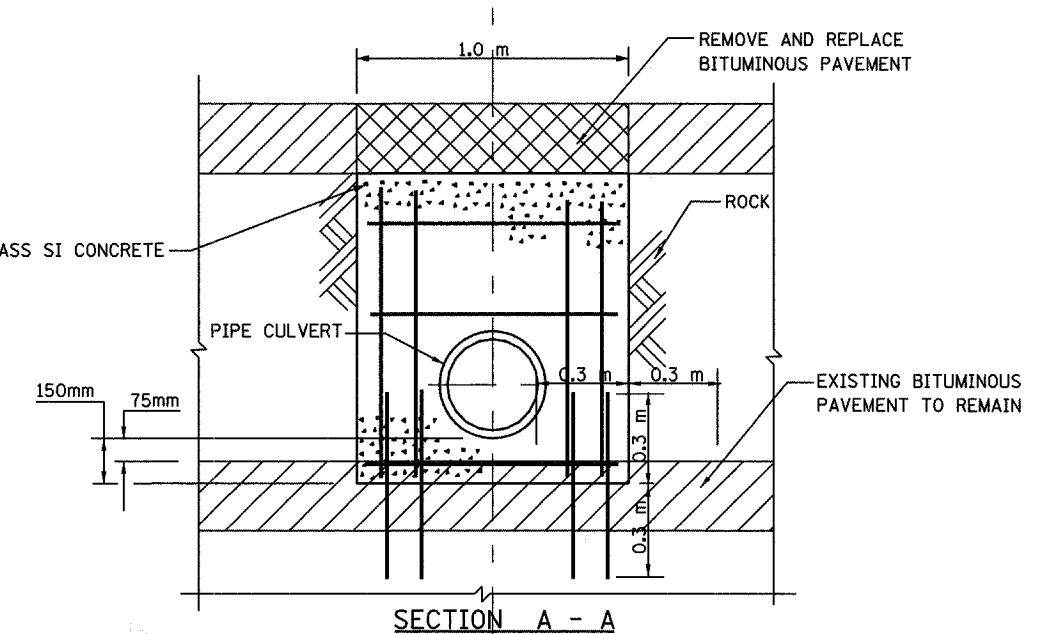


NOTE:
 GUARD POSTS ARE TO BE SET AT
 6.0 m (+/- 0.60 m) INTERVALS ALONG
 DONOHUE ROAD
 STA. 0+030 TO STA. 2+418

GUARD POST DETAIL
 N.T.S.



CROSS SECTION



SECTION A - A

DRILL AND GROUT 600mm #15 STEEL DOWELS W/300mm ± EMBEDMENT
 #15 STEEL REINFORCEMENT BARS AT MINIMUM 300mm ± VERTICAL
 AND HORIZONTAL SPACING WITH MIN. 50mm COVER.
 ALL STEEL DOWELS AND REINFORCEMENT BARS SHALL BE EPOXY COATED.
 ALL REBARS, DRILLING AND GROUTING COSTS INCLUDED
 WITH CONCRETE HEADWALL FOR PIPE DRAIN.

CONCRETE HEADWALL FOR PIPE DRAIN
 N.T.S.

REVISIONS		
NO.	NAME	DATE

URS 100 S. WACKER DR., SUITE 500 TEL (312)-939-1000
 CHICAGO, IL 60606 FAX (312)-939-4198

FOREST PRESERVE DISTRICT OF COOK COUNTY
 CENTENNIAL TRAIL

MISCELLANEOUS DETAILS

DATE: 10/20/06 DRAWN BY: VAP
 DESIGNED BY: DIH CHECKED BY: DDL