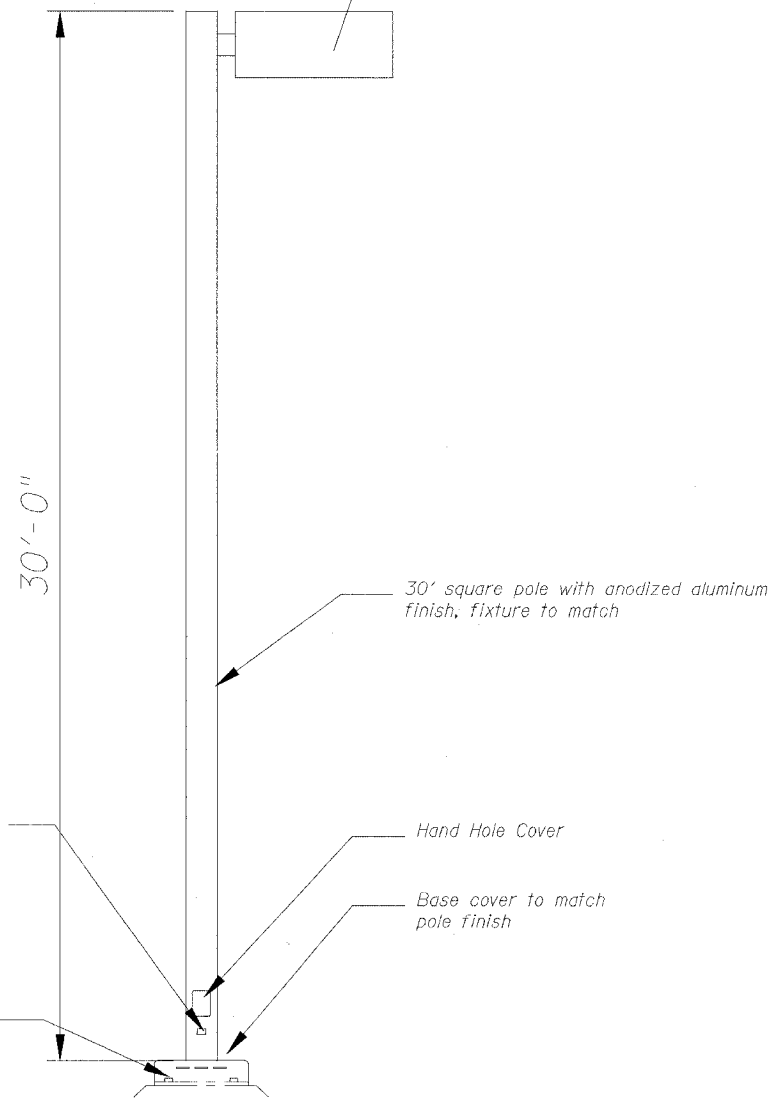


STATE OF ILLINOIS  
DEPARTMENT OF TRANSPORTATION

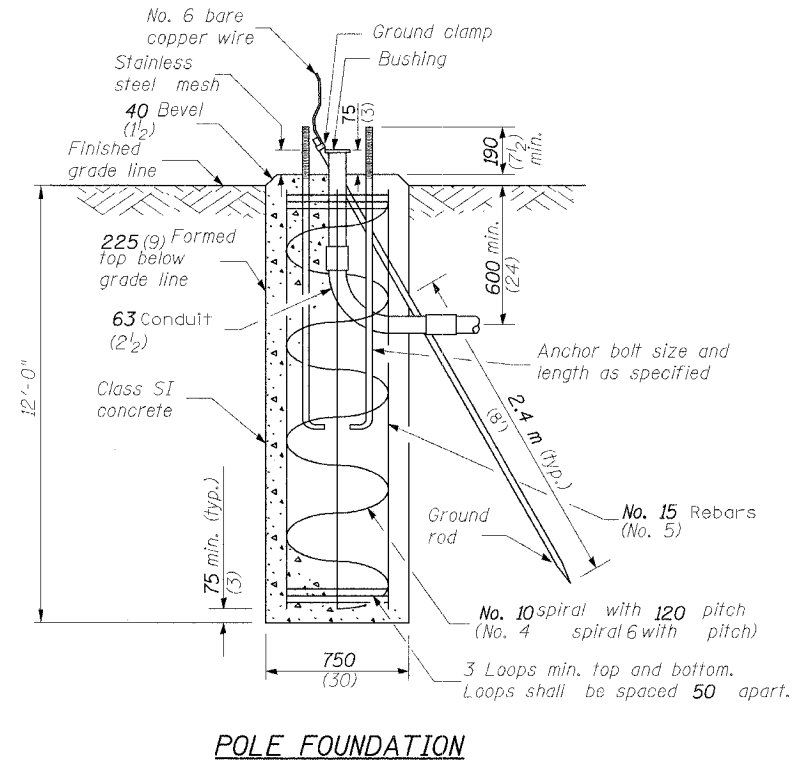
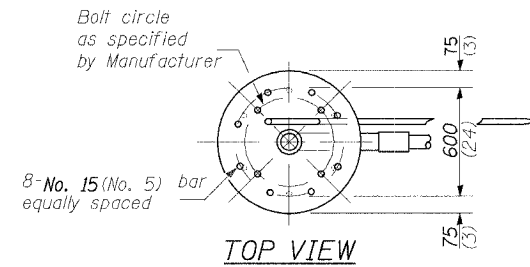
ROUTE NO.	SECTION	COUNTY	TOTAL SHEETS	SHEET NO.
F.A.P.	05-00130-00-BR	WILL	40	12
FED. ROAD DIST. NO. 7	ILLINOIS	FED. AID PROJECT-		

CONTRACT NO. 83889

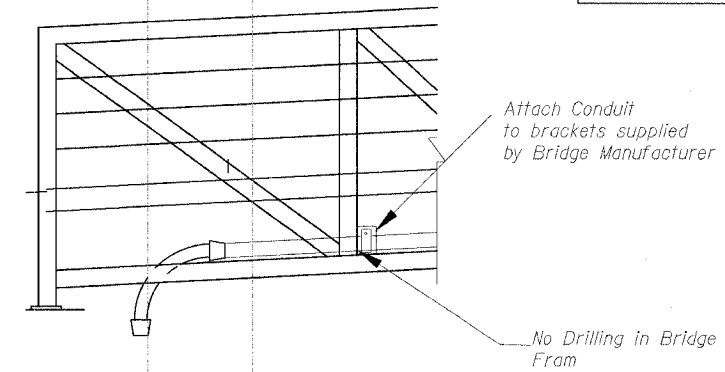
High Pressure Sodium outdoor lighting fixture shoe box style, 250 watt, 230 volt, type II distribution, photo-eye built into light



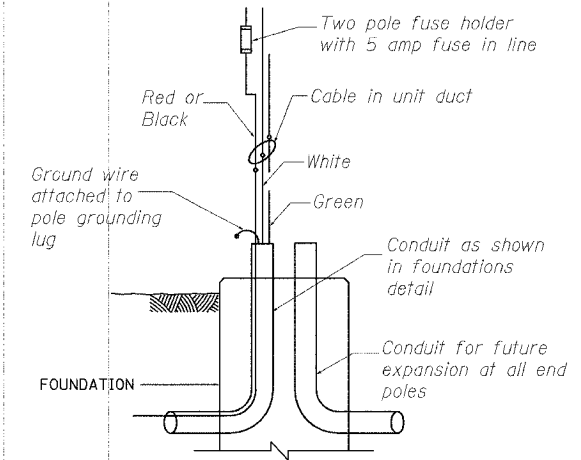
**LIGHT POLE**



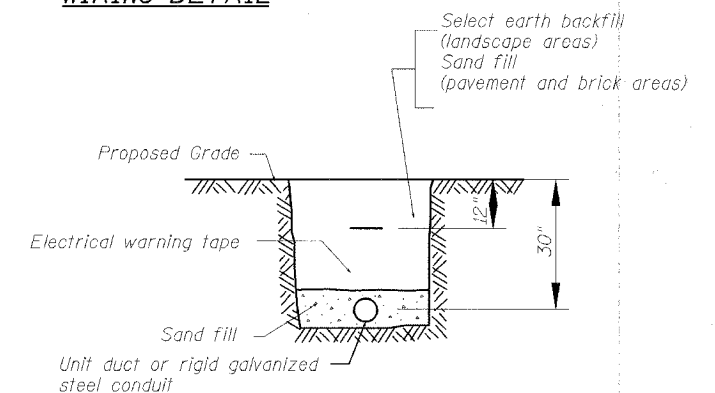
**POLE FOUNDATION**



**TYPICAL CONDUIT ATTACHMENT**



**WIRING DETAIL**



**TRENCH DETAIL**

**NOTES**

1. Install two new light poles with fixtures, and foundations per IDOT specifications.
2. New Lights to be located as shown on Electrical general plans.
3. Supply luminaire with built in photo-eye.
4. Bond poles to service feeds

DESIGNED	DAD
CHECKED	DL
DRAWN	SOI
CHECKED	---

**URS**  
100 South Wacker Drive,  
Suite 500  
Chicago, IL 60606  
(312) 939-1000

REVISIONS	
NAME	DATE

ILLINOIS DEPARTMENT OF TRANSPORTATION  
**POLE AND FOUNDATION  
ELECTRICAL DETAILS**

ROUTE 59 PEDESTRIAN BRIDGE  
CITY OF NAPERVILLE, WILL COUNTY

RTE. 59  
STATION 113+02.46  
SCALE: N.T.S.

SECTION: 05-00130-00-BR  
STRUCTURE NO. 099-6002  
DATE: 12-8-2006