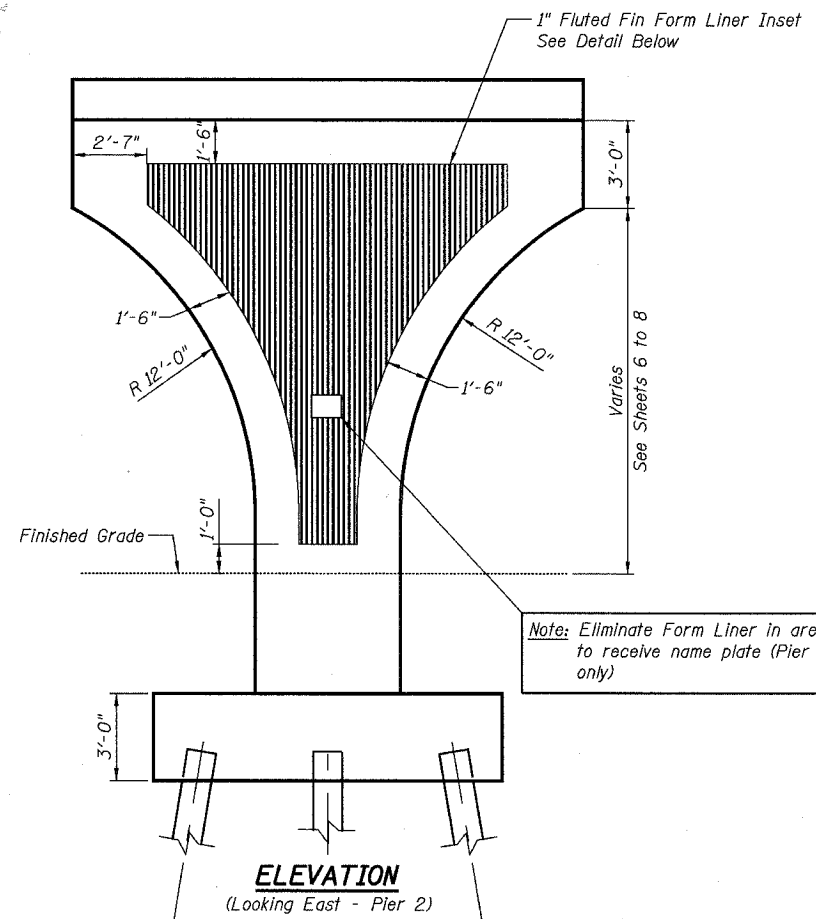


STATE OF ILLINOIS
DEPARTMENT OF TRANSPORTATION

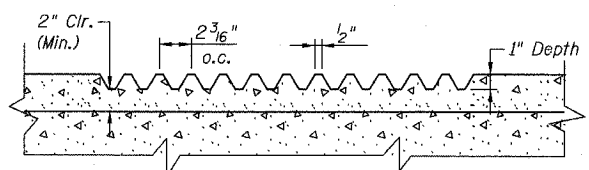
ROUTE NO.	SECTION	COUNTY	TOTAL SHEETS	SHEET NO.
F.A.P.	05-00130-00-BR	WILL	41	25
FED. ROAD DIST. NO. 7		ILLINOIS	FED. AID PROJECT-	
CONTRACT NO. 83889				

SHEET NO. 13
OF 23 SHEETS

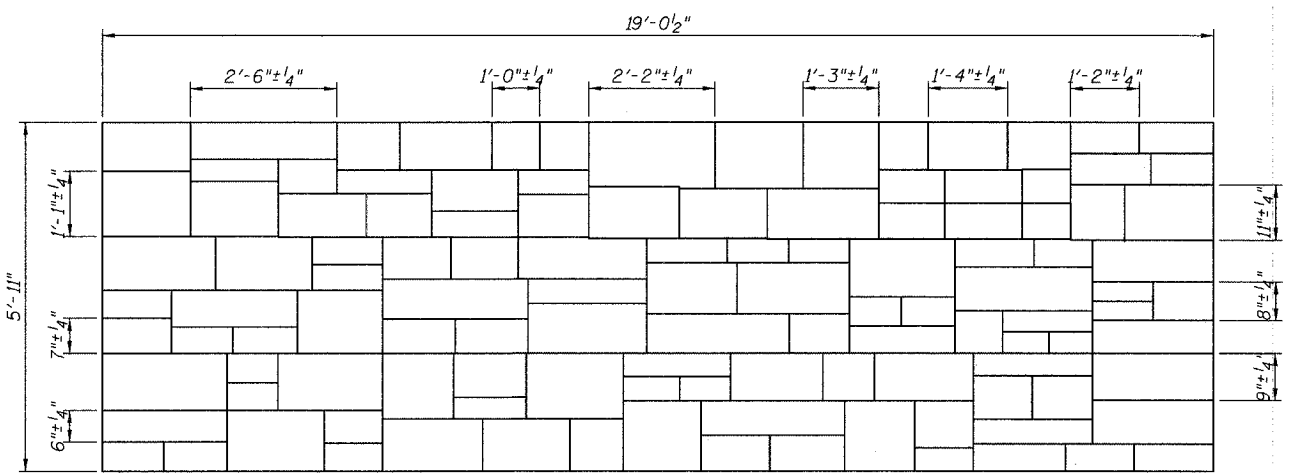


ELEVATION
(Looking East - Pier 2)

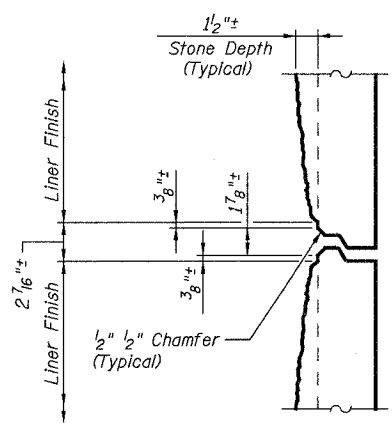
Note: Eliminate Form Liner in area to receive name plate (Pier 3 only)



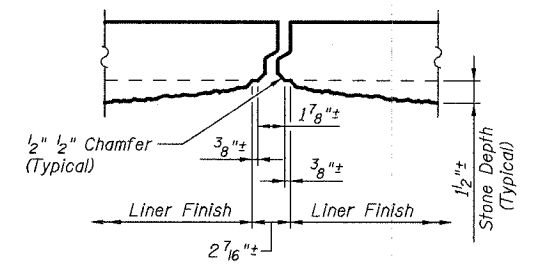
1" FLUTED FIN INSET



TYPICAL MSE WALL PANEL
See Note 3 for Pattern Information.



M.S.E. HORIZONTAL WALL JOINT SECTION



M.S.E. VERTICAL WALL JOINT SECTION

NOTES:

1. Architectural concrete surface treatment as shown is applicable to exterior surfaces of cast-in-place concrete for Piers and MSE Walls respectively.
2. The clear concrete cover shown to the bars nearest to the concrete surface shall be maintained.
3. Surface treatment of MSE Wall Panels shall be the Fishlar pattern used by Reinforced Earth Company or approved equal.
Maximum Relief = 1/2"
Average Relief = 1/2"
Cost of surface treatment shall be included in the cost of "Mechanically Stabilized Earth Retaining Wall".
4. Surface treatment shall continue across joints uninterrupted.
5. Pier surface treatment/form liner shall be paid for in square feet as "Form Liner Textured Surface".

DESIGNED	PMV
CHECKED	JPB
DRAWN	PMV
CHECKED	JPB

REVISIONS	
NAME	DATE

ILLINOIS DEPARTMENT OF TRANSPORTATION
ARCHITECTURAL DETAILS

ROUTE 59 PEDESTRIAN BRIDGE
CITY OF NAPERVILLE, WILL COUNTY

F.A.P. RTE. STATION 113+02.46
SCALE: N.T.S.

SECTION: 05-00130-00-BR
STRUCTURE NO. 099-6002
DATE: 12/8/2006

URS
100 South Wacker Drive,
Suite 500
Chicago, IL 60606
(312) 939-1000

c:\naperville_25365506.psd\bridge\pre-final\plans\drawings\13_architectural_details\dtb\8/2006_1:36:50 PM