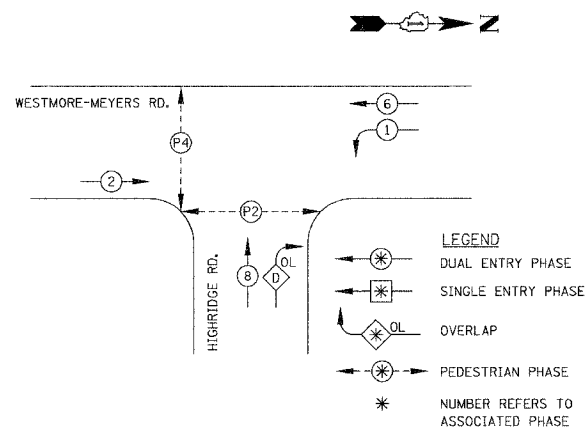
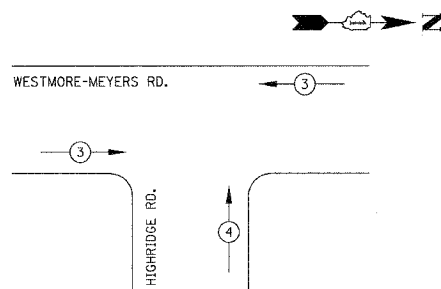


F.A.U. RTE.	SECTION	COUNTY	TOTAL SHEETS	SHEET NO.
2638	00-00139-00-RS	DUPAGE	68	50
STA.		TO STA.		
FED. ROAD DIST. NO.		ILLINOIS FED. AID PROJECT		
PROJECT NO.: M-8003 (663)				

PHASE DESIGNATION DIAGRAM/CONTROLLER SEQUENCE



EMERGENCY VEHICLE PREEMPTION SEQUENCE



EMERGENCY VEHICLE PREEMPTOR	3	4
MOVEMENT	←	↑

- | EXISTING | PROPOSED | |
|----------|----------|--|
| | | 8" (200mm) TRAFFIC SIGNAL SECTION |
| | | 12" (300mm) TRAFFIC SIGNAL SECTION |
| | | 12" (300mm) PEDESTRIAN SIGNAL SECTION |
| | | LEFT TURN GREEN |
| | | LEFT TURN YELLOW |
| | | 12" (300mm) PEDESTRIAN SIGNAL SECTION |
| | | CONTROLLER |
| | | SERVICE INSTALLATION |
| | | TELEPHONE CONNECTION |
| | | DETECTOR LOOP |
| | | EMERGENCY VEHICLE LIGHT DETECTOR |
| | | CONFIRMATION BEACON |
| | | PEDESTRIAN PUSHBUTTON DETECTOR |
| | | DENOTES NUMBER OF CONDUCTORS
ALL CABLE NO. 14 EXCEPT AS INDICATED.
ALL LOOP DETECTOR CABLE TO BE SHIELDED. |
| | | GROUND CABLE IN CONDUIT, NO. 6
SOLID COPPER (GREEN) |
| | | FIBER OPTIC CABLE IN CONDUIT
NO. 62.5/125 2-MM12F SM12F |
| | | RAILROAD CONTROL CABINET |
| | | SIGNAL FACE WITH BACKPLATE
"P" INDICATES PROGRAMMED HEAD. |
| | | ILLUMINATED SIGN
"NO LEFT TURN" |
| | | ILLUMINATED SIGN
"NO RIGHT TURN" |
| | | RADIO INTERCONNECT ANTENNA |
| | | IMAGE SENSOR |
| | | COAXIAL CABLE |

SCHEDULE OF QUANTITIES

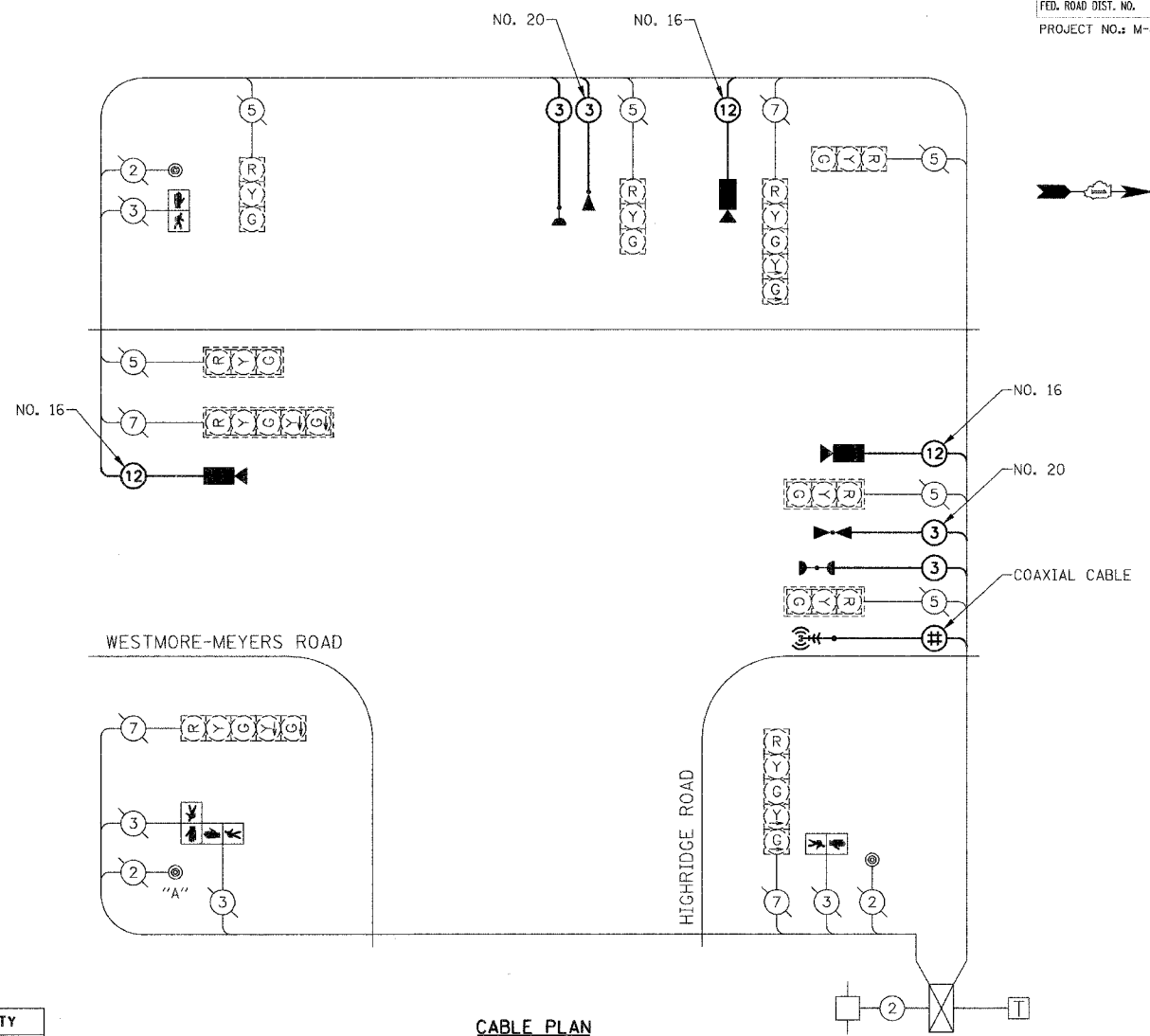
DESCRIPTION	UNIT	QTY
COAXIAL CABLE IN CONDUIT	FOOT	63
ANTENNA, YAGI, 900 MHZ	EACH	1
RADIO TRANSCEIVER	EACH	1
MAINTENANCE OF EXISTING TRAFFIC SIGNAL INSTALLATION	EACH	1
MODIFY EXISTING CONTROLLER	EACH	1
PEDESTRIAN SIGNAL HEAD, L.E.D., 1-FACE, BRACKET MOUNTED	EACH	4
REMOVE EXISTING TRAFFIC SIGNAL EQUIPMENT	EACH	1
CONDUIT, PUSHED, 4" DIA., GALVANIZED STEEL	FOOT	70
ELECTRIC CABLE IN CONDUIT, COMMUNICATION, NO. 16 6 PAIR	FOOT	354
ELECTRIC CABLE IN CONDUIT, NO. 20, 3/C, TWISTED, SHIELDED	FOOT	165.5
DRILL EXISTING HANDHOLE	EACH	2
ELECTRIC CABLE IN CONDUIT, SIGNAL, NO. 14 3C	FOOT	165.5
LIGHT DETECTOR	EACH	2
LIGHT DETECTOR AMPLIFIER	EACH	1
REMOVE EXISTING HANDHOLE	EACH	2
REMOVE ELECTRIC CABLE FROM CONDUIT	FOOT	924
VIDEO DETECTION SYSTEM, COMPLETE INTERSECTION	EACH	1
VIDEO TRANSMISSION SYSTEM	EACH	1

FOUNDATION (DEPTH)	FT.	(m)	CABLE SLACK	FT.	(m)	VERTICAL	FT.	(m)
TYPE A - POST	4	(1.2)	HANDHOLE	6.5	(2.0)	ALL FOUNDATIONS	3.5	(1.0)
D - CONTROLLER	4	(1.2)	DOUBLE HANDHOLE	13	(4.0)	MAST ARM (L) POLE	20'+L-2'	
C - M. ARM POLE			SIGNAL POST	2	(1.0)		(6m+L-0.6m)	
24" (600mm)	10	(3.0)	CONTROLLER CAB.	1	(0.5)	BRACKET MOUNTED	13	(4.0)
30" (750mm)	15	(4.6)	FIBER OPTIC	13	(4.0)	PED. PUSHBUTTON	4	(1.2)
			ELECTRIC SERVICE	1	(0.5)	ELECTRIC SERVICE	13.5	(4.1)
			GROUND CABLE	1	(0.5)	SERVICE TO GROUND	13.5	(4.1)
						POST MOUNTED	6	(1.8)

TYPE	NO. LAMPS	WATTAGE INCAND.	LED	% OPERATION	TOTAL WATTAGE
SIGNAL (RED)	10	135		0.50	675.00
(YELLOW)	10	135		0.25	337.50
(GREEN)	10	135		0.25	337.50
ARROW	8	135		0.10	108.00
PED. SIGNAL	4		25	1.00	100.00
CONTROLLER	1	100		1.00	100.00
DET. CAMERA	3	25		1.00	75.00
FLASHER				0.50	-
ENERGY COSTS TO:					TOTAL = 1733.00

VILLAGE OF LOMBARD
255 E. WILSON AVENUE
LOMBARD, ILLINOIS 60148-3931

ENERGY SUPPLY: CONTACT: _____
PHONE: _____
COMPANY: COMMONWEALTH EDISON



CABLE PLAN

NOTE:

PUSHBUTTON "A" SHALL PLACE A CALL TO PHASES 2 & 4.

REVISIONS		ILLINOIS DEPARTMENT OF TRANSPORTATION
NAME	DATE	
		<p align="center">VILLAGE OF LOMBARD</p> <p align="center">WESTMORE /MEYERS RESURFACING PROJECT</p> <p align="center">TRAFFIC SIGNAL CABLE PLAN, SCHEDULE OF QUANTITIES AND SEQUENCE OF OPERATIONS HIGHRIIDGE ROAD</p> <p>SCALE: N.T.S. DATE: 01/31/07</p> <p>DRAWN BY: JMT CHECKED BY: DEM</p>