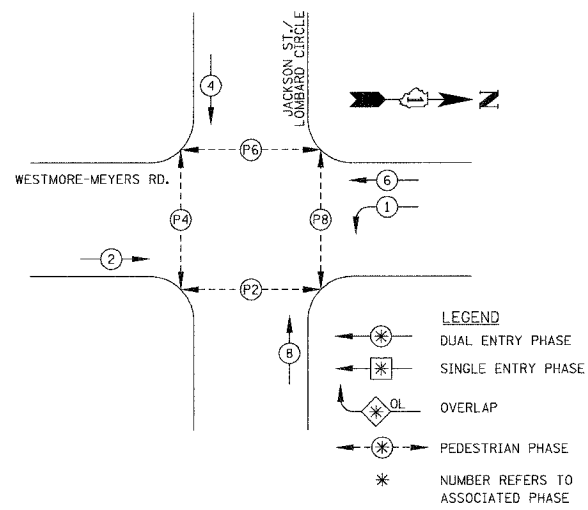
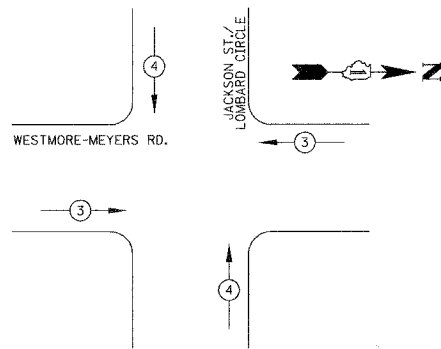


F.A.U.	SECTION	COUNTY	TOTAL SHEETS	SHEET NO.
2638	00-00139-00-RS	DUPAGE	68	52
STA.		TO STA.		
FED. ROAD DIST. NO.		ILLINOIS FED. AID PROJECT		
PROJECT NO.: M-8003 (663)				

**PHASE DESIGNATION DIAGRAM/CONTROLLER SEQUENCE**



**EMERGENCY VEHICLE PREEMPTION SEQUENCE**



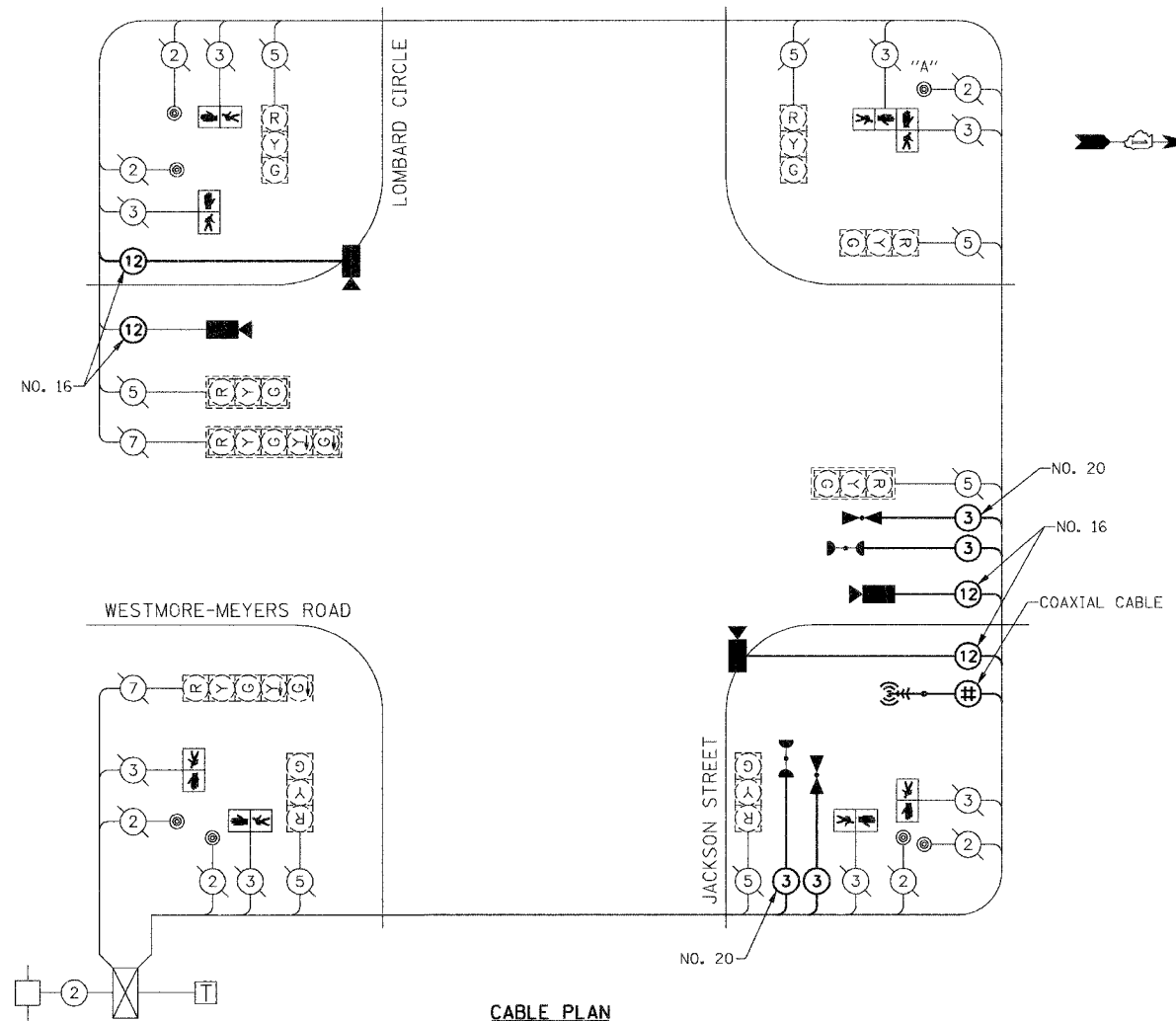
PROPOSED EMERGENCY VEHICLE PREEMPTOR		
EMERGENCY VEHICLE PREEMPTOR	3	4
MOVEMENT	←	↑

- | EXISTING | PROPOSED |  |
|----------|----------|--|
| [C]      | [C]      | 8" (200mm) TRAFFIC SIGNAL SECTION  |
| [R]      | [R]      | 12" (300mm) TRAFFIC SIGNAL SECTION   |
| [W]      | [W]      | 12" (300mm) PEDESTRIAN SIGNAL SECTION  |
| [L-G]    | [L-G]    | LEFT TURN GREEN  |
| [L-Y]    | [L-Y]    | LEFT TURN YELLOW   |
| [P]      | [P]      | 12" (300mm) PEDESTRIAN SIGNAL SECTION  |
| [X]      | [X]      | CONTROLLER   |
| [S]      | [S]      | SERVICE INSTALLATION   |
| [T]      | [T]      | TELEPHONE CONNECTION   |
| [D]      | [D]      | DETECTOR LOOP  |
| [E]      | [E]      | EMERGENCY VEHICLE LIGHT DETECTOR   |
| [B]      | [B]      | CONFIRMATION BEACON  |
| [P-D]    | [P-D]    | PEDESTRIAN PUSHBUTTON DETECTOR   |
| (2)      | (2)      | DENOTES NUMBER OF CONDUCTORS<br>ALL CABLE NO. 14 EXCEPT AS INDICATED.<br>ALL LOOP DETECTOR CABLE TO BE SHIELDED. |
| (1)      | (1)      | GROUND CABLE IN CONDUIT, NO. 6 SOLID COPPER (GREEN)  |
| (24)     | (24)     | FIBER OPTIC CABLE IN CONDUIT NO. 62.5/125 2-MM12F SM12F  |
| [R]      | [R]      | RAILROAD CONTROL CABINET   |
| [R]      | [R]      | SIGNAL FACE WITH BACKPLATE "P" INDICATES PROGRAMMED HEAD.  |
| [L]      | [L]      | ILLUMINATED SIGN "NO LEFT TURN"  |
| [R]      | [R]      | ILLUMINATED SIGN "NO RIGHT TURN"   |
| [A]      | [A]      | RADIO INTERCONNECT ANTENNA   |
| [I]      | [I]      | IMAGE SENSOR   |
| [#]      | [#]      | COAXIAL CABLE  |

**SCHEDULE OF QUANTITIES**

DESCRIPTION	UNIT	QTY
COAXIAL CABLE IN CONDUIT	FOOT	131.5
ANTENNA, YAGI, 900 MHZ	EACH	1
RADIO TRANSCIEVER	EACH	1
MAINTENANCE OF EXISTING TRAFFIC SIGNAL INSTALLATION	EACH	1
MODIFY EXISTING CONTROLLER	EACH	1
PEDESTRIAN SIGNAL HEAD, L.E.D., 1-FACE, BRACKET MOUNTED	EACH	8
REMOVE EXISTING TRAFFIC SIGNAL EQUIPMENT	EACH	1
CONDUIT, PUSHED, 4" DIA., GALVANIZED STEEL	FOOT	206
ELECTRIC CABLE IN CONDUIT, COMMUNICATION, NO. 16 6 PAIR	FOOT	746
ELECTRIC CABLE IN CONDUIT, NO. 20, 3/C, TWISTED, SHIELDED	FOOT	242
DRILL EXISTING HANDHOLE	EACH	6
ELECTRIC CABLE IN CONDUIT, SIGNAL, NO. 14 3C	FOOT	242
LIGHT DETECTOR	EACH	2
LIGHT DETECTOR AMPLIFIER	EACH	1
REMOVE EXISTING HANDHOLE	EACH	2
REMOVE ELECTRIC CABLE FROM CONDUIT	FOOT	1705
VIDEO DETECTION SYSTEM, COMPLETE INTERSECTION	EACH	1
VIDEO TRANSMISSION SYSTEM	EACH	1

FOUNDATION (DEPTH)	FT.	(m)	CABLE SLACK	FT.	(m)	VERTICAL	FT.	(m)
TYPE A - POST	4	(1.2)	HANDHOLE	6.5	(2.0)	ALL FOUNDATIONS	3.5	(1.0)
D - CONTROLLER	4	(1.2)	DOUBLE HANDHOLE	13	(4.0)	MAST ARM (L) POLE	20'	H-2=
C - M. ARM POLE			SIGNAL POST	2	(1.0)		(6m+H-0.6m)=	
24" (600mm)	10	(3.0)	CONTROLLER CAB.	1	(0.5)	BRACKET MOUNTED	13	(4.0)
30" (750mm)	15	(4.6)	FIBER OPTIC	13	(4.0)	PED. PUSHBUTTON	4	(1.2)
			ELECTRIC SERVICE	1	(0.5)	ELECTRIC SERVICE	13.5	(4.1)
			GROUND CABLE	1	(0.5)	SERVICE TO GROUND	13.5	(4.1)
						POST MOUNTED	6	(1.8)



**NOTE:**  
PUSHBUTTON "A" SHALL PLACE A CALL TO PHASES 6 & 8.

TRAFFIC SIGNAL INSTALLATION ELECTRICAL SERVICE REQUIREMENTS					TOTAL WATTAGE
TYPE	NO. LAMPS	WATTAGE INCAND.	LED	% OPERATION	
SIGNAL (RED)	9	135		0.50	607.50
(YELLOW)	9	135		0.25	303.75
(GREEN)	9	135		0.25	303.75
ARROW	4	135		0.10	54.00
PED. SIGNAL	8		25	1.00	200.00
CONTROLLER	1	100		1.00	100.00
DET. CAMERA	4	25		1.00	100.00
FLASHER				0.50	-
ENERGY COSTS TO:					TOTAL = 1669.00

VILLAGE OF LOMBARD  
255 E. WILSON AVENUE  
LOMBARD, ILLINOIS 60148-3931

ENERGY SUPPLY: CONTACT:  
PHONE:  
COMPANY: COMMONWEALTH EDISON

REVISIONS		ILLINOIS DEPARTMENT OF TRANSPORTATION
NAME	DATE	
		<b>VILLAGE OF LOMBARD</b> <b>WESTMORE/MEYERS RESURFACING PROJECT</b>  <b>TRAFFIC SIGNAL CABLE PLAN, SCHEDULE OF QUANTITIES AND SEQUENCE OF OPERATIONS</b> <b>JACKSON STREET/LOMBARD CIRCLE</b>  SCALE: N.T.S. DATE: 01/31/07
DRAWN BY: JMT		CHECKED BY: DEM

PLOT DATE = 1/24/2007  
 FILE NAME = H:\Lombard\41485 Westmore Meyers Resurfacing\CAD\Tzschibg.dgn