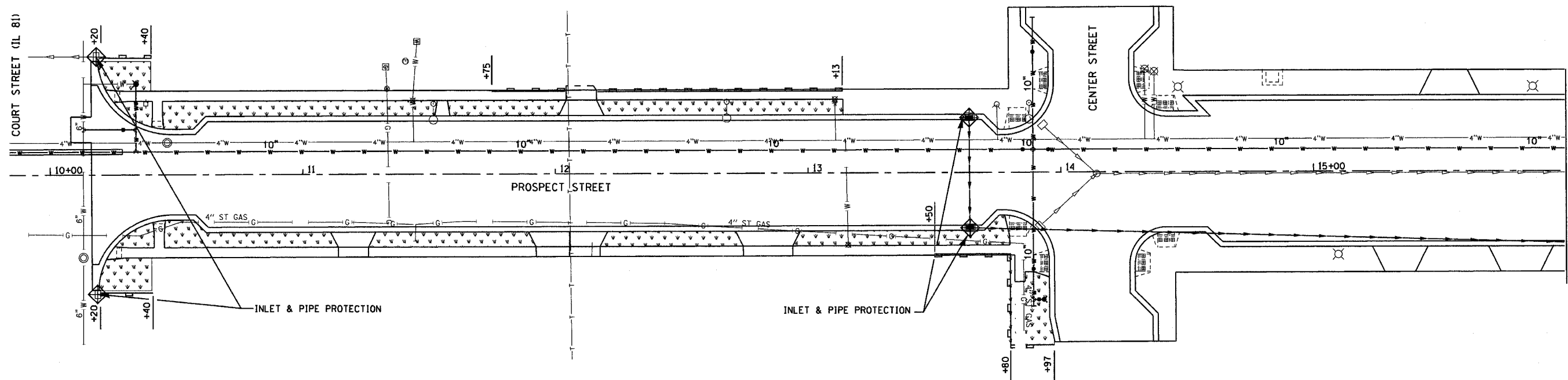
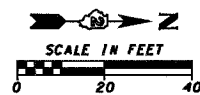


F.A. RY.	SECTION	COUNTY	TOTAL SHEETS	SHEET NO.
MS 6600	05-00012-00-FP	HENRY	75	38
STA.		TO STA.		
FED. ROAD DIST. NO.		ILLINOIS	FED. AID PROJECT	

# EROSION CONTROL PLANS



**NOTES:**

SEE DISTRICT STANDARD 2.1 FOR STORM WATER POLLUTION PREVENTION PLAN.  
 AREAS INDICATED TO HAVE PERMANENT SEEDING SHALL ALSO HAVE TEMPORARY SEEDING AS NECESSARY IN ACCORDANCE WITH THE STORM WATER POLLUTION PREVENTION PLAN.

**LEGEND**

	PERMANENT SEEDING
	INLET & PIPE PROTECTION
	PROPOSED STORM SEWER
	PERIMETER EROSION BARRIER

REVISIONS	
NAME	DATE

ILLINOIS DEPARTMENT OF TRANSPORTATION

## EROSION CONTROL PLANS

SCALE: VERT. HORIZ. DATE

DRAWN BY CHECKED BY

PLOT DATE \* DATES \*  
 FILE NAME \* FILES \*  
 PLOT SCALE \* SCALES \*  
 USER NAME \* USERS \*