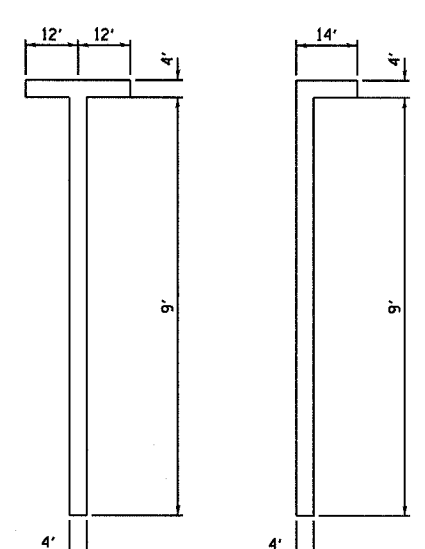
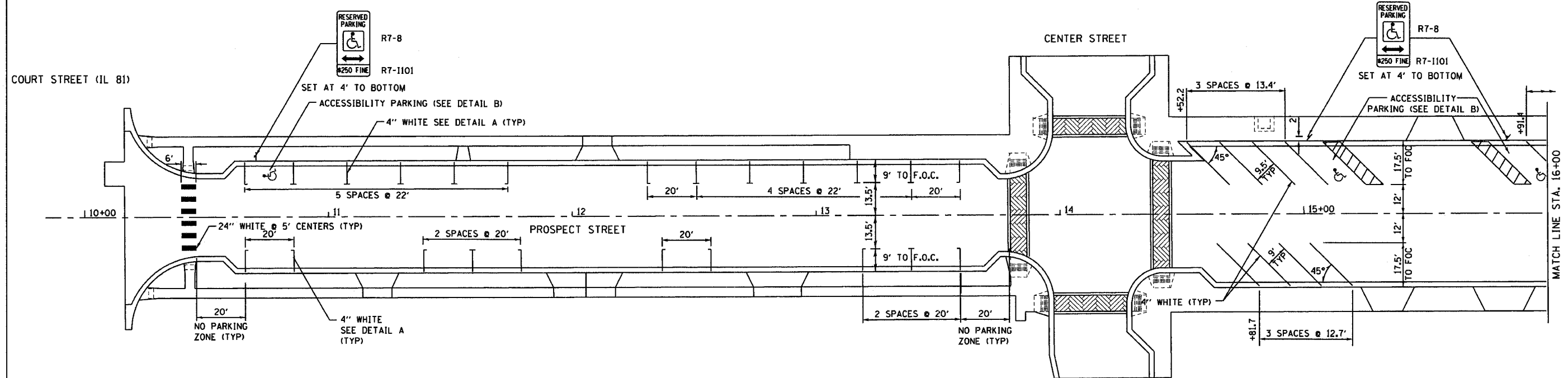
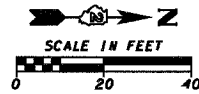
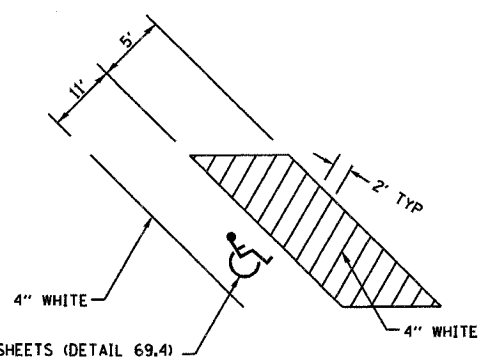


F.A. RTE.	SECTION	COUNTY	TOTAL SHEETS	SHEET NO.
MS 6600	05-00012-00-FP	HENRY	75	47
STA. 10+16.37		TO STA. 16+00		
FED. ROAD DIST. NO.		ILLINOIS FED. AID PROJECT		

PAVEMENT MARKING



DETAIL A



DETAIL B

SEE DISTRICT DETAILS SHEETS (DETAIL 69.4)

PLOT DATE: * * * * *
 FILE NAME: * * * * *
 PLOT SCALE: * * * * *
 USER NAME: * * * * *

REVISIONS	
NAME	DATE

ILLINOIS DEPARTMENT OF TRANSPORTATION

PAVEMENT MARKING

SCALE: VERT. DRAWN BY
 HORIZ. CHECKED BY
 DATE