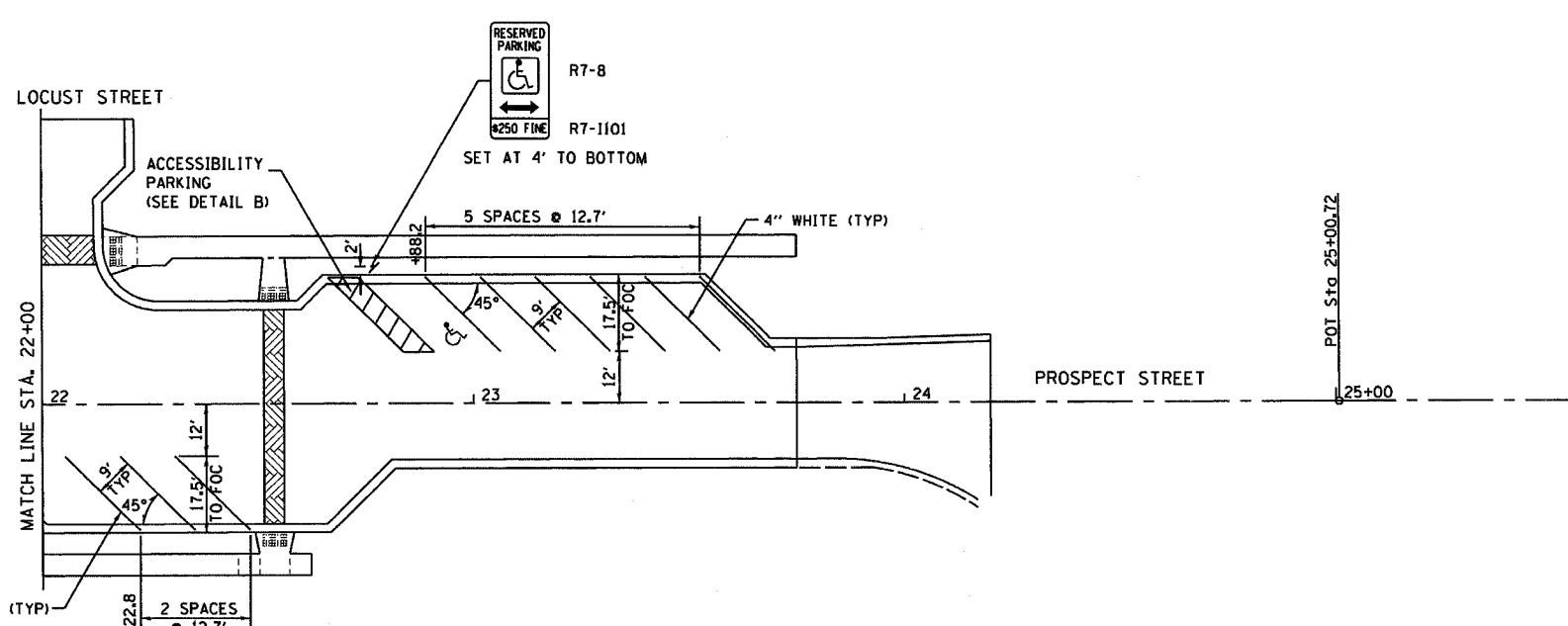
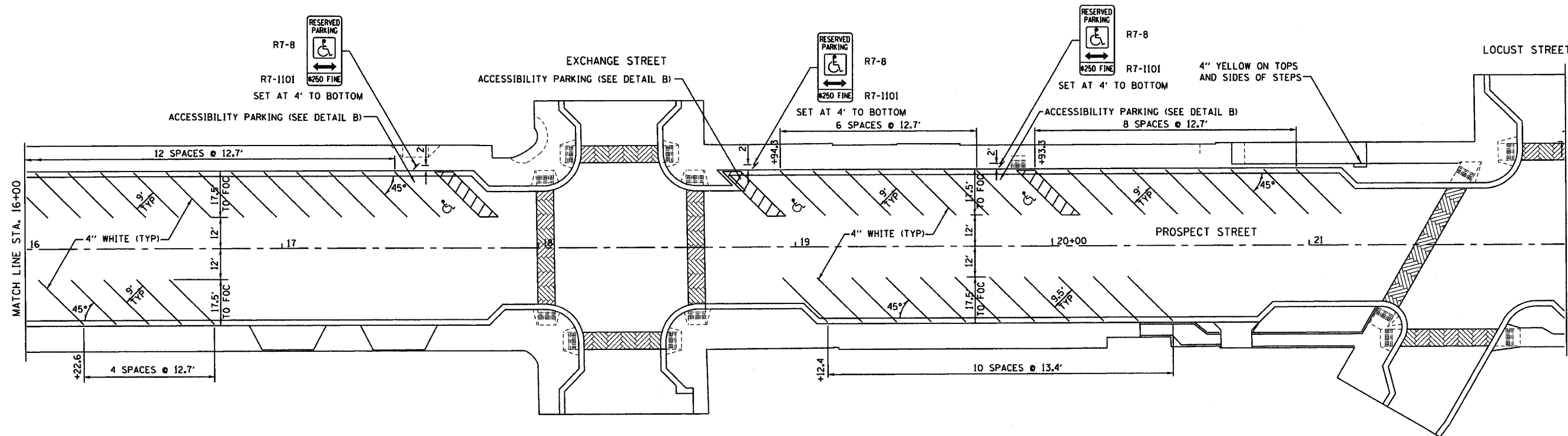
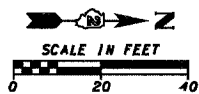


F.A. RTE.	SECTION	COUNTY	TOTAL SHEETS	SHEET NO.
MS 6600	05-00012-00-FP	HENRY	75	48
STA. 16+00		TO STA. 25+00		
FED. ROAD DIST. NO.		ILLINOIS FED. AID PROJECT		

PAVEMENT MARKING



PLOT DATE * DATES
FILE NAME * FILES
PLOT SCALE * SCALES
USER NAME * USERS

REVISIONS	
NAME	DATE

ILLINOIS DEPARTMENT OF TRANSPORTATION

PAVEMENT MARKING

SCALE: VERT. DRAWN BY
 HORIZ. CHECKED BY
DATE