

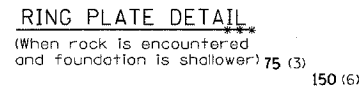
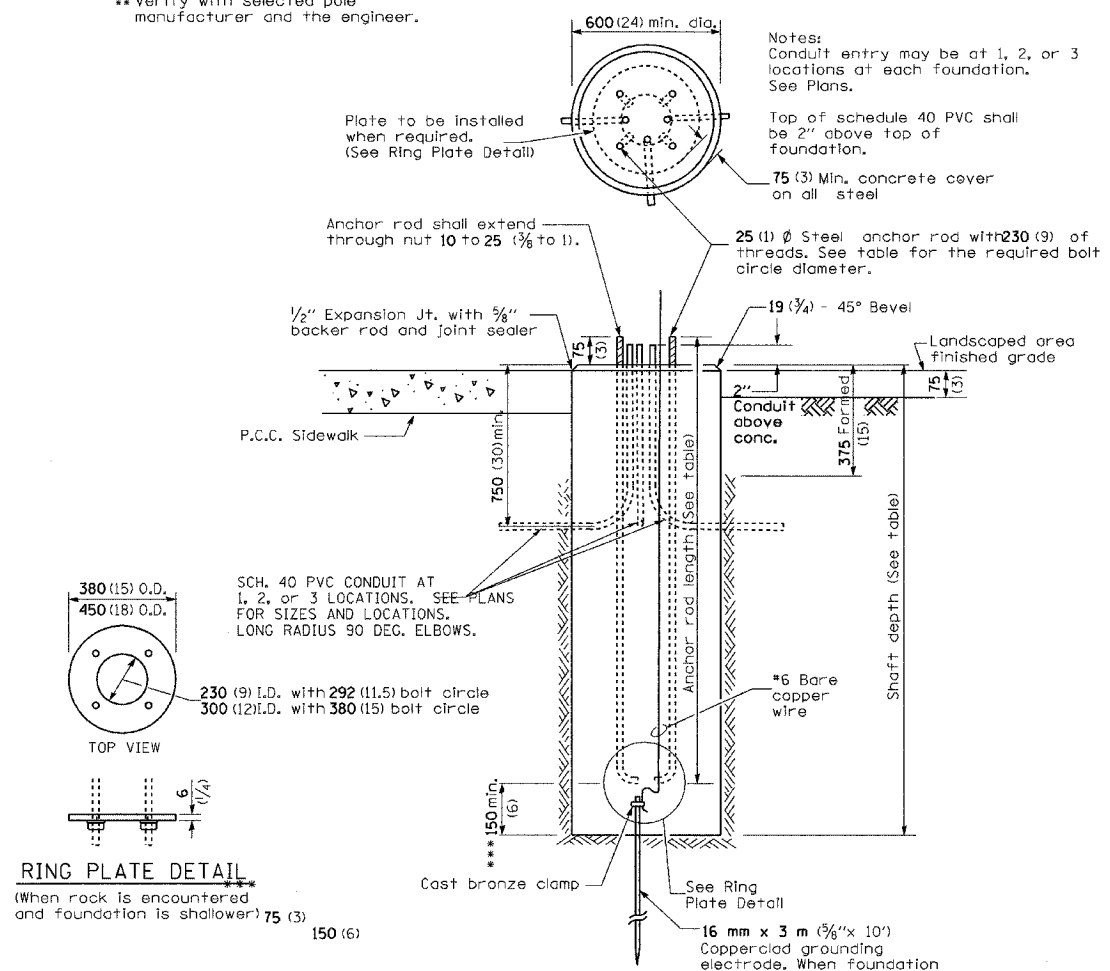
CONTRACT NO. 85406				
F.A. RTE.	SECTION	COUNTY	TOTAL SHEETS	SHEET NO.
MS 6600	05-00012-00-FP	HENRY	75	52
STA. 10+16.03		TO STA. 16+00		
FED. ROAD DIST. NO.	ILLINOIS	FED. AID PROJECT		

LIGHTING PLANS

CONCRETE LIGHT POLE FOUNDATION				
LIGHT POLE HEIGHT	BOLT CIRCLE DIAMETER**	SHAFT DIAMETER	SHAFT DEPTH	ANCHOR ROD LENGTH*
≤4.5 m (15')	305 mm (12")	600 mm (24")	1.52 m (5'-0")	1.45 m (4'-9")

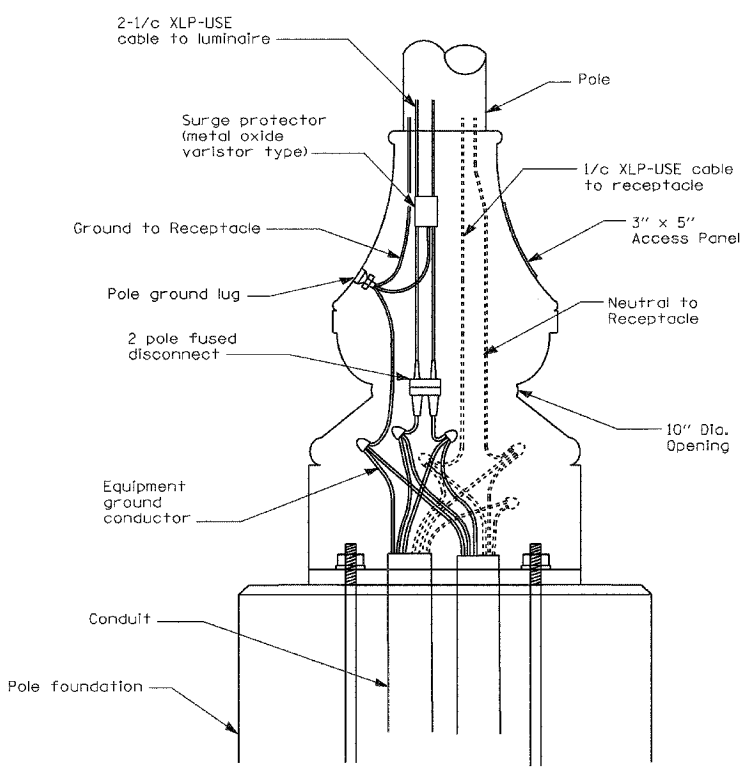
Notes:
 All foundations are designed to be located on slopes not exceeding 2:1 where soils have an unconfined compressive strength of at least 1.0 TSF. The contractor shall verify the soil strength during drilling for concrete foundations and notify the engineer if other conditions are encountered.
 Contractor shall install light poles and lights supplied by the Village of Cambridge. Specifications for the poles and lights are in the Special Provisions.

* Length does not include 100 (4)hook
 ** Verify with selected pole manufacturer and the engineer.

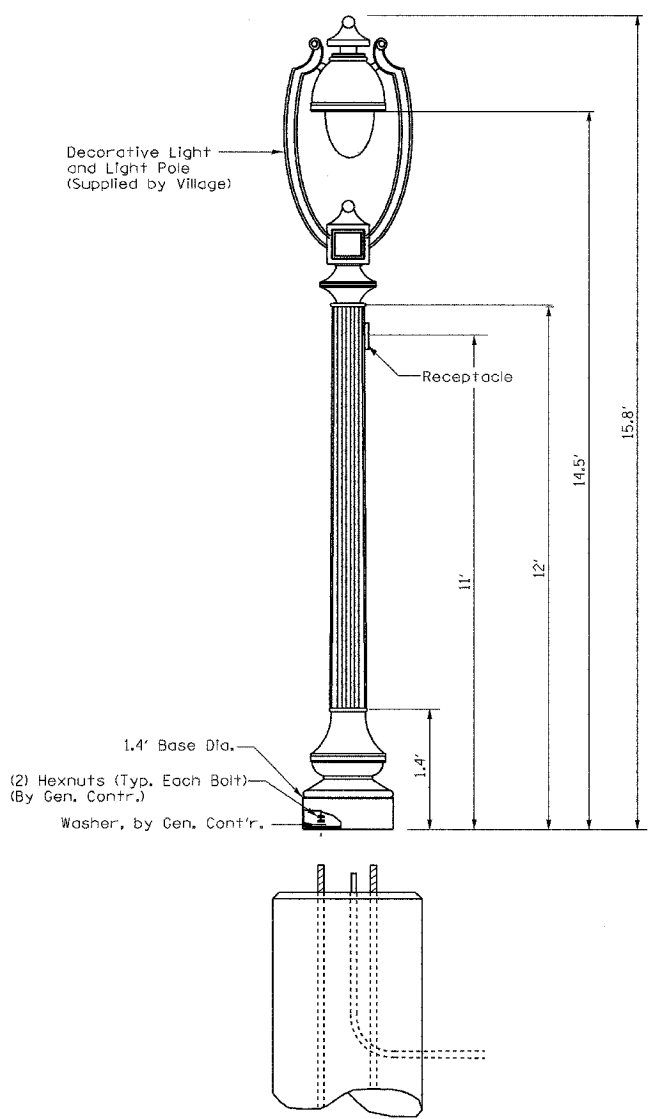


If the required anchor rod length above top of foundation is less than anchor rods may be lowered below

CONCRETE LIGHT POLE FOUNDATION
 NTS



POLE BASE MOUNTING & WIRING
 NTS



DECORATIVE LIGHT POLE AND FIXTURE
 NTS

PLOT DATE
 FILE NAME
 PLOT SCALE
 USER NAME

REVISIONS		ILLINOIS DEPARTMENT OF TRANSPORTATION	
NAME	DATE		

LIGHTING PLANS

SCALE: VERT. DRAWN BY
 HORIZ. CHECKED BY
 DATE