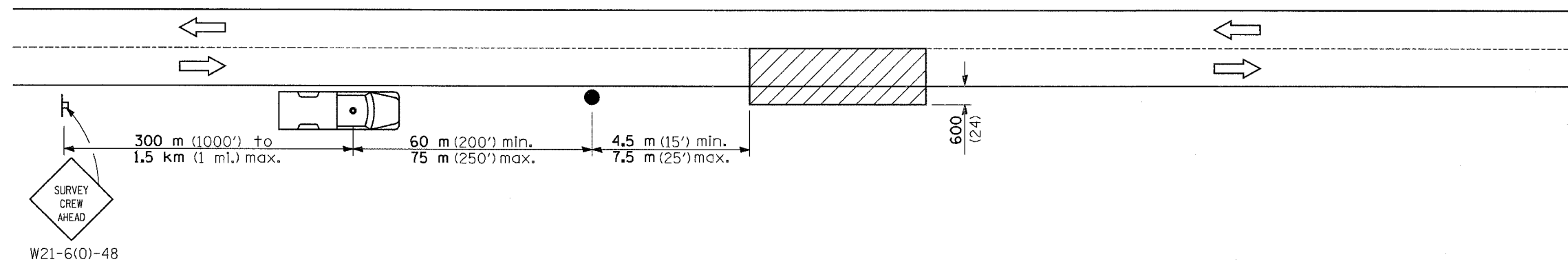
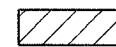


CONTRACT NO. 85406				
F.A. RTE.	SECTION	COUNTY	TOTAL SHEETS	SHEET NO.
MS 8600	05-00012-00-FP	HENRY	75	53A
STA.		TO STA.		
FED. ROAD DIST. NO.	ILLINOIS	FED. AID PROJECT		



SYMBOLS



Work area



Sign on portable or permanent support



Truck with flashing amber light and dual emergency flashers



Flagger with traffic control sign

TYPICAL APPLICATIONS

Utility operations

All dimensions are in millimeters (inches) unless otherwise shown.

PLOT DATE \* DATE  
FILE NAME \* SHEETS  
FILE NAME \* SHEETS  
USER NAME \* NUMBER

REVISIONS	
NAME	DATE

ILLINOIS DEPARTMENT OF TRANSPORTATION  
**LIGHTING PLANS  
DETAIL FOR NIGHTTIME  
LIGHTING INSPECTION**

SCALE: VERT.  
DATE:      HORIZ.

DRAWN BY  
CHECKED BY

**LGT017.M32**