

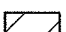
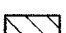
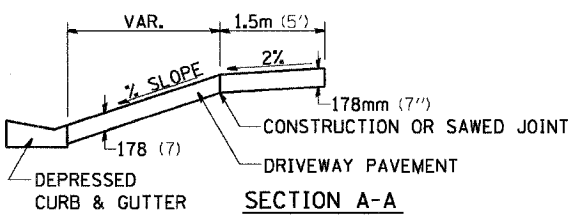
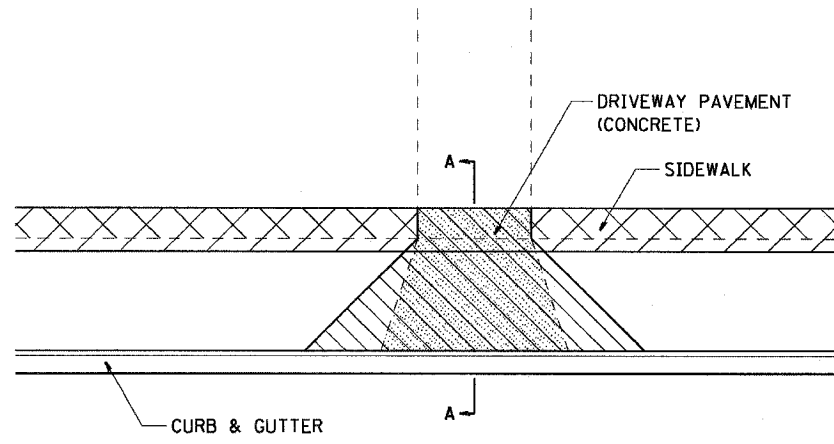


SIDEWALK AND DRIVEWAY PAVEMENT PAY AREAS

CONTRACT NO. 85406				
F.A. RTE.	SECTION	COUNTY	TOTAL SHEETS	SHEET NO.
MS 6600	05-00012-00-FP	HENRY	75	59
STA.		TO STA.		
FED. ROAD DIST. NO.	ILLINOIS	FED. AID PROJECT		

- PAY FOR AS
-  SIDEWALK REMOVAL
 -  DRIVEWAY PAVEMENT REMOVAL
 -  PCC SIDEWALK 127 (5)
 -  PCC DRIVEWAY PAVEMENT 178 (7)



FOR DETAILS ON DIMENSIONS AND GRADES, SEE DISTRICT STANDARD 25.1 OR PLANS.

ALL DIMENSIONS ARE IN MILLIMETERS (INCHES) UNLESS OTHERWISE NOTED.

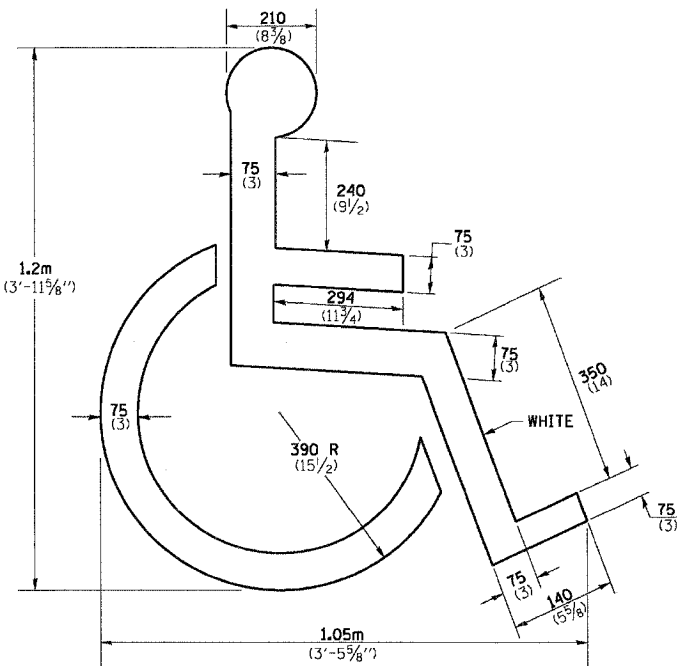
PLOT DATE = Mon Jun 26 11:55:44 2006
 FILE NAME = c:\projects\2626\2626.dwg
 PLOT SCALE = 1:8000 / IN.
 REFERENCE = WEP'S

SIDEWALK AND DRIVEWAY PAVEMENT PAY AREAS 35.4

REVISED 10-15-04

DISABLED SYMBOL

CONTRACT NO.				
F.A. RTE.	SECTION	COUNTY	TOTAL SHEETS	SHEET NO.
STA.		TO STA.		
FED. ROAD DIST. NO.	ILLINOIS	FED. AID PROJECT		



QUANTITY
 0.27 m² (2.9 ft²)

ALL DIMENSIONS ARE IN MILLIMETERS (INCHES) UNLESS OTHERWISE NOTED.

PLOT DATE = Mon Jun 26 11:57:08 2006
 FILE NAME = c:\projects\2626\2626.dwg
 PLOT SCALE = 1:8000 / IN.
 REFERENCE = WEP'S

DISABLED SYMBOL 69.4

REVISED 5-4-94