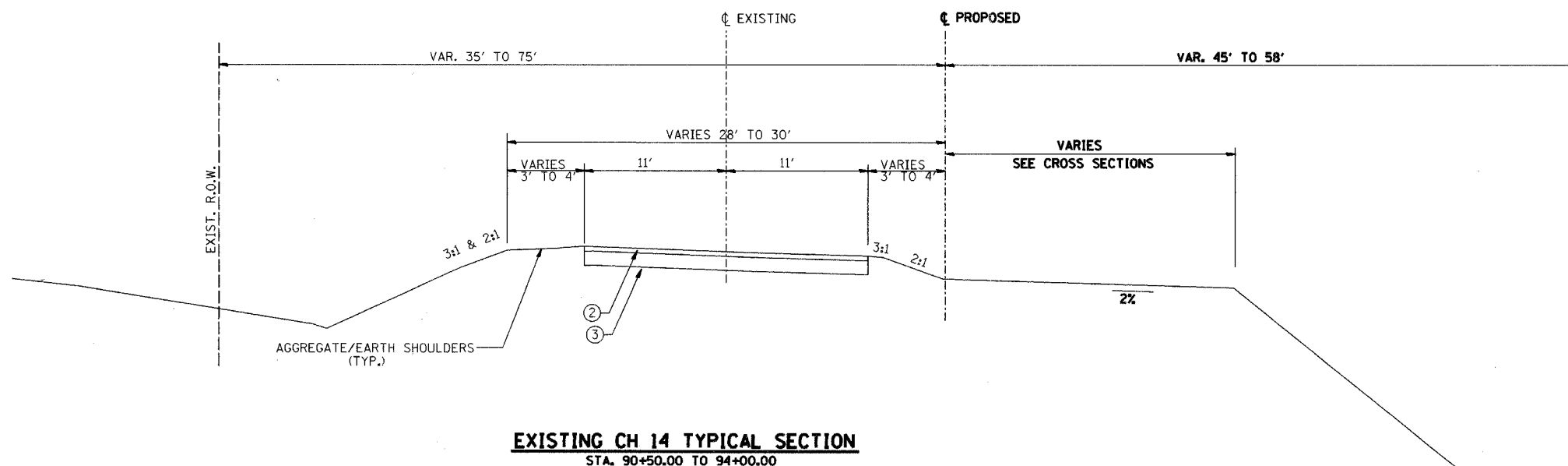
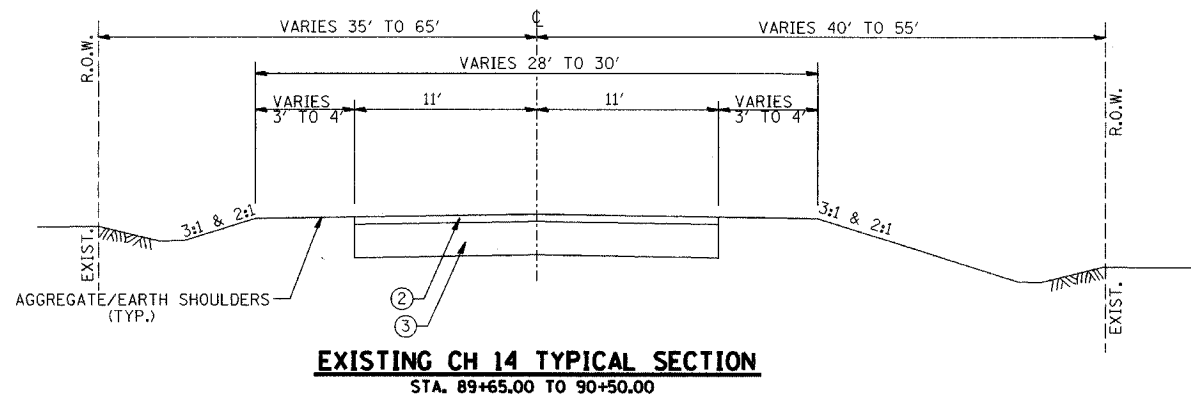
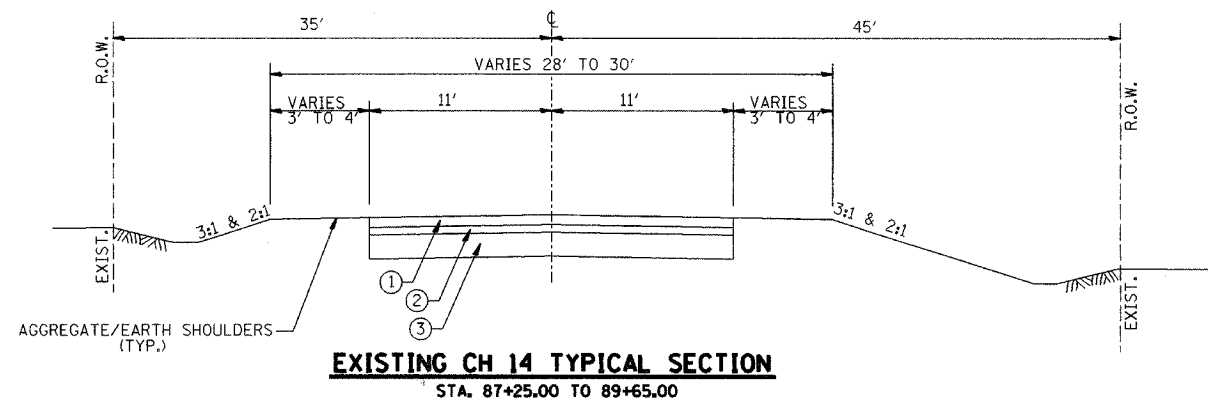


ROUTE NO.	SECTION	COUNTY	TOTAL SHEETS	SHEET NO.
C.H. 14 F.A.S. 209	00-00091-00-BR	MERCER	III	5
FED. ROAD DIST. NO.	ILLINOIS PROJECT			

CONTRACT NO 89312



- ① EXISTING BITUMINOUS OVERLAY (VARIES 0" TO 6")
- ② EXISTING A3 SURFACE 2"
- ③ EXISTING AGGREGATE BASE 16"
- ④ EXISTING AGGREGATE SURFACE 8"
- ⑤ EXISTING PAVEMENT REMOVAL
- ⑥ HOT-MIX ASPHALT SURFACE COURSE, MIX "C", N50 (2")
- ⑦ HOT-MIX ASPHALT BINDER COURSE, IL-19.0, N50 (4 1/2")
- ⑧ HOT-MIX ASPHALT BINDER COURSE, IL-19.0, N50 (VARIABLE DEPTH)
- ⑨ HOT-MIX ASPHALT BASE COURSE, WIDENING, 6"
- ⑩ HOT-MIX ASPHALT BASE COURSE, 4"
- ⑪ HOT-MIX ASPHALT PAVEMENT (FULL DEPTH), 6 1/2"
- ⑫ SUB-BASE GRANULAR MATERIAL, TYPE B (9 1/2")
- ⑬ AGGREGATE SHOULDERS, TYPE A (6")
- ⑭ TOP SOIL (4")
- ⑮ SEEDING, CLASS 3 W/ EROSION CONTROL BLANKET
- ⑯ SEEDING, CLASS 2A
- ⑰ 4" SOLID WHITE EDGE LINE
- ⑱ 4" SOLID YELLOW DOUBLE CENTERLINE
- ⑲ AGGREGATE SURFACE COURSE, TYPE A (8")

EXISTING TYPICAL SECTIONS		
Date	Designed: SMK	F.A.S. 209 (C.H. 14) OVER KEATING CREEK NEW BOSTON ROAD SECTION 00-00091-00-BR MERCER COUNTY
Revisions	Drawn: MEC	
	Checked: SMK	
	Approved: SMK	
Prepared by:	URS 345 East Ash Avenue Deerfield, IL 60015	URS Job No. 21-00001253.01