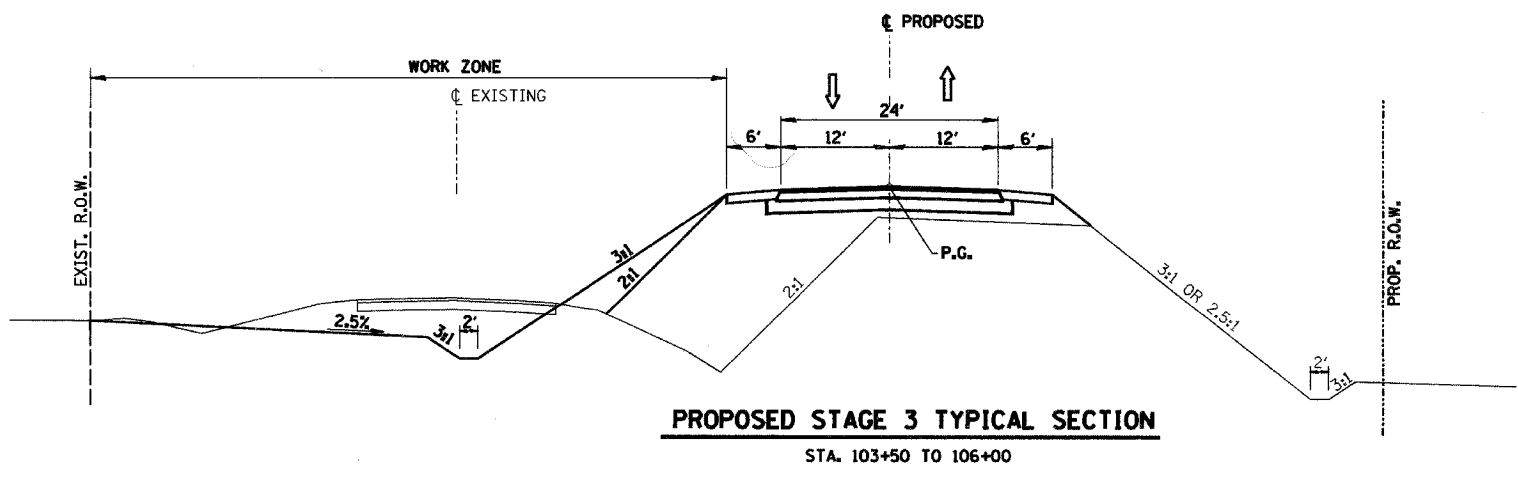
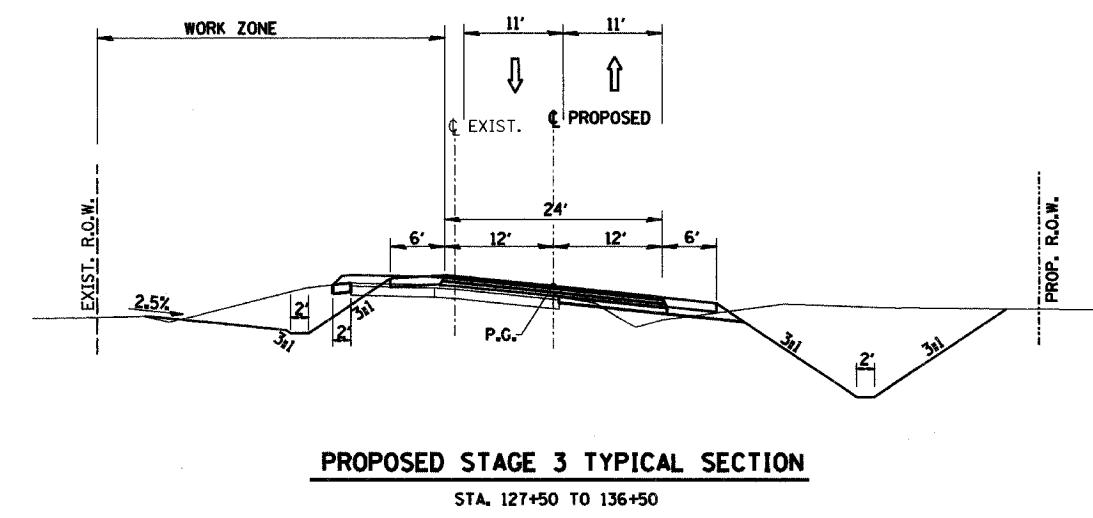
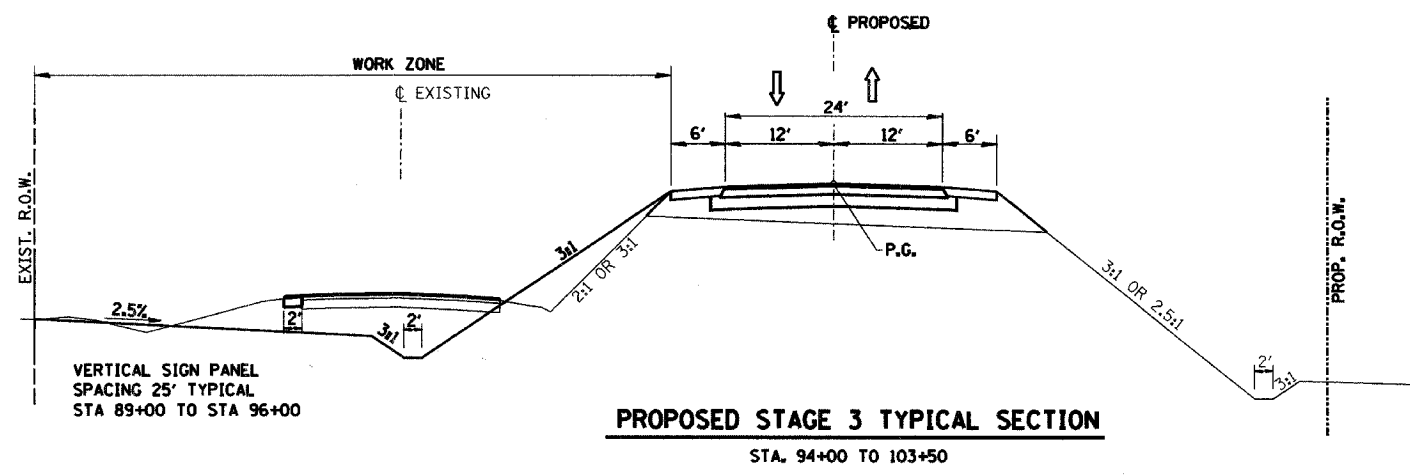
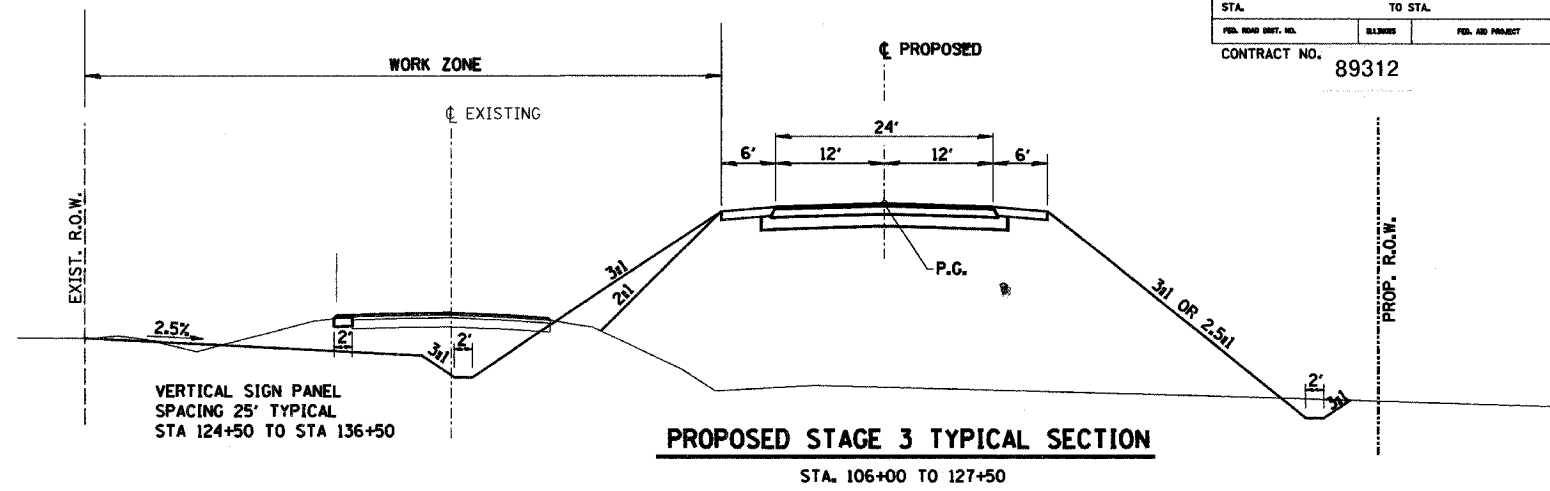
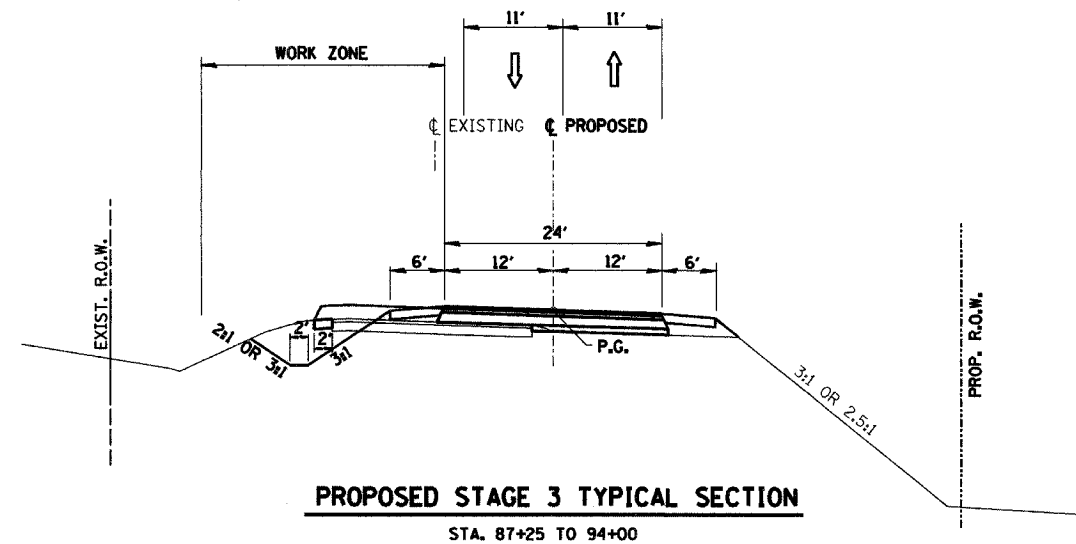


RTE.	SECTION	COUNTY	TOTAL SHEETS	SHEET NO.
C.H. 14 F.A.S. 209	00-00091-00-BR	MERCER	111	37
STA.	TO STA.			
FED. ROAD DIST. NO.	BILLBOARD	FED. AID PROJECT		

CONTRACT NO. 89312



⇨ = DIRECTION OF TRAFFIC DURING NON WORKING HOURS
 ⇨ = SHARED LANES WITH FLAGGING OPERATIONS DURING WORKING HOURS

TRAFFIC CONTROL - STAGE 3A AND 3B		
Date	Designed: SMK	F.A.S. 209 (C.H. 14) OVER KEATING CREEK NEW BOSTON ROAD SECTION 00-00091-00-BR MERCER COUNTY
Revisions	Drawn: SRS	
	Checked: SMK	
	Approved: SMK	
Prepared by:	URS 345 East Ash Avenue Decatur, IL 62526	URS Job No. 21-00001253.01