


ROUTE NO.	SECTION	COUNTY	TOTAL SHEETS	SHEET NO.
C.H. 14 F.A.S. 209	00-00091-00-BR	MERCER	III	52
FED. ROAD DIST. NO.	ILLINOIS PROJECT			

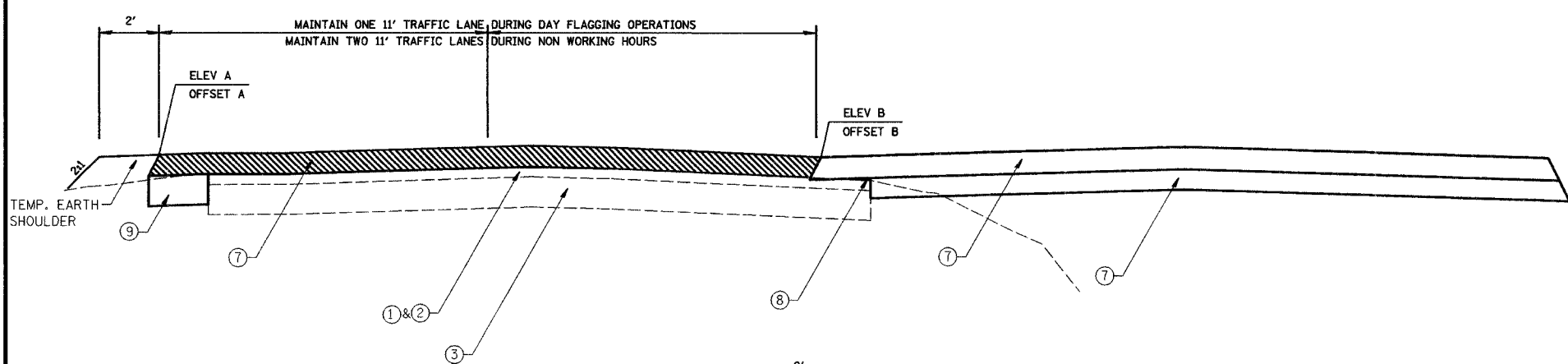
CONTRACT NO. 89312

STAGE PAVING TYPICAL SECTIONS AND ELEVATION / OFFSET INFORMATION IS PROVIDED TO AID THE CONTRACTOR IN PLACING THE BUILD UP OF HOT MIX ASPHALT BINDER COURSE LAYERS WHILE MAINTAINING TRAFFIC.

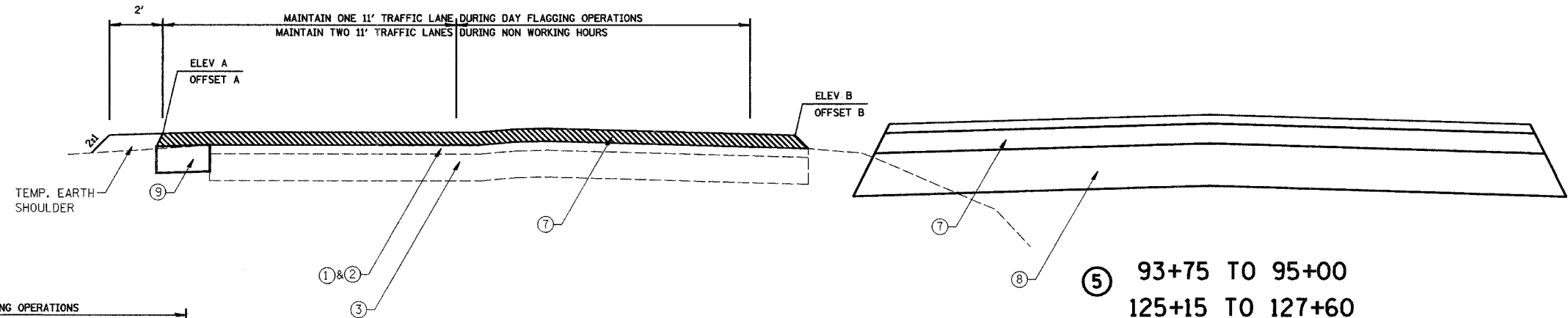
THE FINAL 4 1/2" LAYER SHOULD BE PLACED AFTER THE VARIABLE DEPTH HAS BEEN PLACED.

WORK THESE TYPICAL SECTIONS WITH THE FOLLOWING TABLES SHOWN ON THE PAVING DETAILS SHEETS.

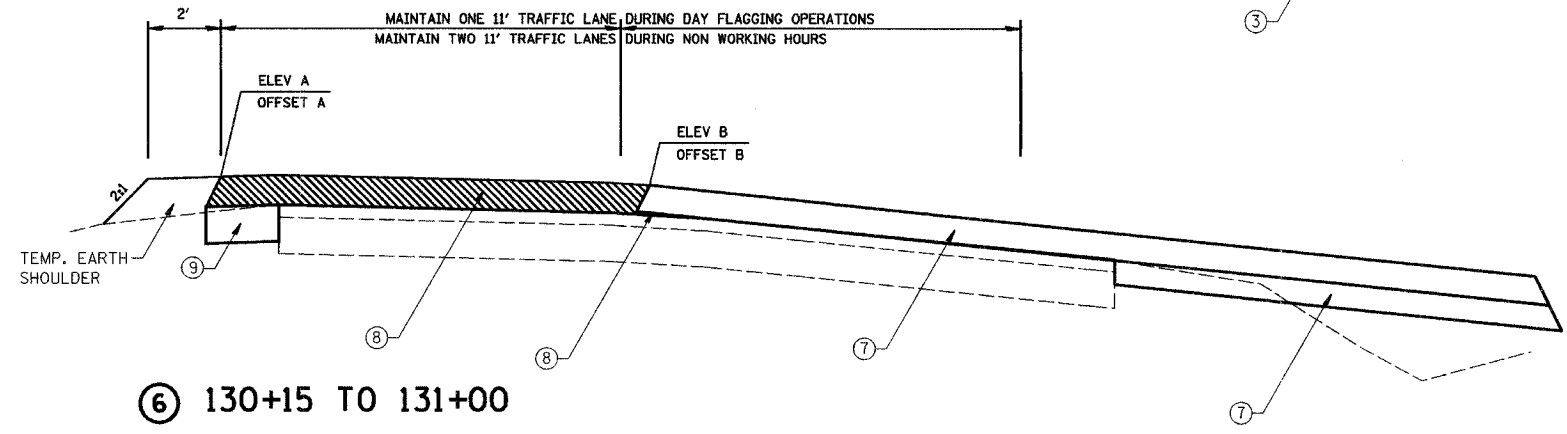
 HOT MIX ASPHALT BINDER COURSE IL-19.0 N50 PLACED AS TEMPORARY PAVEMENT DURING THE STAGE PAVING OPERATIONS FOR MAINTENANCE OF TRAFFIC TO BE REMOVED AT A LATER STAGE PRIOR TO SURFACE COURSE PLACEMENT.



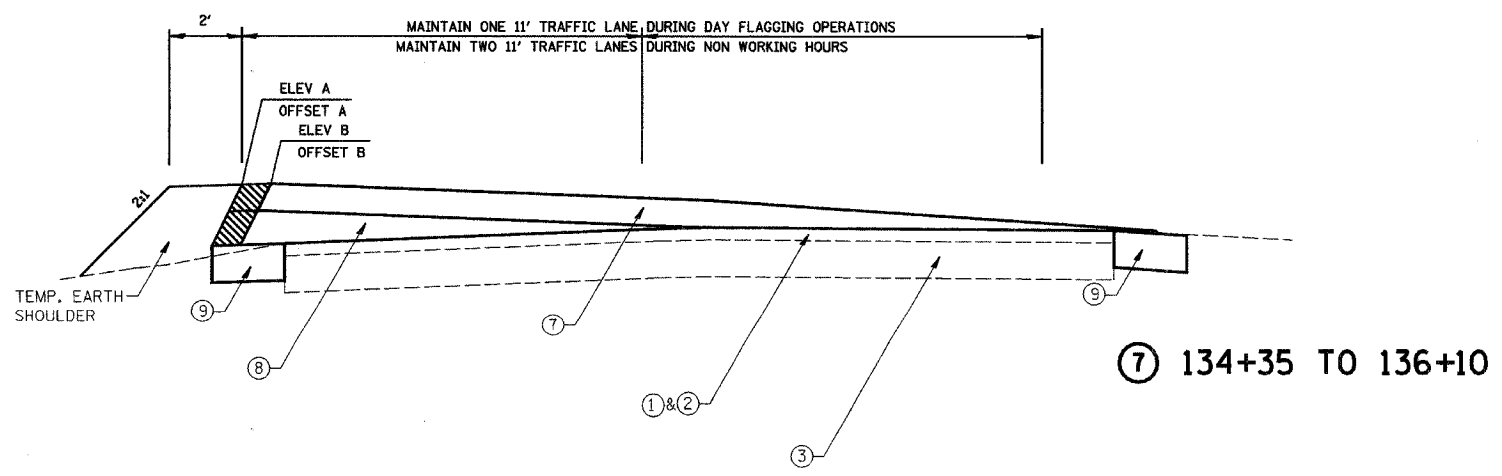
④ 93+35 TO 93+70
127+90 TO 128+75



⑤ 93+75 TO 95+00
125+15 TO 127+60



⑥ 130+15 TO 131+00



⑦ 134+35 TO 136+10

- ① EXISTING BITUMINOUS OVERLAY (VARIES 0" TO 6")
- ② EXISTING A3 SURFACE 2"
- ③ EXISTING AGGREGATE BASE 16"
- ④ EXISTING AGGREGATE SURFACE 8"
- ⑤ EXISTING PAVEMENT REMOVAL
- ⑥ HOT-MIX ASPHALT SURFACE COURSE, MIX "C", N50 (2")
- ⑦ HOT-MIX ASPHALT BINDER COURSE, IL-19.0, N50 (4 1/2")
- ⑧ HOT-MIX ASPHALT BINDER COURSE, IL-19.0, N50 (VARIABLE DEPTH)
- ⑨ HOT-MIX ASPHALT BASE COURSE WIDENING, 6"
- ⑩ HOT-MIX ASPHALT BASE COURSE, 4"
- ⑪ HOT-MIX ASPHALT PAVEMENT (FULL DEPTH), 6 1/2"
- ⑫ SUB-BASE GRANULAR MATERIAL, TYPE B (9 1/2")
- ⑬ AGGREGATE SHOULDERS, TYPE A (6")
- ⑭ TOP SOIL (4")
- ⑮ SEEDING, CLASS 7
- ⑯ SEEDING, CLASS 2A
- ⑰ 4" SOLID WHITE EDGE LINE
- ⑱ 4" SOLID YELLOW DOUBLE CENTERLINE
- ⑲ AGGREGATE SURFACE COURSE, TYPE A (8")

STAGE PAVING TYPICAL SECTIONS		
Date	Designed: SMK	F.A.S. 209 (C.H. 14) OVER KEATING CREEK NEW BOSTON ROAD SECTION 00-00091-00-BR MERCER COUNTY
Revisions	Drawn: MEC	
	Checked: SMK	
	Approved: SMK	
Prepared by:	URS 345 East Ash Avenue Decatur, IL 62526	URS Job No. 21-00001253.01