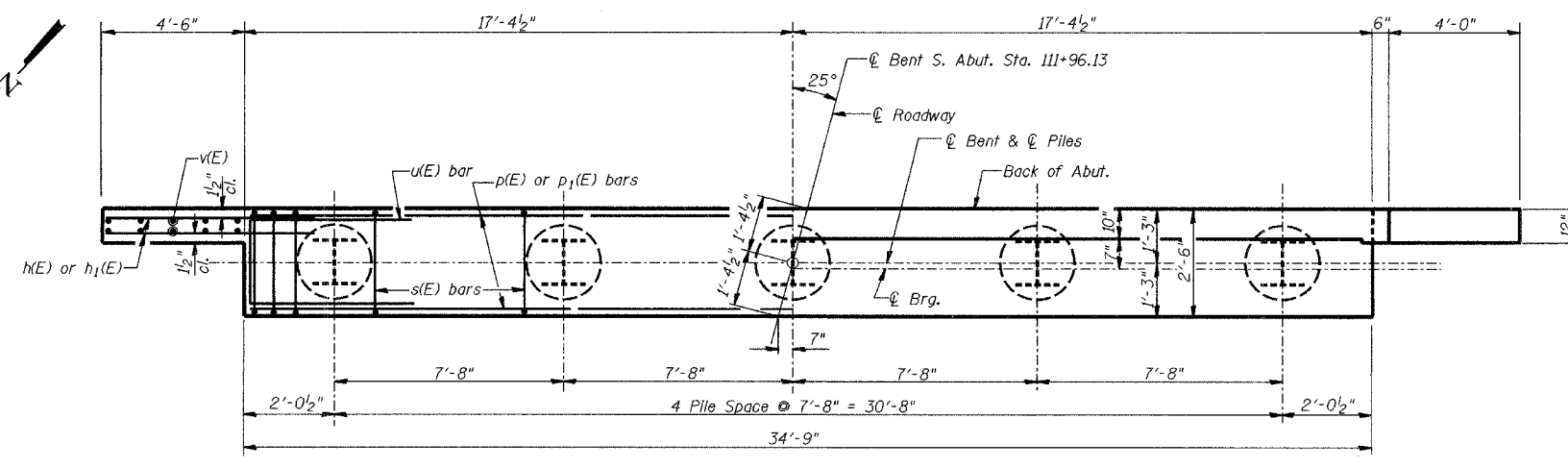


ROUTE NO.	SECTION	COUNTY	TOTAL SHEETS	SHEET NO.
CH 14 F.A.S. 209	00-00091-00-BR	MERCER	III	63
FED. ROAD DIST. NO.	ILLINOIS	PROJECT		

CONTRACT NO. 89312

NOTES

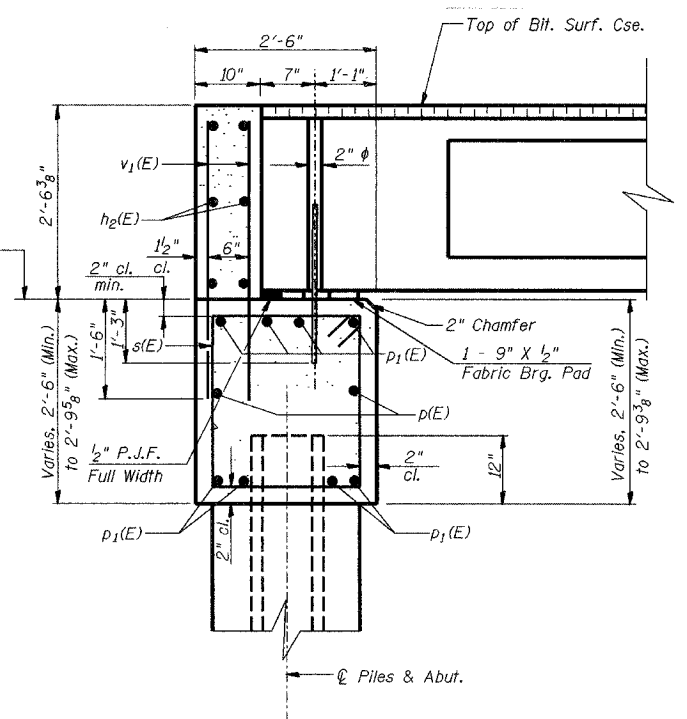
- The Backwall and the portion of the Wingwalls above the bonded construction joint shall be cast against the in-place Deck Beams.
- 1" dia. x 2'-6" dowel rods in 1 1/2" dia. holes drilled in cap (4 each beam). Dowel rods to be grouted after beams are in place and allowed to cure (min. 24 hrs.) prior to grouting the shear keys. The grout shall be an approved non-shrink grout.
- Reinforcement Bars designated (E) shall be Epoxy Coated.
- Reinforcement bars shall conform to the requirements of AASHTO M-31 or M-322, Grade 60.
- Space Reinforcement in cap to miss Bonded Const. Jt.
- The Steel H-Piles shall be according to AASHTO M-270, Grade 50.
- The test pile shall be driven to 110 percent of the Nominal Required Bearing indicated in the Pile Data Information.



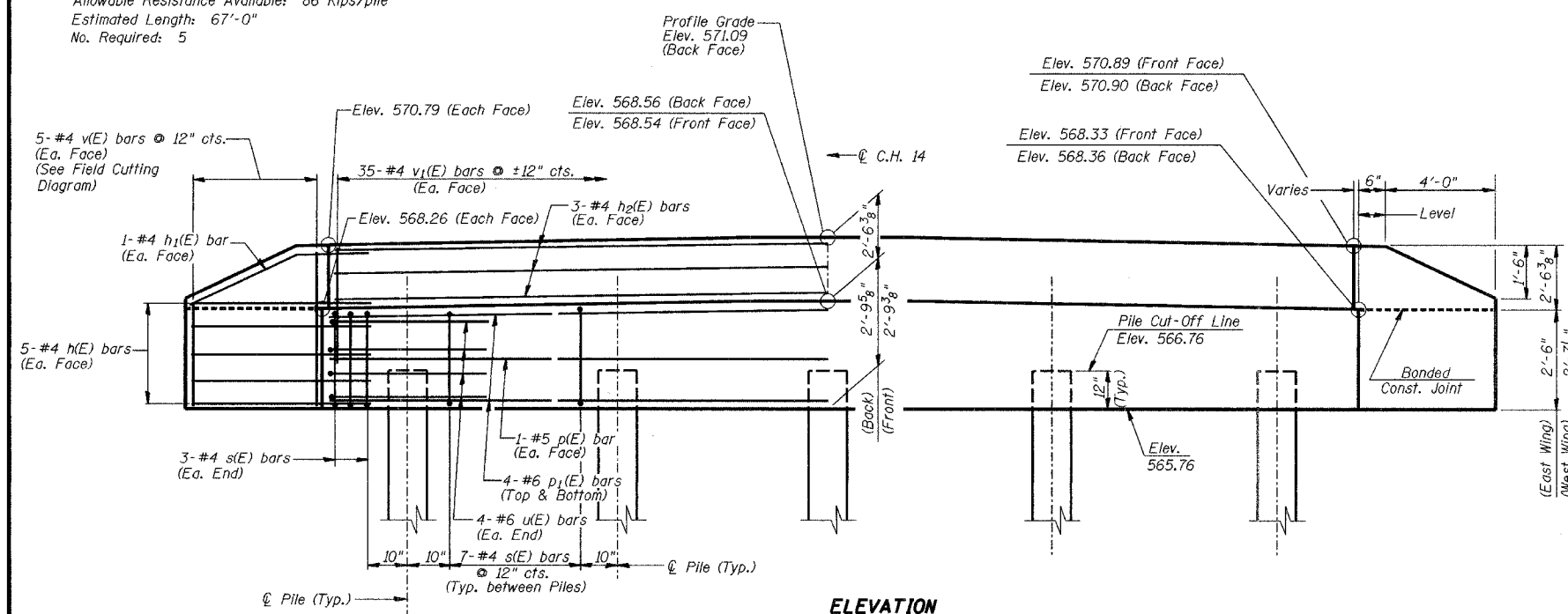
PLAN

PILE DATA

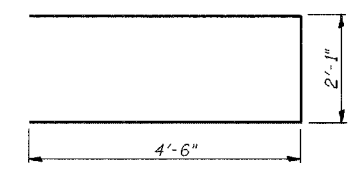
Type: Steel HP8x36
 Nominal Required Bearing: 286 Kips/pile
 Allowable Resistance Available: 86 Kips/pile
 Estimated Length: 67'-0"
 No. Required: 5



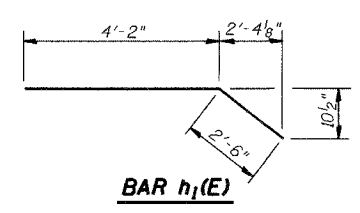
SECTION THRU ABUT.
(At Rt. Angles)



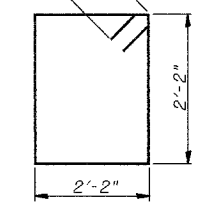
ELEVATION
(Looking South)



BAR u(E)



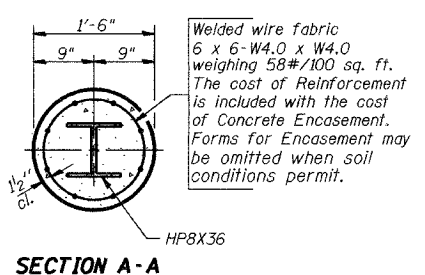
BAR h1(E)



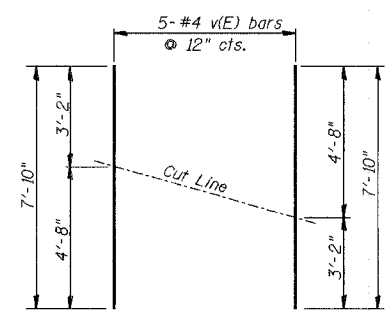
BAR s(E)

BILL OF MATERIAL
SOUTH ABUTMENT

Bar	No.	Size	Length	Shape
h(E)	20	#4	6'-6"	—
h1(E)	4	#4	6'-8"	—
h2(E)	6	#4	34'-5"	—
p(E)	2	#5	34'-5"	—
p1(E)	8	#6	34'-5"	—
s(E)	34	#4	9'-5"	□
u(E)	8	#6	11'-1"	—
v(E)	10	#4	7'-10"	—
v1(E)	70	#4	3'-10"	—
Concrete Structures			Cu. Yd.	12.6
Steel Piles HP 8x36			Foot	335
Reinforcement Bars, Epoxy Coated			Pound	1310
Concrete Encasement			Cu. Yd.	1



SECTION A-A



FIELD CUTTING DIAGRAM

Order bars full length. Cut to fit as shown and use remainder of bars in other face.

SOUTH ABUTMENT		Sheet No.
Date	Designed DCS	5 of 5
Revisions	Drawn BKN	
	Checked DCS	
	Approved KWB	
F.A.S. 209 (C.H. 14) OVER KEATING CREEK SECTION 00-00091-00-BR MERCER COUNTY STA. III+67.50 PROP. STR. NO. 066-3157		WVP Job No. 2100001253.01
Prepared by:	URS 3040 North University Avenue Decatur, IL 62526	