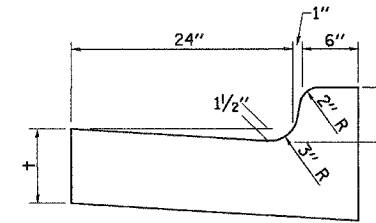
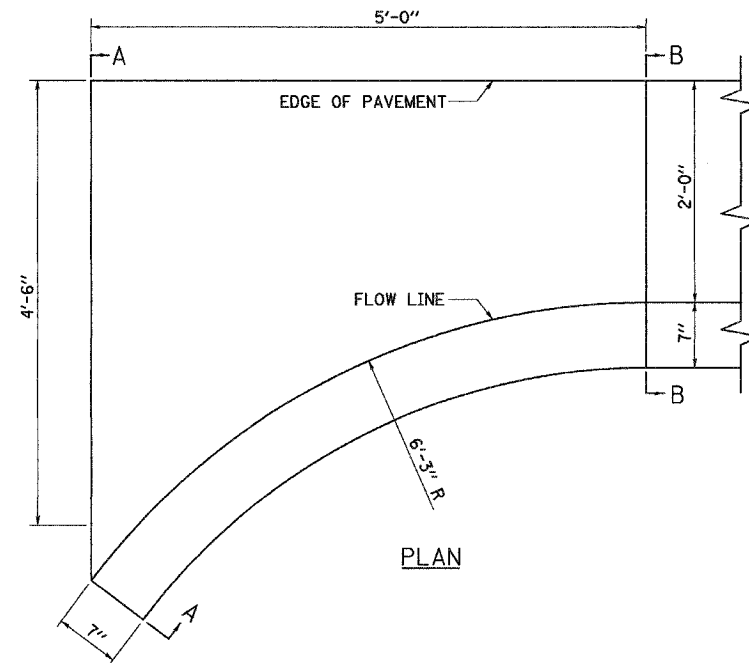
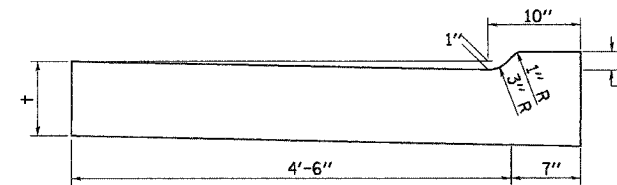


F.A.U. RTE.	SECTION	COUNTY	TOTAL SHEETS	SHEET NO.
8183	04-00120-00-FP	MORGAN	28	16
FED. ROAD DIST. NO.		ILLINOIS	FED. AID PROJECT	

CONTRACT NO. 93431



SECTION B-B



SECTION A-A

NOTE: COMBINATION CURB AND GUTTER TAPERS WILL NOT BE PAID FOR SEPARATELY, BUT SHALL BE CONSIDERED INCLUDED IN THE COST OF THE TYPE B-6.24 COMBINATION CURB AND GUTTER

DETAIL OF TAPER FOR COMBINATION CONCRETE CURB AND GUTTER, TYPE B-6.24

REVISIONS	
NAME	DATE

ILLINOIS DEPARTMENT OF TRANSPORTATION

SPECIAL DETAILS

DATE JULY, 2006
DRAWN BY JMO
CHECKED BY JRB