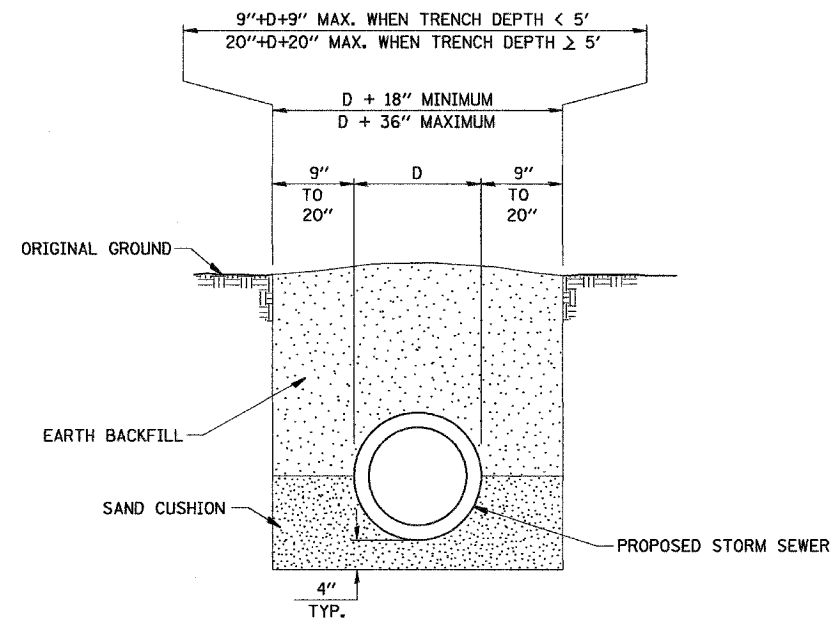
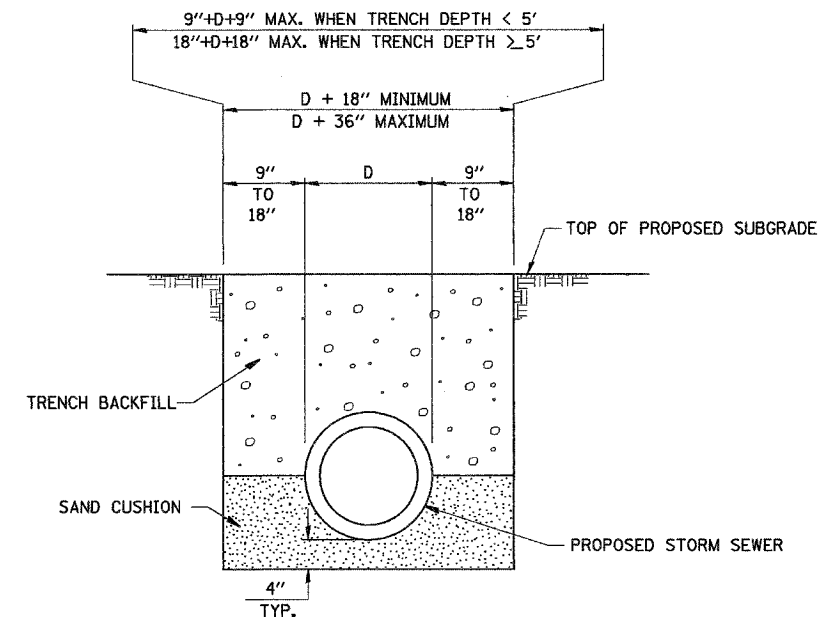


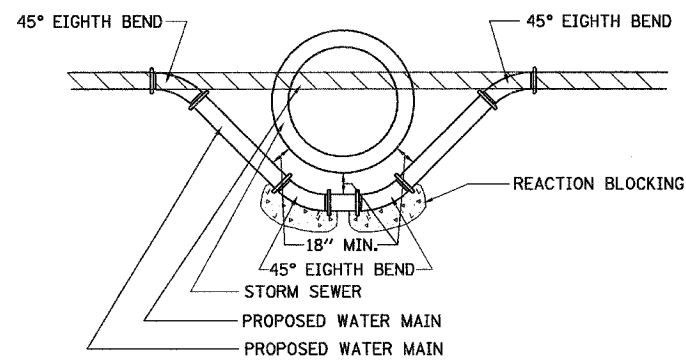
F.A.U. RTE.	SECTION	COUNTY	TOTAL SHEETS	SHEET NO.
8183	04-00120-00-FP	MORGAN	28	18
FED. ROAD DIST. NO.	ILLINOIS	FED. AID PROJECT		



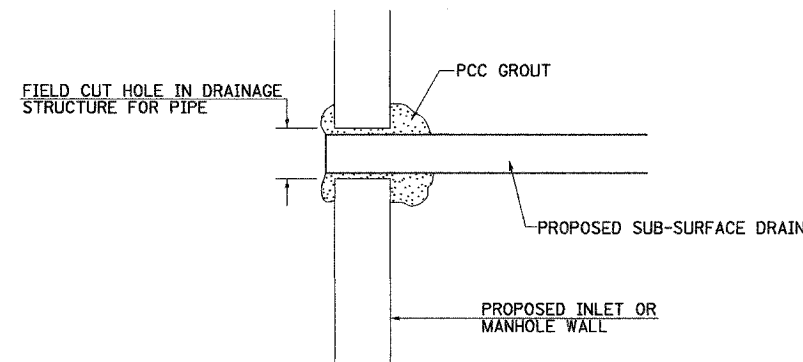
DETAIL OF TRENCH EXCAVATION AND BACKFILL UNDER TURF



DETAIL OF TRENCH EXCAVATION AND BACKFILL UNDER PROPOSED ROADWAY PAVEMENT AND ENTRANCES

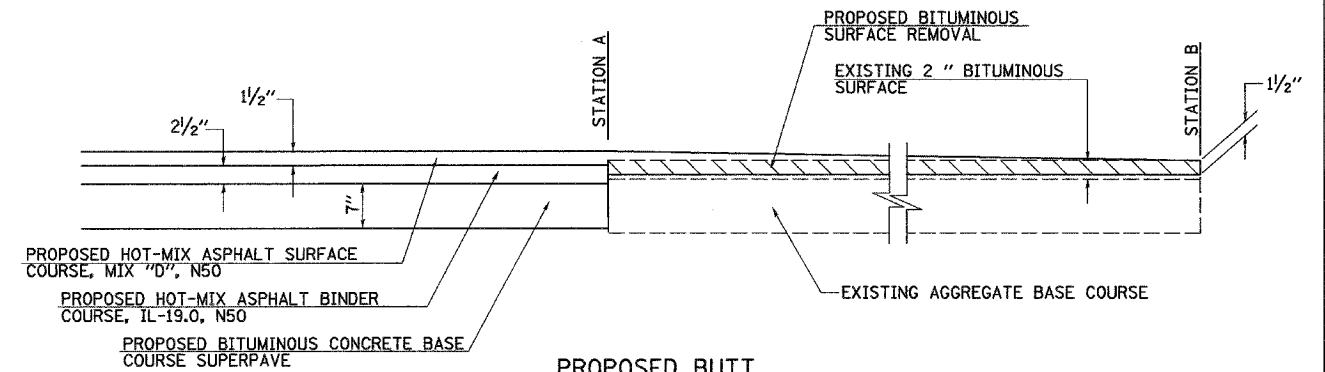


DETAIL OF LOWERING WATERMAIN



NOTE: ALL ITEMS REQUIRED FOR CONNECTING SUB-SURFACE DRAINS TO PROPOSED DRAINAGE STRUCTURES SHALL BE CONSIDERED INCLUDED IN THE COST OF CONSTRUCTION THE PROPOSED DRAINAGE STRUCTURE.

DETAIL OF CONNECTING SUB-SURFACE DRAINS TO PROPOSED DRAINAGE STRUCTURES



PROPOSED BUTT JOINT DETAIL

LOCATION	STATION A	STATION B
LINCOLN	482+15.69	481+95.69
MICHIGAN	100+68.46	101+65.00

REVISIONS	
NAME	DATE

ILLINOIS DEPARTMENT OF TRANSPORTATION

SPECIAL DETAILS

DATE JULY, 2006

DRAWN BY JMO
CHECKED BY JRB