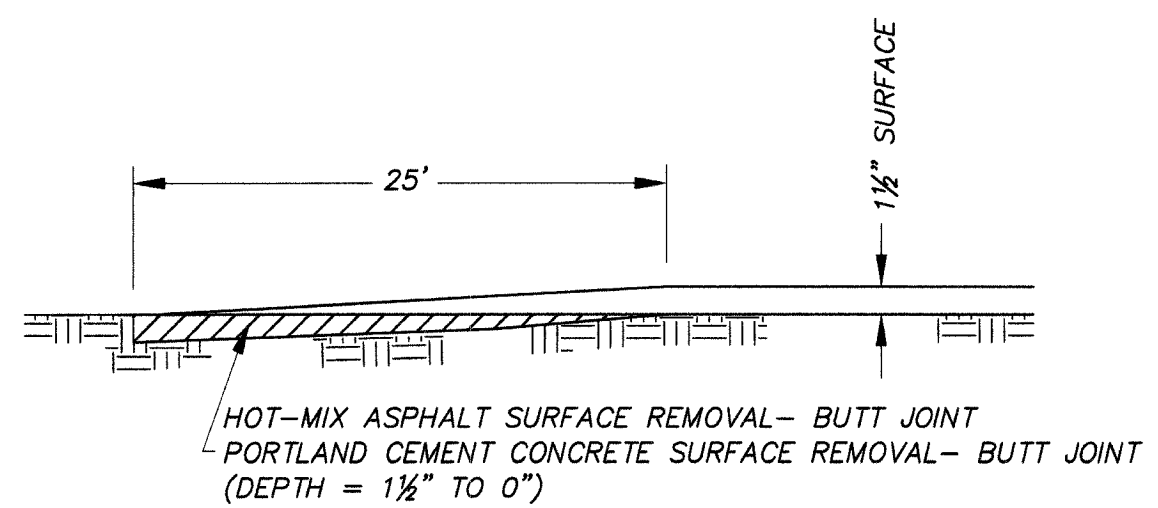
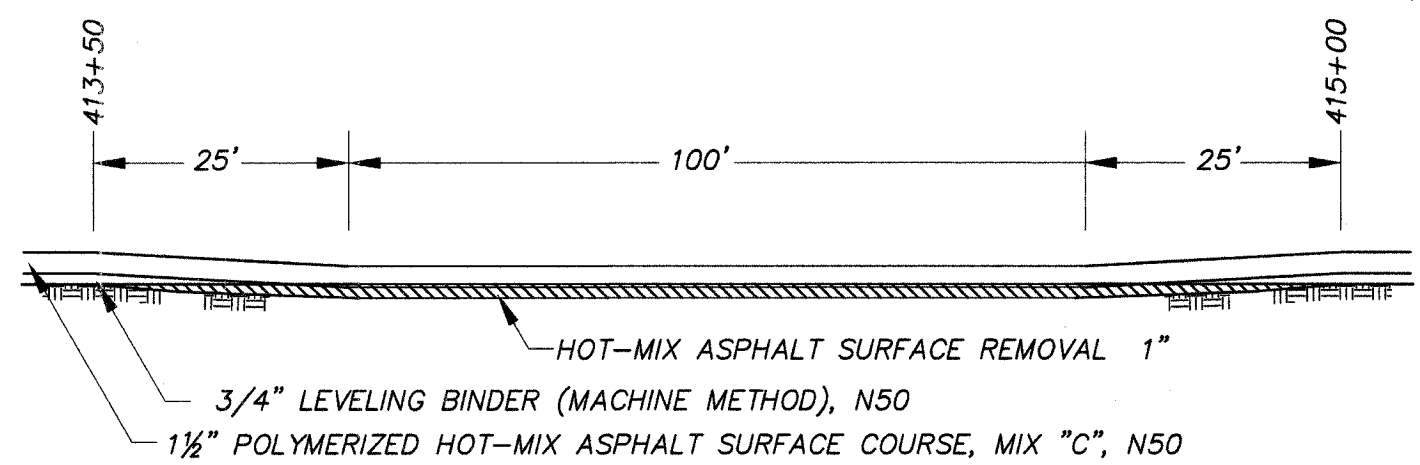


COUNTY	ROUTE	SECTION	TOTAL SHEETS	SHEET NO.
ADAMS	FAS 2599	06-00199-00-RS	13	13
BUTT JOINT DETAIL				
SIDE ROAD & ENTRANCE DETAILS				
PROJECT NO. RS-2599(103)				

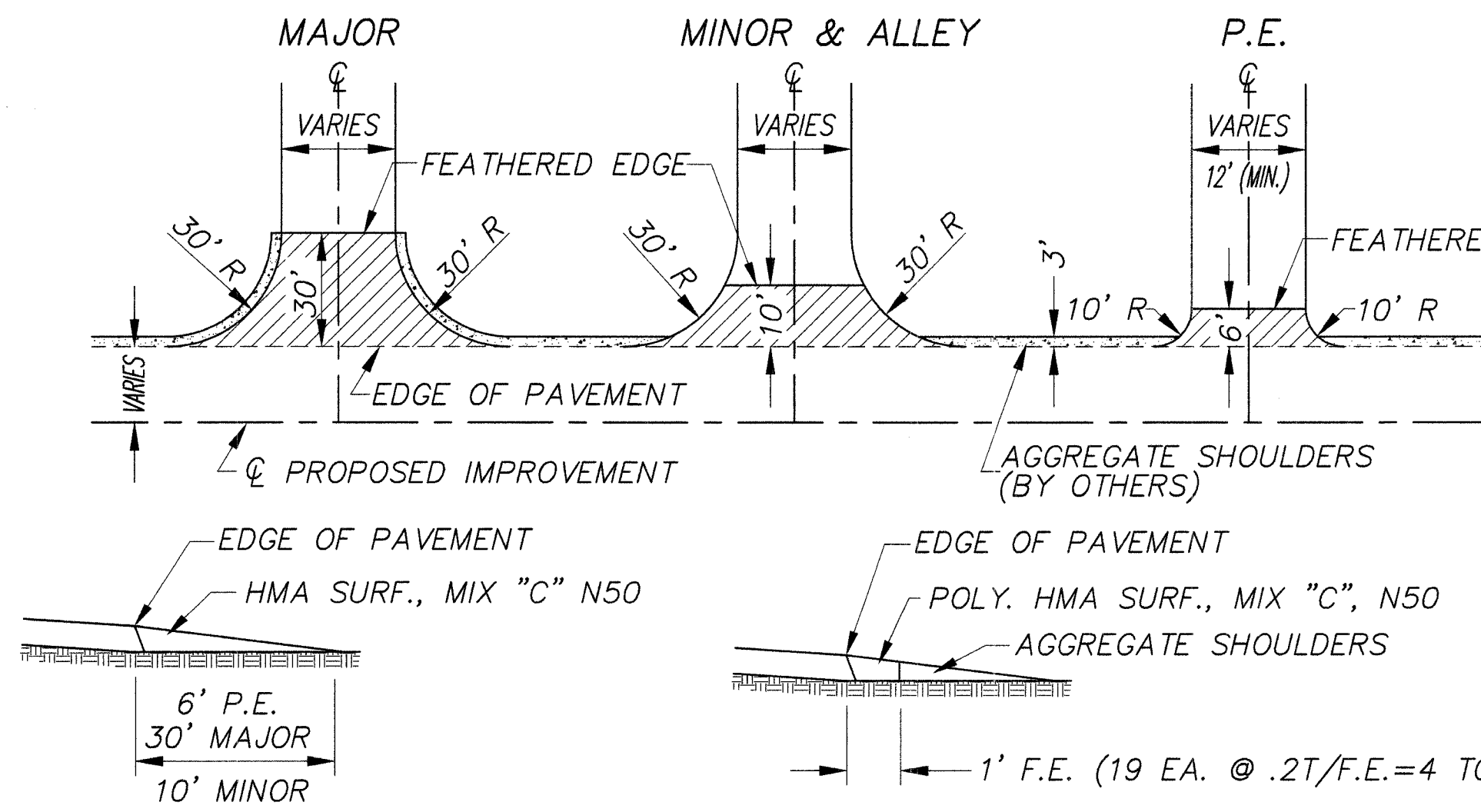
BUTT JOINT DETAIL



BITUMINOUS SURFACE REMOVAL



INTERSECTION DETAILS



SCHEDULE - HMA SURFACE., MIX "C", N50

	NO.	TONS/	TONS
PE	8	2	16
CE	0	9	0
MINOR ROAD	1	9	9
MAJOR ROAD	0	15	0
MAILBOXES	3	3	9
TOTAL			34