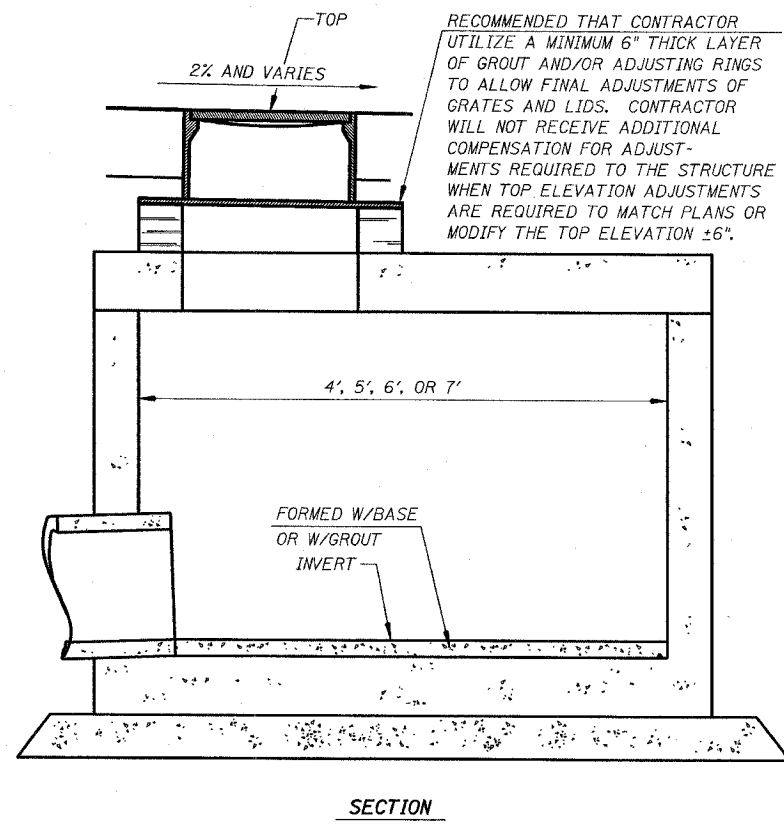
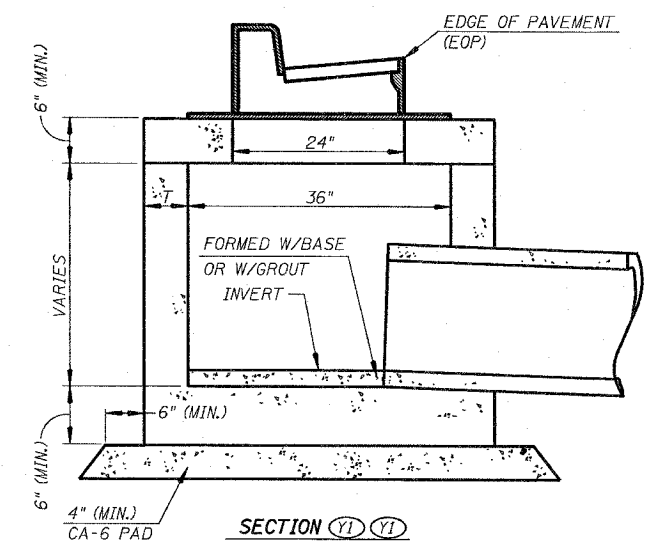
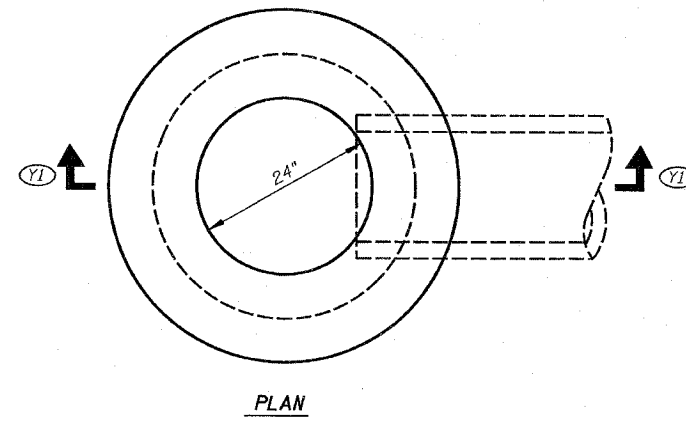
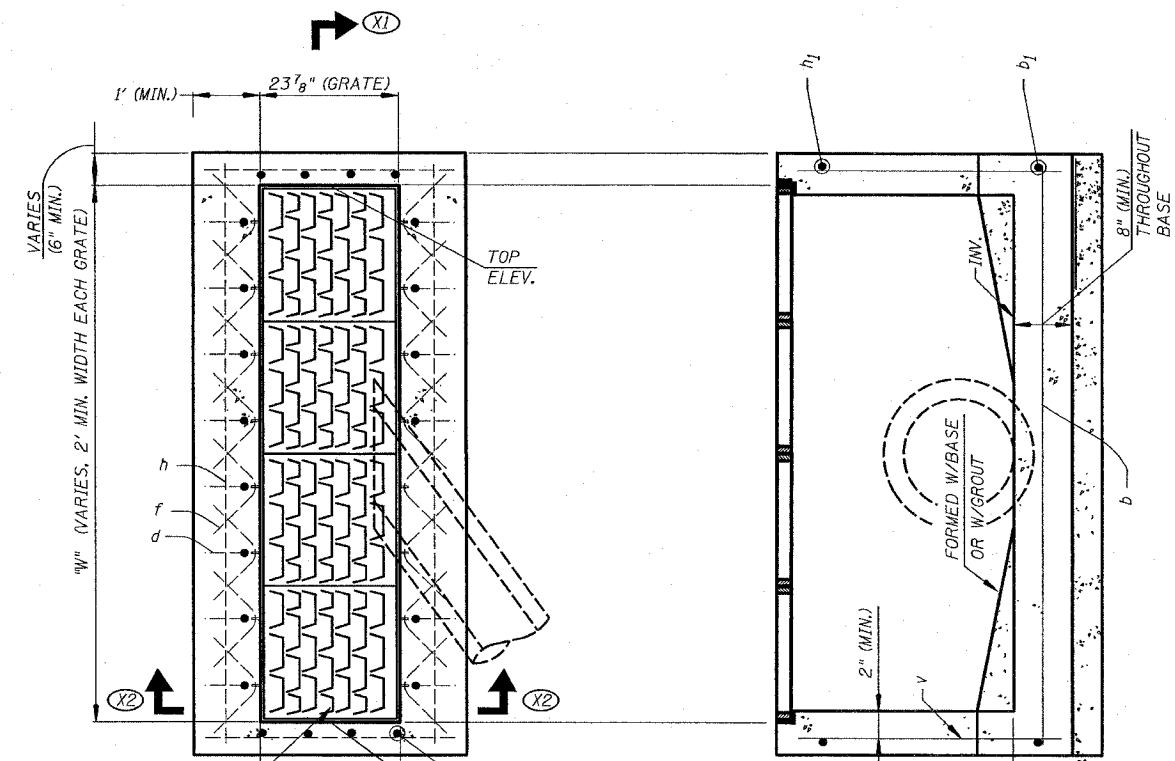


F.A. ILL. RTE.	SECTION	COUNTY	TOTAL SHEETS	SHEET NO.
8419	99-00048-01-PV	FAYETTE	142	58
STA.		TO STA.		
FED. ROAD DIST. NO.	ILLINOIS	FED. AID PROJECT		
CONTRACT NO. 95500				



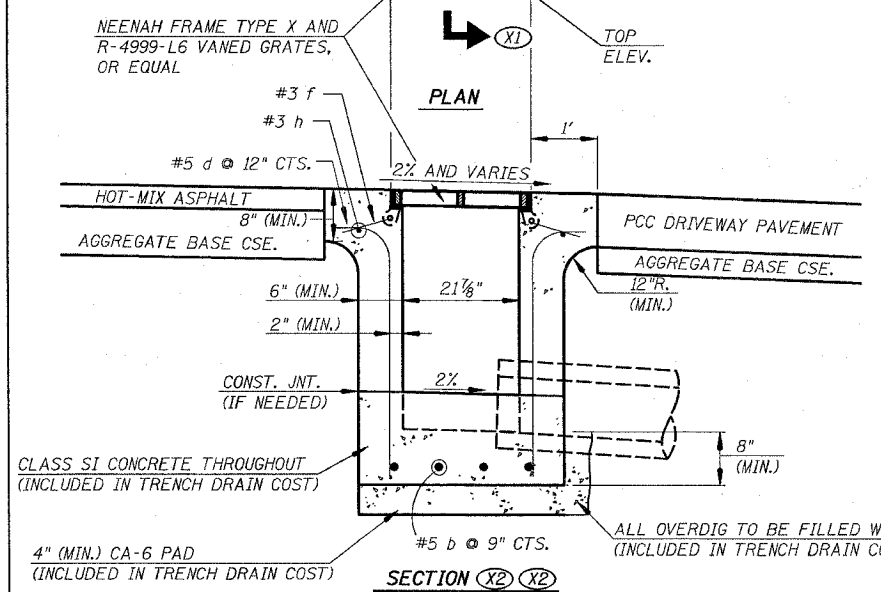
RECOMMENDED THAT CONTRACTOR UTILIZE A MINIMUM 6" THICK LAYER OF GROUT AND/OR ADJUSTING RINGS TO ALLOW FINAL ADJUSTMENTS OF GRATES AND LIDS. CONTRACTOR WILL NOT RECEIVE ADDITIONAL COMPENSATION FOR ADJUSTMENTS REQUIRED TO THE STRUCTURE WHEN TOP ELEVATION ADJUSTMENTS ARE REQUIRED TO MATCH PLANS OR MODIFY THE TOP ELEVATION ±6".

RESTRICTED DEPTH MANHOLE DETAILS

(SEE ALSO APPLICABLE SECTIONS OF SECTION 602 OF THE STANDARD SPECIFICATIONS)

INLET, TYPE B DETAILS

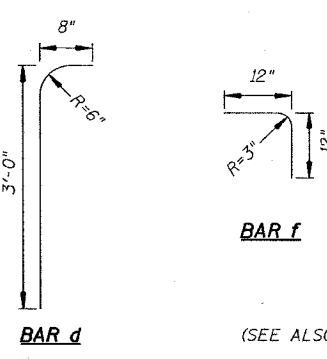
(CONTRACTOR MAY OPT TO USE THIS DETAIL TO MODIFY STANDARD 602306 OR STANDARD 602306 ITSELF, WHEN THE DEPTH IS ADEQUATE FOR A CORBEL)



BILL OF MATERIAL

BAR	NO.	SIZE	LENGTH	SHAPE
b	4	#5	8'-8"	—
b ₁	2	#5	2'-8"	—
d	14	#5	3'-6"	—
f	16	#3	1'-11"	—
h	2	#3	8'-2"	—
h ₁	2	#3	3'-8"	—
v	8	#5	3'-2"	—
REINFORCEMENT BARS				POUND
				141

NOTES:
COST OF REINFORCEMENT BARS TO BE INCLUDED IN COST OF TRENCH BOX.
WIRE TIE ALL BAR CROSSINGS.



TRENCH DRAIN DETAILS
(SEE ALSO MANUFACTURER'S RECOMMENDATIONS)

REVISIONS	
NAME	DATE

ILLINOIS DEPARTMENT OF TRANSPORTATION

STORM SEWER DETAILS

SCALE: VERT. HORIZ.
DATE

DRAWN BY KOJ
CHECKED BY BWC

CADD FILE: 4812/ss_details_02.dgn
PLOTED: 3/15/2007

H.M. & G. NO. 4812