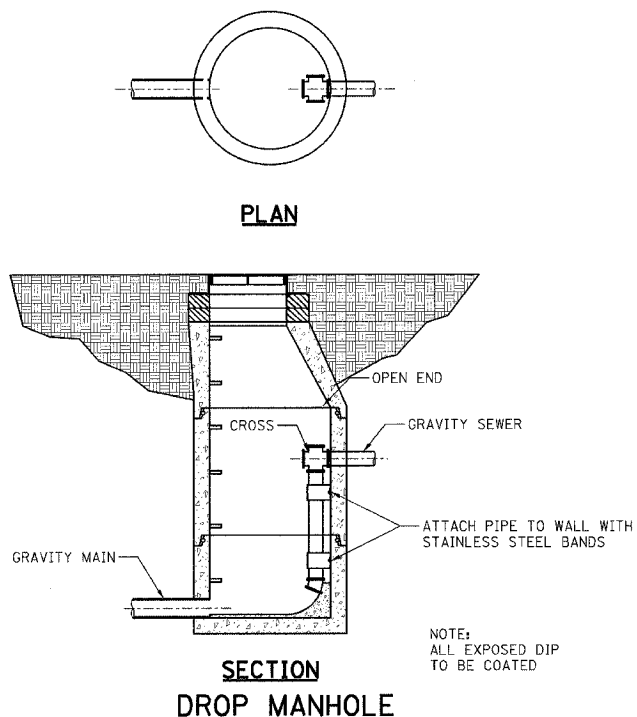


F.A. L. RTE.	SECTION	COUNTY	TOTAL SHEETS	SHEET NO.
8419	99-00048-01-PV	FAYETTE	142	73
STA.		TO STA.		
FED. ROAD DIST. NO.	ILLINOIS	FED. AID PROJECT		
CONTRACT NO. 95500				

GENERAL NOTES:

1. ALL EXCAVATION SHALL BE KEPT DEWATERED DURING CONSTRUCTION OPERATIONS UNTIL BACKFILL IS IN PLACE.
2. ALL WORK WILL BE DONE IN ACCORDANCE WITH "STANDARD SPECIFICATIONS FOR WATER AND SEWER MAIN CONSTRUCTION IN ILLINOIS," CURRENT EDITION.
3. SANITARY SEWER PIPE SHALL MEET ASTM D3034 AND SHALL BE TYPE SDR 35, 8" NOMINAL DIAMETER WITH INTEGRAL BELL AND ELASTOMERIC GASKETS MEETING ASTM D3212 AND ASTM F477. UNLESS OTHERWISE NOTED.
4. BACKFILL SHALL MEET STANDARD SPECIFICATIONS FOR WATER AND SEWER MAIN CONSTRUCTION IN ILLINOIS AND SHALL BE CA-15, CA-16, CM-15 OR CM-16 FOR BEDDING (BEDDING CLASS I AS PER ASTM D2321) AND SELECT GRANULAR MATERIAL EXCEPT THAT THE TOP 12 INCHES SHALL BE CA-6, WHERE SELECT GRANULAR MATERIAL IS REQUIRED.
5. WATER AND SEWER MAIN SEPARATION WILL BE PER "STANDARD SPECIFICATIONS FOR WATER AND SEWER MAIN CONSTRUCTION IN ILLINOIS," CURRENT EDITION.
6. AIR TESTING AND DEFLECTION TESTING SHALL BE PERFORMED ACCORDING TO "STANDARD SPECIFICATIONS FOR WATER AND SEWER MAIN CONSTRUCTION IN ILLINOIS," SECTION 31-1.11.



SECTION DROP MANHOLE

THRUST BLOCK DIMENSIONS											
D	A	B	C	E	F	G	H	J	K	L	
4" & 6"	8"	11"	1'-3"	8"	8"	8"	3"	2'-6"	2'-6"	3'-0"	
8"	9"	1'-2"	1'-8"	9"	10"	9"	3"	3'-0"	2'-9"	4'-0"	
10"	10"	1'-6"	2'-1"	10"	1'-0"	1'-0"	3"	4'-0"	3'-0"	4'-6"	
12"	1'-0"	1'-8"	2'-6"	11"	1'-3"	1'-0"	3"	4'-6"	3'-6"	4'-9"	
16"	1'-2"	2'-4"	3'-4"	1'-3"	1'-8"	1'-4"	4"	5'-2"	4'-0"	6'-6"	
20"	1'-3"	3'-0"	4'-2"	1'-6"	2'-1"	1'-9"	4"	5'-6"	4'-9"	8'-0"	
24"	1'-4"	3'-6"	5'-0"	1'-8"	2'-6"	2'-0"	5"	6'-0"	5'-6"	9'-6"	

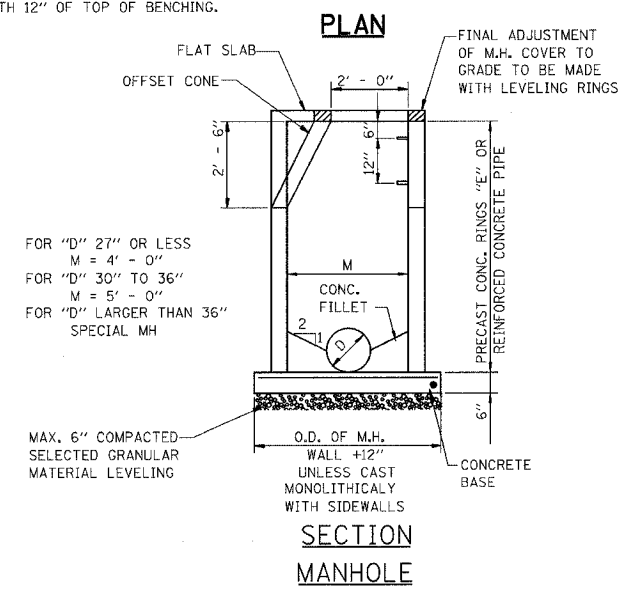
MINIMUM REQUIRED BEARING DIMENSIONS.

#5 REINFORCING IN 7" SLAB ON SHALLOW MANHOLES WHERE CONE IS OMITTED.

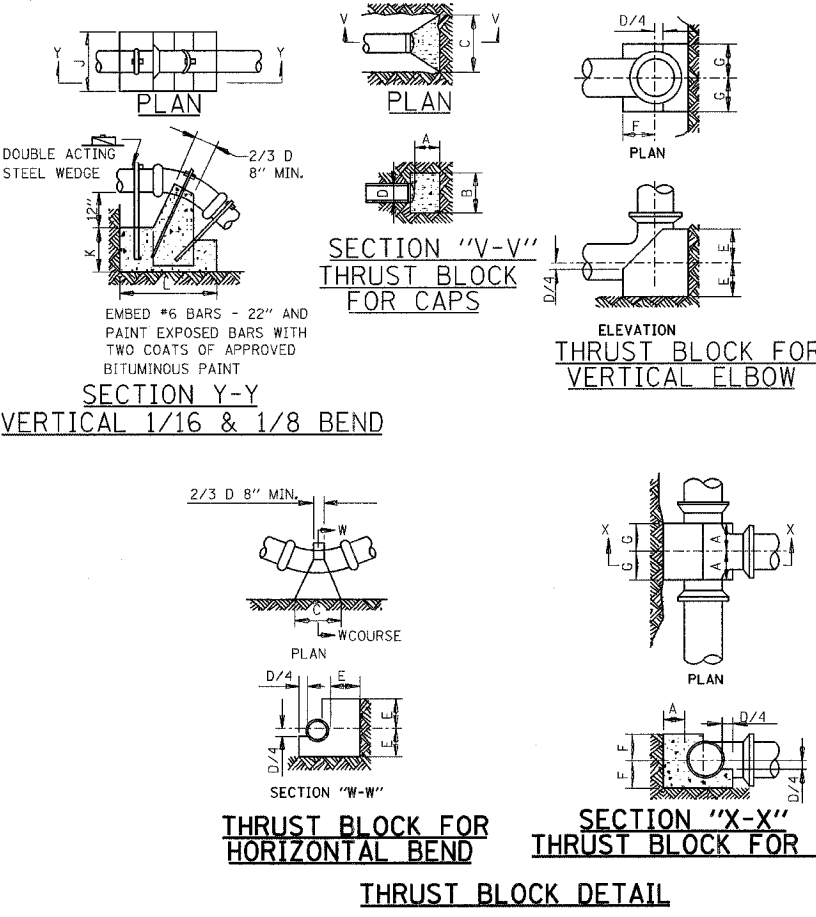
THE CONE IS OMITTED AND A SLAB, AS SHOWN, IS USED WHEN THE E DIMENSION IS LESS THAN:

EFFLUENT E	SEWER
5' - 0"	8"
5' - 2"	10"
5' - 4"	12"
5' - 7"	15"
5' - 10"	18"

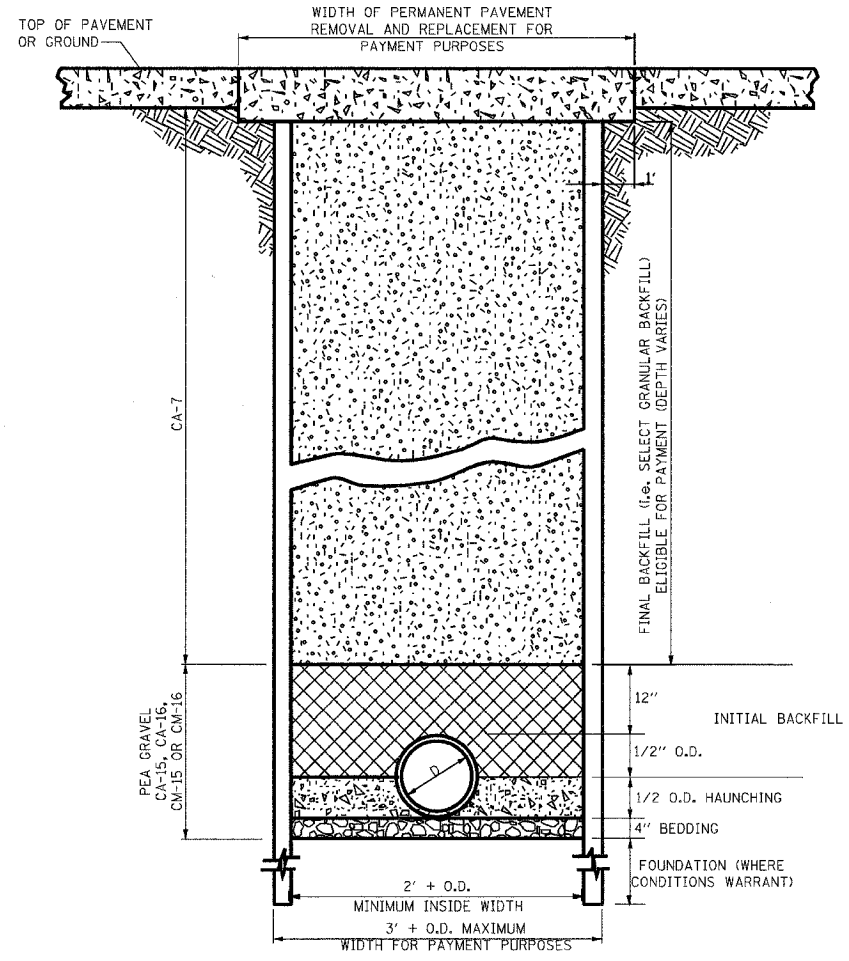
NOTE: SEE SPECS. FOR FRAME COVER AND STEPS. MANHOLE STEPS SHALL BE PROVIDED TO WITH 12" OF TOP OF BENCHING.



SECTION MANHOLE



THRUST BLOCK DETAIL



- BEDDING**
BEDDING PER SPECIFICATIONS REQUIRED IN ALL LOCATIONS WHERE SEWER IS WITHIN TWO (2) FEET OF A PERMANENT SURFACE. CASE I BACKFILL FREE FROM ORGANICS AT ALL OTHER LOCATIONS. (INCLUDED IN THE COST OF PIPE)
- HAUNCHING**
HAUNCHING PER SPECIFICATIONS REQUIRED IN ALL LOCATIONS WHERE SEWER IS WITHIN TWO (2) FEET OF A PERMANENT SURFACE. CASE I BACKFILL FREE FROM ORGANICS AT ALL OTHER LOCATIONS. (INCLUDED IN THE COST OF PIPE)
- INITIAL BACKFILL**
INITIAL BACKFILL PER SPECIFICATIONS REQUIRED IN ALL LOCATIONS WHERE SEWER IS WITHIN TWO (2) FEET OF A PERMANENT SURFACE. CASE I BACKFILL FREE FROM ORGANICS AT ALL OTHER LOCATIONS. (INCLUDED IN THE COST OF PIPE)
- FINAL BACKFILL**
SELECT GRANULAR BACKFILL PER SPECIFICATIONS REQUIRED IN ALL LOCATIONS WHERE THE EDGE OF THE SEWER TRENCH IS LOCATED WITHIN TWO (2) FEET OF A PERMANENT SURFACE (ELIGIBLE FOR PAYMENT). CASE I BACKFILL FREE FROM ORGANICS AT ALL OTHER LOCATIONS

TRENCHING DETAIL

REVISIONS	
NAME	DATE

ILLINOIS DEPARTMENT OF TRANSPORTATION

TYPICAL SEWER DETAILS

SCALE: VERT. HORIZ. DATE

DRAWN BY KOJ CHECKED BY BWC

CADD FILE: /4812/5005/Details.dgn PLOTTED: 01/23/2007

H.M. & G. INC. 4812